

Palisade Cooler Wheel Kit Assembly Instructions

IMPORTANT:

Make sure you have the correct size – check the box printing. Palisade Wheel Kits are two sizes only, 45qt and 65qt. They are size specific and not interchangeable.

1. INSTALL AXLES: Insert the threaded end of the axle into the body. Secure it with a flat washer, lock washer & screw using the included 4mm hex wrench (lock washer against the screw head) (**Fig.1**).

- Use an adjustable wrench on the axle flats to prevent the axle from spinning while tightening.
- Repeat on the other side.

2. INSTALL WHEELS: Slide the wheel onto the axle until it stops. Slide a flat washer onto the axle and against the wheel, insert cotter pin into small hole on the end of the axle, push onto axle as shown – using pliers in necessary (**Fig.2**).

3. THREAD LONG STRAP: Pass the Long Strap through the holes in the platform as shown (**Fig.3**). Pull the strap end (non-buckle) until the cam-lock buckle is approximately half to two-thirds up the side opposite the platform. Keep the strap flat.

4. MOUNT COOLER & SECURE LONG STRAP: Place your cooler on the platform and center it between the wheels. Check that the drain plug is centered (**Fig. 4**).

- Pull the strap end (non-buckle) up and through the center tie-down slot in the cooler rim.
- Route the strap end down through the cam-lock buckle and pull until tight. Keep straps flat.
- Make sure the rope handle is free for lifting/pulling.
- Secure excess strap with the hook-n-loop retainer.

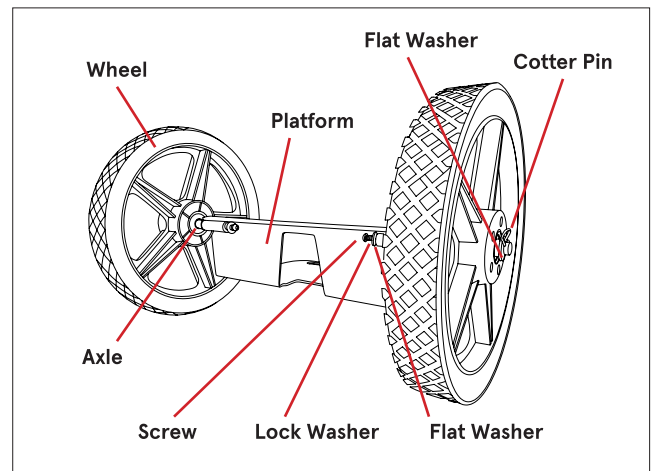
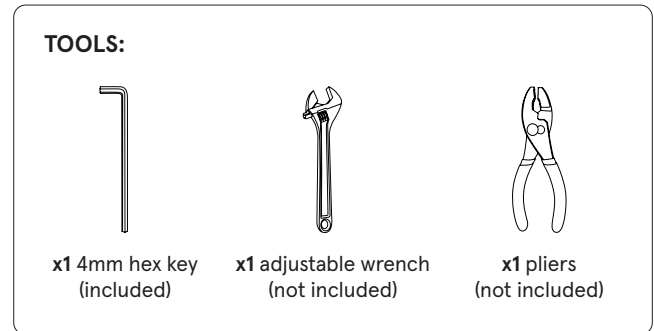


Fig 1.

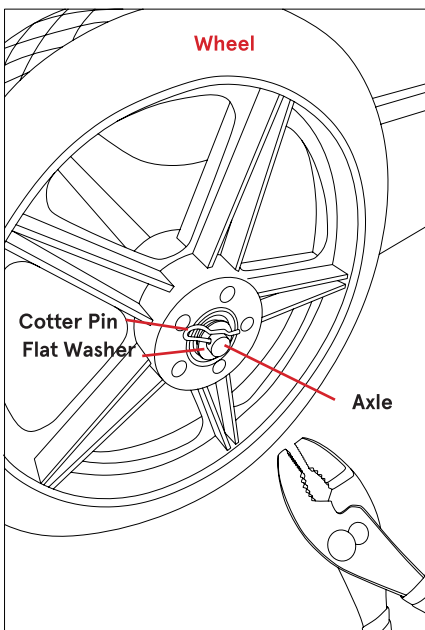
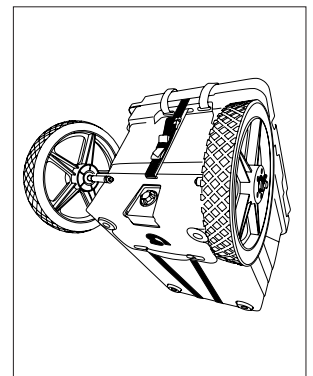
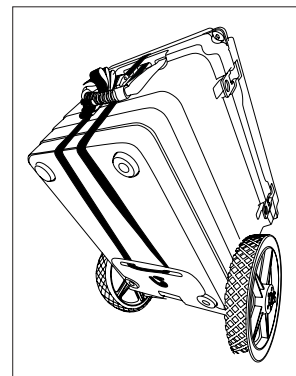
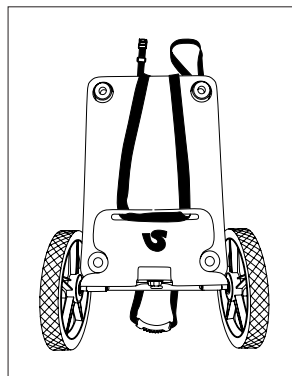


Fig 2.

5. INSTALL SHORT STRAP: From the platform end, route the strap end (non-buckle) upward through the center slot in the platform then up through the center tie-down slot in the cooler rim.

- Route the strap-end through the cam-lock buckle and pull until tight (**Fig.5**). Keep the straps flat.
- Secure excess strap with the hook-n-loop retainer.



⚠ WARNINGS:

- CHECK BEFORE EACH USE. Ensure the cooler is tightly secured to the Wheel Kit platform with both straps.
- NO RIDES. This is not a toy. Do not give kids rides. Not for jumping from or playing on.
- NOT FOR COMMERCIAL USE. Not intended for rental companies.
- SECURE FOR TRANSPORT. If Wheel Kit is installed, make sure your cooler is secured in your vehicle, so it does not shift suddenly.