

## Installation Guide

# HEATH TABLE LAMP

---

Thoughtful lighting, responsibly designed in London.

Thank you for making the switch to Tala.  
Discover the full Tala family at [talalighting.com](http://talalighting.com)

---

### BEFORE STARTING

Please read instructions thoroughly before installation and keep them for future reference. Please take extreme care when dealing with electrical equipment.

### IMPORTANT

Bulb must be installed in fixture before turning on.

### WARNING

Ensure power is turned OFF before inserting plug.

### CARE AND CLEANING

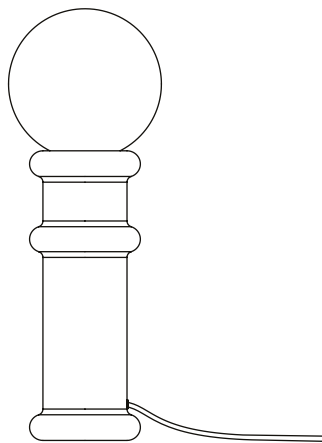
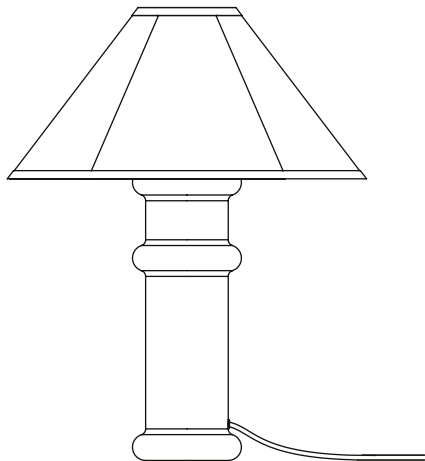
We recommend cleaning with a soft dry cloth. Do not use abrasive materials as these will damage the finish of the product. Do not use alcohol or other solvents.

### WARRANTY AND AFTER-CARE

This product has a two-year warranty. If there appears to be a functional defect with the product during this time, please contact our team at [hello@tala.co.uk](mailto:hello@tala.co.uk).

Please note, the flexible cable attached to this luminaire cannot be replaced; if the cable is damaged, recycle the luminaire and seek a replacement.

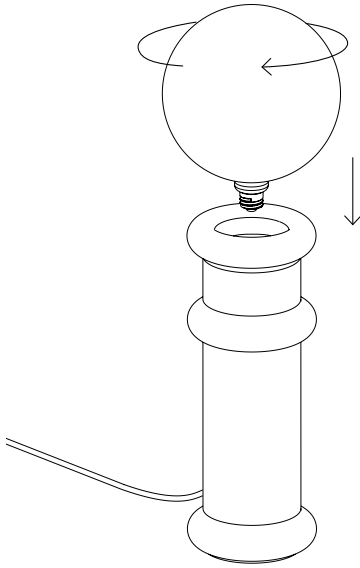
---



### WITHOUT SHADE ASSEMBLY

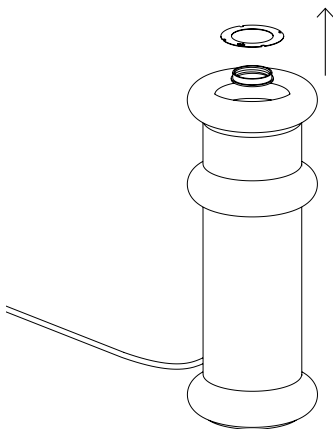
Insert the bulb into the lampholder and rotate clockwise until secure.

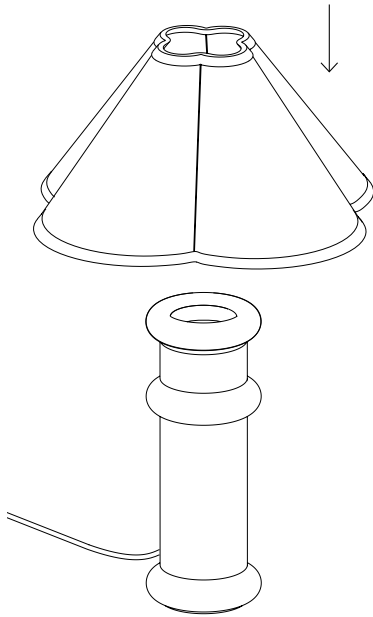
Take care not to tighten too much to avoid breakage.



### SHADE ASSEMBLY

Remove the brass disk and the top shade ring.

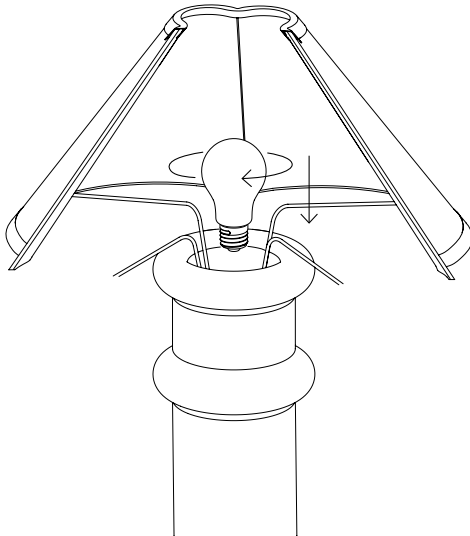
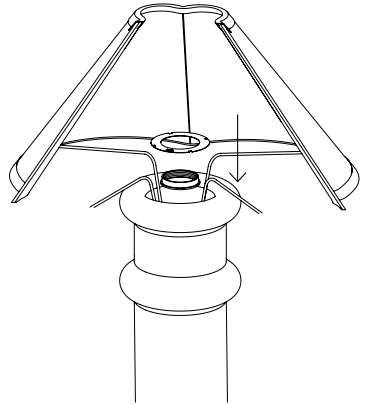




### SHADE ASSEMBLY

Place the shade onto the lamp and secure with the shade ring.

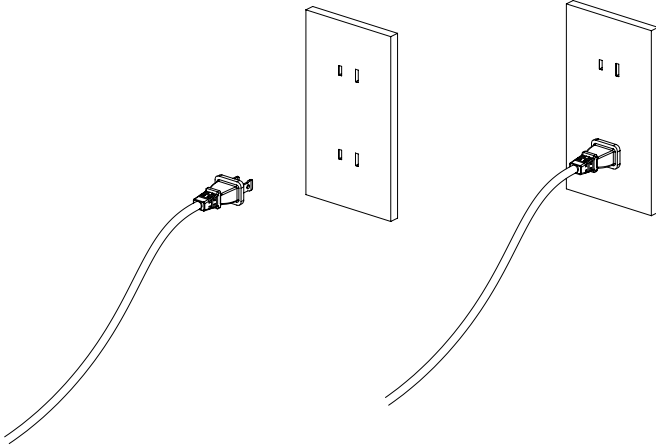
Place the brass disk on top



### SHADE ASSEMBLY

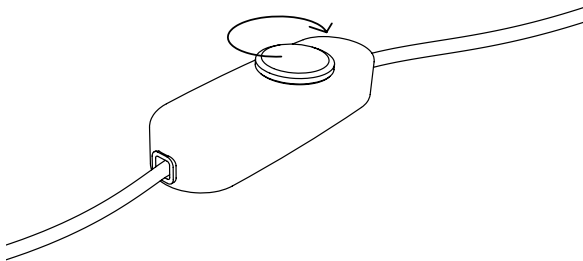
Remove the brass disk and the top shade ring.

Insert the lamp plug into your chosen wall socket, making sure the power is switched off.



Switch the power on and rotate the dial on your dimmer until the bulb lights up.

Adjust the dimmer for your desired light output.



## CARE AND CLEANING

We recommend cleaning with a soft dry cloth.

Do not use abrasive materials as these will damage the finish of the product. Do not use alcohol or other solvents.

## WARRANTY AND AFTER-CARE

This product has a two-year warranty. If there appears to be a functional defect with the product during this time, please contact our team at [hello@tala.co.uk](mailto:hello@tala.co.uk).

## IMPORTANT SAFETY INSTRUCTIONS

This portable lamp has a polarized plug (one blade is wider than the other) as a safety feature to reduce the risk of electric shock. This plug will fit in a polarized outlet only one way. If the plug does not fit fully in the outlet, reverse the plug. If it still does not fit, contact a qualified electrician. Never use with an extension cord unless plug can be fully inserted. Do not alter the plug.

## INSTRUCTIONS DE SÉCURITÉ IMPORTANTES

Cette lampe portative a une fiche polarisée (une lame est plus large que l'autre) comme fonction de sécurité afin de réduire le risque de choc électrique. Cette fiche entrera dans une prise de courant polarisée dans une seule direction. Si la fiche n'entre pas complètement dans la prise, inversez la fiche. Si cela ne fonctionne toujours pas, contactez un électricien agréé. N'utilisez jamais de rallonge à moins que la fiche ne soit insérée entièrement. Ne modifiez pas la fiche.

---

This device complies with Part 15 of the FCC Rules and has been tested and found to comply with the limits for Class B digital device. Operation is subject to the following two conditions: (1) this device may not cause harmful interference, and (2) this device must accept any interference received, including interference that may cause undesired operation.

Cet appareil est conforme à l'article 15 des règles FCC et a été testé et déclaré conforme aux limites des appareils numériques de classe B. Son utilisation est soumise aux deux conditions suivantes: (1) ce produit peut causer des interférences nocives, et (2) cet appareil doit accepter toute interférence reçue, y compris les interférences pouvant provoquer un fonctionnement indésirable.

Any changes or modifications to this unit not expressly approved by the party responsible for compliance could void the user's authority to operate the equipment.  
Tout changement ou modification non expressément approuvé par le fabricant peut annuler l'autorité de l'utilisateur à utiliser l'équipement.

## Join the Community

Instagram: [@tala](#) | Facebook: [talaHQ](#) | Pinterest: [TalaLED](#) | Tag: [lighttoliveby](#)  
Tala Studios, 25B Vyner Street, London E2 9DG | [hello@tala.co.uk](mailto:hello@tala.co.uk)  
Tala North America Inc. C/O LH Frishkoff & Company, 546 5th Avenue, FL 9,  
NY 10036, United States