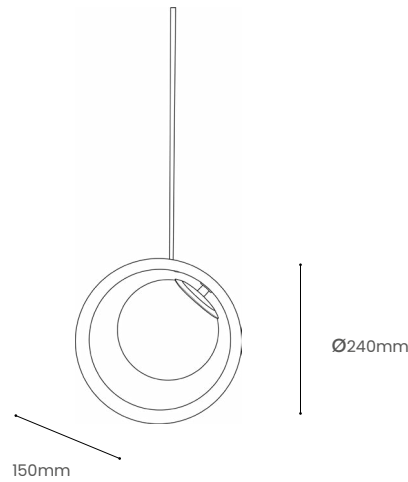


# LOER PENDANT SMALL

## Product Specification

Tom Raffield






Loer Pendant Small



Inspired by the elliptical orbits of the planets and moons that line the inner edges of our vast solar system, the Loer Lighting Range brings weightless illumination to any space it reaches. Combining a beautiful translucent glass sphere, sustainable steam bent ash wood and brushed metallic brass, the Loer showcases minimal, nature-inspired design at its finest.

Meaning 'Moon' in Cornish, the Loer Pendant Small showcases a translucent glass orb with clouded bands of warm celestial white light which suspends within a sleek halo of supple ash wood. Held in place by brass detailed fixings that reflect the soft illustrious glow of the spherical globe when illuminated, the opulent Loer Pendant Small looks equally as eye-catching when switched off. This contemporary wooden light is suited to an array of interiors and property styles and looks particularly striking suspended in self-curated clusters.

Illuminate space. Seek the extraordinary.

| Product Type :<br>Pendant Cluster | SKU   | Wood types  | Dimensions L x W x H (mm)   |  | Weight (kg)  |       |
|-----------------------------------|---|---|---|--|--|-------|
|                                   |   |   | Unboxed   | Boxed                                  | Unboxed  | Boxed |
| Loer Pendant Small                | TR-LOER-P-A-SML   | Ash   | Ø240 x 150  | 220 x 530 x 220                        | 1.2  | 2.2   |
| Materials                         | Ash    |   |   |  | Other materials<br>Glass diffuser <br>Brass bulb holder  |       |
| Finish                            | Non-toxic, hard wearing water based varnish - satin   |   |   |  |  |       |
| Ceiling kit options               | Brushed brass ceiling rose and bulb holder   | Ceiling kit<br>Ceiling rose: Ø100mm<br>E27 (240v) | Flex<br>Flex colour: gold <br>Flex length: 2m (Adjustable) | Recommended light bulb<br>Max 9.5W LED |  |       |
| Care information                  | Dusting your light regularly and with a light feather duster should keep your light looking clean, otherwise wipe with a damp cloth and remove any moisture with a dry cloth. Gentle furniture polishes can also be used. |   |   |  |  |       |
| Additional information            | <ul style="list-style-type: none"> <li>Suitable for use on 240v circuits.</li> <li>Installation instructions included.</li> </ul>   |   |   |  |  |       |