

## Installation Guide

# ROOT CHANDELIER

Thoughtful lighting, responsibly designed in London.

Thank you for making the switch to Tala.  
Discover the full Tala family at [talalighting.com](http://talalighting.com)

### BEFORE STARTING

We advise the fitting of our ceiling rose and pendant to be performed by a qualified electrician. Please read through these instructions before commencing work, and keep them for future reference. Please take extreme care when carrying out these instructions.

### IMPORTANT

This light fitting must be connected to the supply earth. If your lighting circuit does not have an earth, ask a qualified electrician to provide an earth facility. This light fitting is suitable for indoor use only. This fitting operates on 120V mains voltage. Please visit our website to see our recommended dimmers.

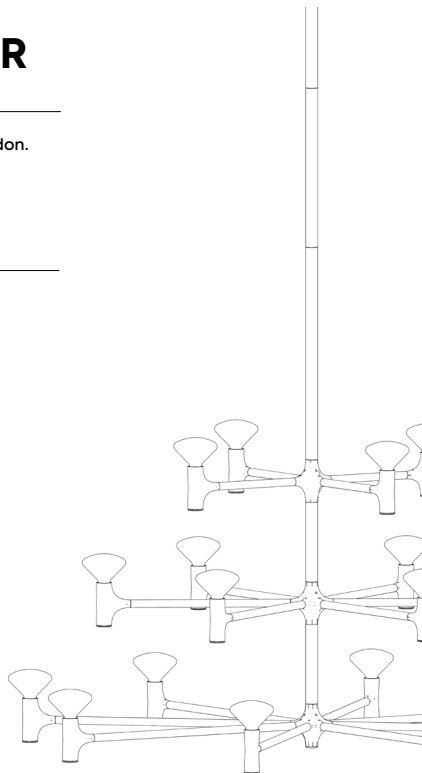
### WARNING

You must switch off electricity supply at the mains during installation and maintenance. We strongly recommend that you withdraw the fuse or switch off the circuit breaker whilst work is in progress. Do not only turn off the wall switch. All fittings must be installed in accordance with current Building Regulations and IEE Wiring Regulations.

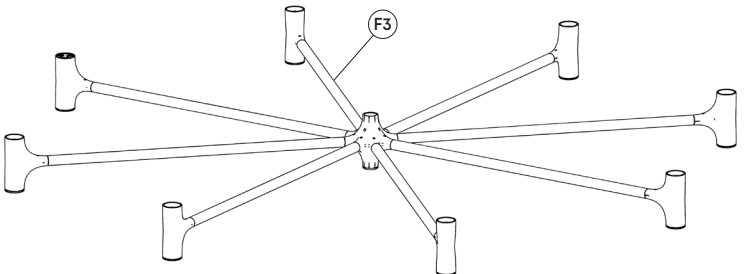
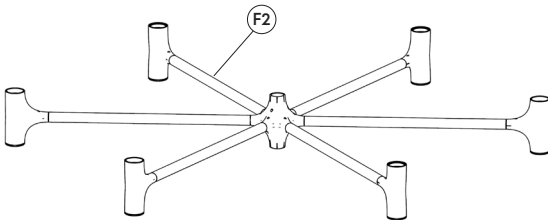
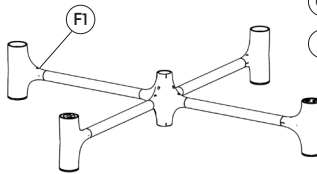
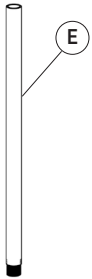
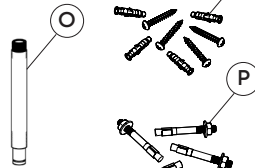
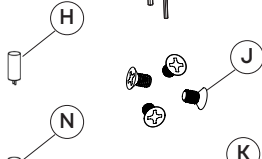
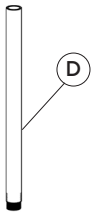
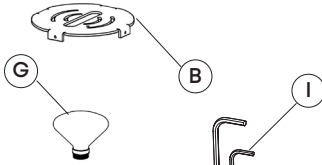
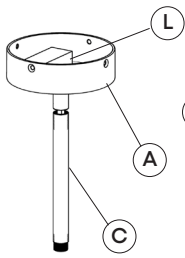
### RECOMMENDED EQUIPMENT

- Phillips head screwdriver
- Wire strippers

Further equipment may be required for fixing to your ceiling



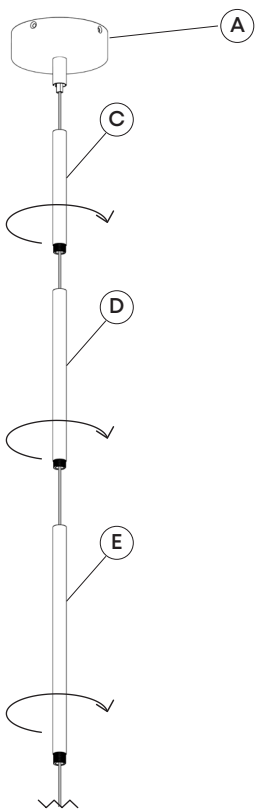
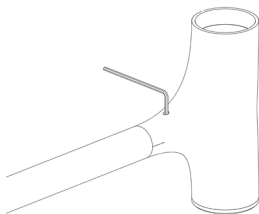
# Chandelier Components



- (A) x1 Ceiling Rose with Hang Straight
- (B) x1 Ceiling Bracket
- (C) 1 x 8" Rod
- (D) 1 x 12" Rod
- (E) 1 x 16" Rod
- (F1) (F2) (F3) Light Fixture
- (G) Glass Shades
- (H) G9 Light bulbs
- (I) 2 x Hex Keys
- (J) 4 x Bolts
- (K) Screws and rawl plugs
- (L) Driver
- (M) Magnets
- (N) Bottom Cap
- (O) Connecting Rod
- (P) Masonery fixing

## STEP 1

Using the Hex keys, check and tighten all the set screws (these may have become loose during transit)



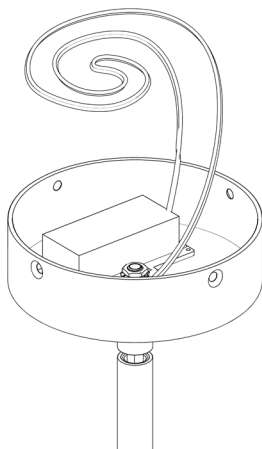
## STEP 2

Remove all packaging and screw the rods (F1) (F2) (F3) into each other to create the height required. Thread the power cable through each rod as you add them.

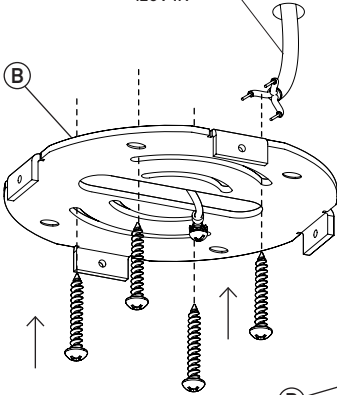
Additional 330mm rods can be used to increase the height. These can be purchased from [www.talalighting.com](http://www.talalighting.com)

A maximum of 11 additional rods can be installed per chandelier.

Once all rods have been added pull excess cable into the ceiling rose (A) and coil neatly.



Mains supply

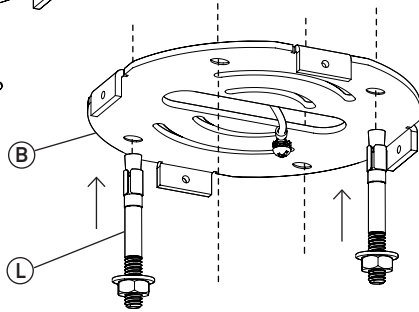


### STEP 3

Attach **(B)** to the ceiling using screws and plugs.

For concrete or other masonry installation, expandable bolts are provided.

Always choose screws and plugs that are appropriate for the ceiling.

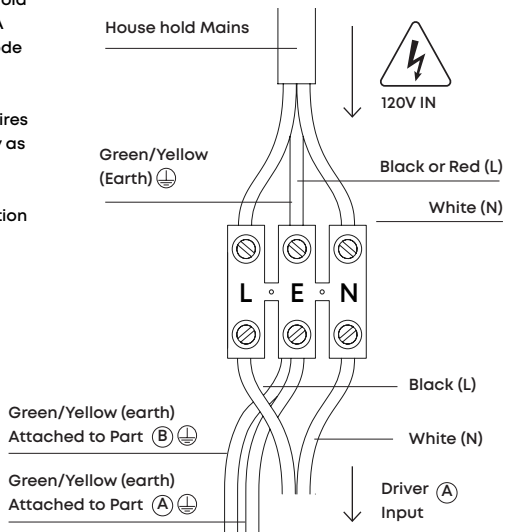


### STEP 4

First identify your household wiring using current NFPA 70, National Electrical Code (NEC).

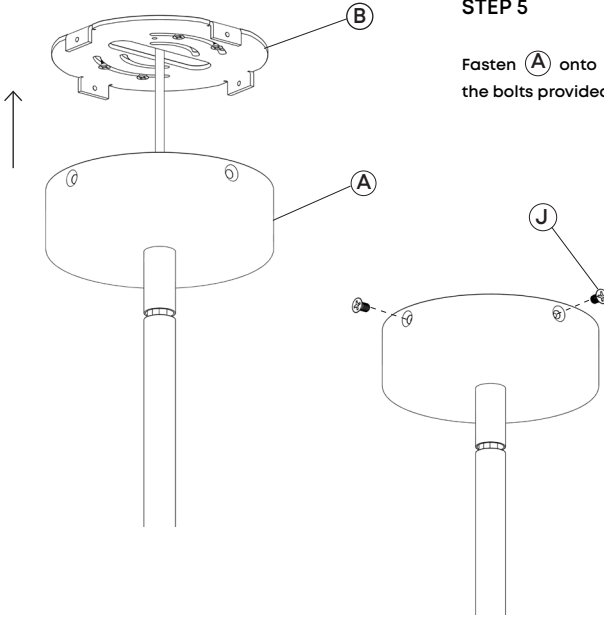
Attach the Driver input wires to your household supply as shown.

Use an appropriate junction box.



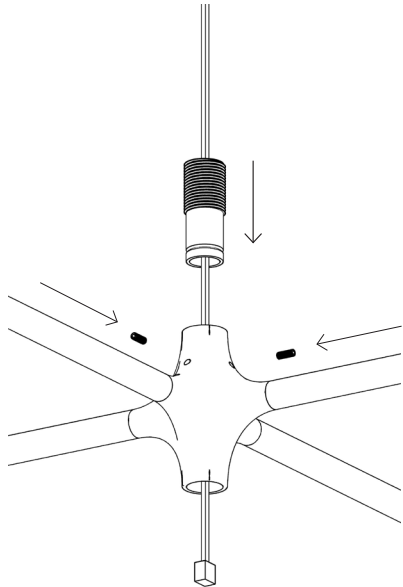
### STEP 5

Fasten **(A)** onto **(B)** using the bolts provided **(J)**.



### STEP 6

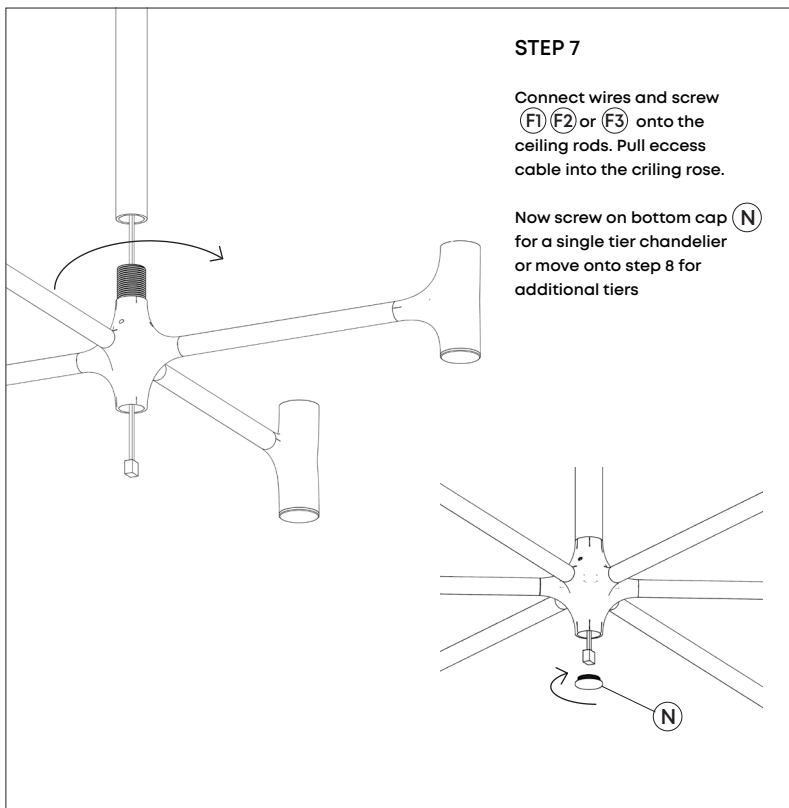
Attach joint onto the first tier of your chandelier using the set screws



## STEP 7

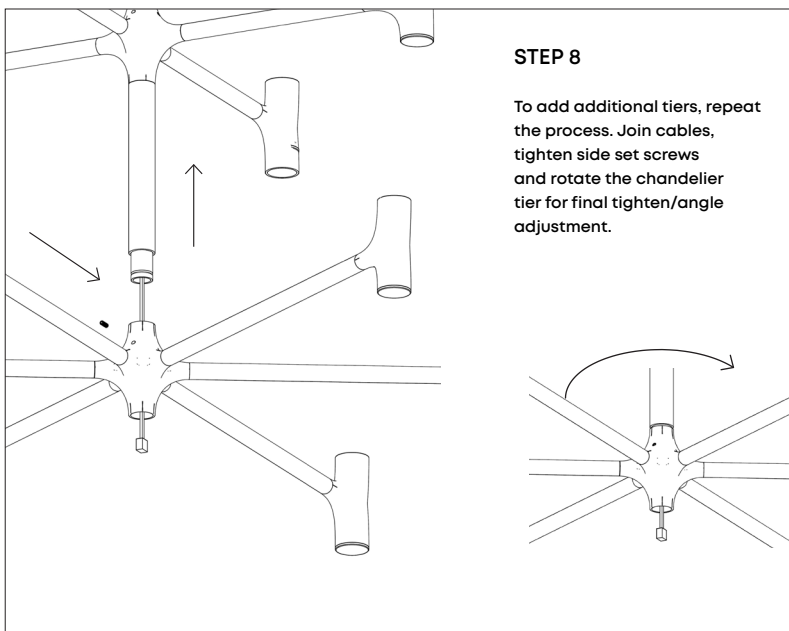
Connect wires and screw **F1**, **F2** or **F3** onto the ceiling rods. Pull excess cable into the criling rose.

Now screw on bottom cap **N** for a single tier chandelier or move onto step 8 for additional tiers



## STEP 8

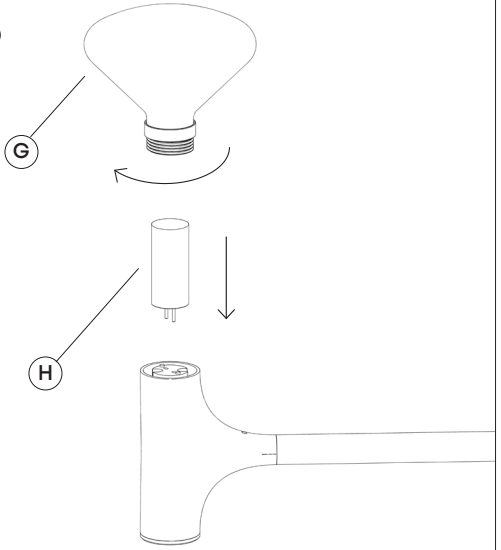
To add additional tiers, repeat the process. Join cables, tighten side set screws and rotate the chandelier tier for final tighten/angle adjustment.



## STEP 9

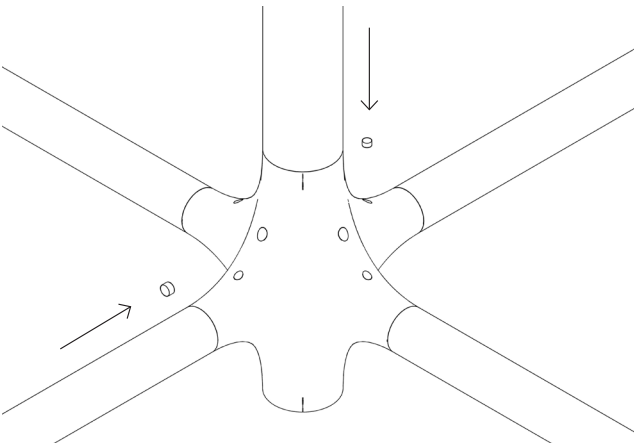
Push in the G9 Bulbs (H) using the pins.

Screw on the glass shades (G)



## STEP 10

Place magnets on-top of all visible set screws.




## WARRANTY AND AFTER-CARE

This product has a two-year warranty. If there appears to be a functional defect with the product during this time, please contact our team at [customerservice@tala.co.uk](mailto:customerservice@tala.co.uk).

Please note, if the cable attached to this fixture is damaged, it should only be replaced by qualified person.

---

This symbol  indicates that electrical and electronic equipment (WEEE) should not be mixed with general household waste.

For recovery and recycling, please take this product to a designated collection point where it will be accepted free of charge. Many retailers offer this in-store. Disposing of this product correctly will help save valuable resources and prevent any potential negative effects on human health and the environment.

### Join the Community

Instagram: @tala | Facebook: talaHQ | Pinterest: TalaLED | Tag: lighttoliveby  
Tala North America Inc. C/O LH Frishkoff & Company  
546 5th Avenue, FL 9, New York NY 10036, United States