

Dear customers

Thank you for purchasing a Karimoku Furniture product.
Please follow these assembly instructions after reading them closely.
Keep the instructions on hand for future reference.

<Contents>

Assembly instruction

- ① Parts list
- ② Steps to assemble the Spectrum Workstation Round

① Name of each part

- Tabletop × 1
- Legs × 4
- Lid × 1
- Bolts 40mm × 16
- Bolts 25mm × 8

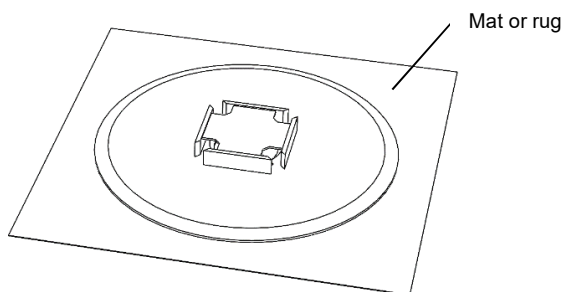
② Assembly of Legs and Tabletop

Attach the legs to the tabletop in the following procedure.



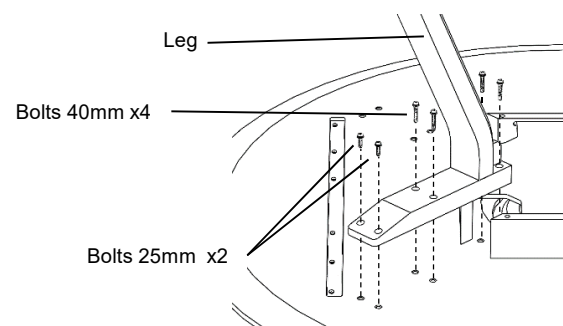
- CAUTION: Handle carefully when turning over the product to avoid injury or any damage.
- Choose a flat and smooth floor. Make sure to remove any sharp objects before placing the product.
- Use a protective mat or blanket to avoid damaging the floor surface and the product.
- Handle with 2 persons or more when turning over the table, to prevent scratching the floor or damaging the table itself.

① Place a mat or a blanket to protect the tabletop from scratches etc.

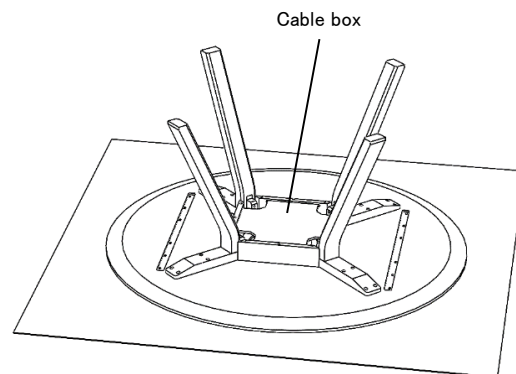


② Place the legs as shown in the drawing below and insert the bolts in the corresponding openings. Do not fully tighten each bolt until all parts are assembled in the proper position.

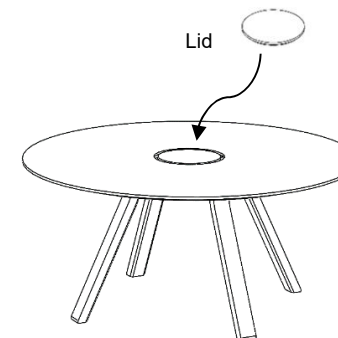
Once all screws are in the proper position, tighten them firmly.



③ Repeat step 2 and assemble all four legs.



④ Turn over the table and place the lid in the middle. The middle part is for cable management.



※CAUTION

Please do not expose the cable box or the lid to excessive weight to prevent damaging the table itself.

Max. load
Cable box: **5kg**
Lid : **5kg**