

Crosswing Mounts

Car Awning Accessories

KAMMOK

**Assembly & Mounting
Instructions**

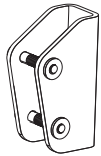
Table of Contents



Talon Mount Kit

Clamp Configuration.....Page 2

T-Slot Configuration.....Page 2



Vertical Brackets

Clamp Configuration.....Page 5

T-Slot Configuration.....Page 7



Basket Mount Kit

Clamp Configuration.....Page 9

Your Crosswing is carefully designed to be serviceable. Details Found on our website at kammok.com/crosswing-instructions.

1. In rare instances, you may need to add more tension to your Crosswing. Please reference the "Adjusting The Crosswing's Tension" section in the online instructions.

2. The fabric on your Crosswing Awning is replaceable if damaged or for future customization. Please reference the "Replacing The Crosswing's Fabric" section in the online instructions.

3. For replacement parts due to damage or malfunction, please contact our Customer Support Team at +1 512-399-1418.

**Adventure grade.
Better made.**

Designed in Austin, Texas | Made in China



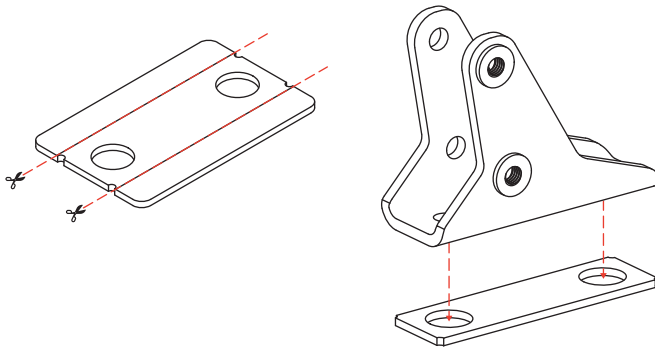
Flip for Instructions ►

WARNING: Kammok can only guarantee this mounting solution if using the included hardware. If additional hardware is used, please be careful to ensure the awning is secure and there is no risk of the hardware coming loose or failing.

Talon Mount Kit

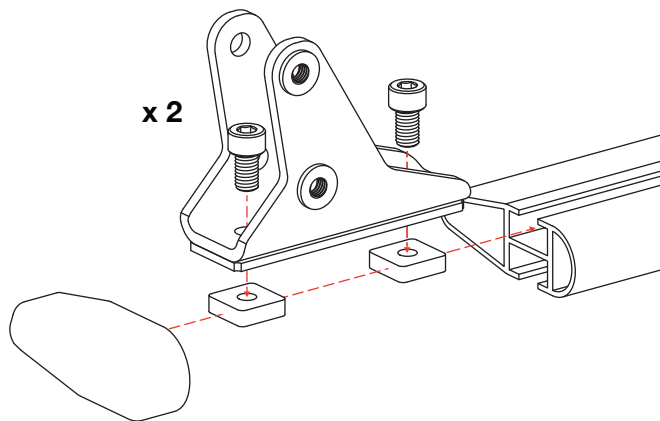
T-Slot Configuration

- 1 Trim rubber pad at indents. Apply adhesive backed rubber pad to bottom of each Angle Adjust Bracket.



- 2 Attach one Angle Adjust Bracket to each crossbar using two T-slot nuts and two 5/8" bolts. Place at even positions on the bars.

TOOL: 6 mm Hex wrench

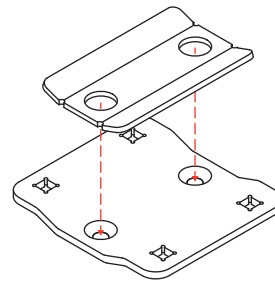


- 3 Continue with Step 4 on Page 3.

OR

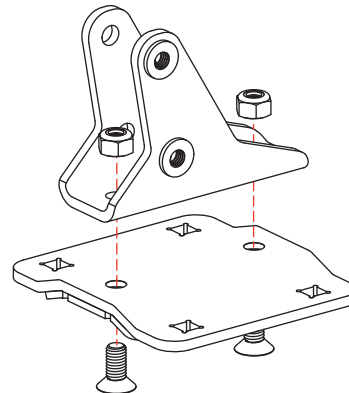
Clamp Configuration

- 1 Apply adhesive backed rubber pad to each clamping plate.



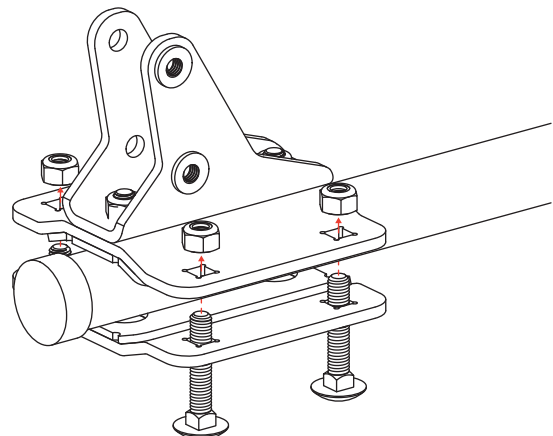
- 2 Attach one clamping plate to each Angle Adjust Bracket using two flat head bolts and 2 nylon lock nuts.

TOOLS: 13 mm Crescent or socket wrench. 5 mm Hex wrench



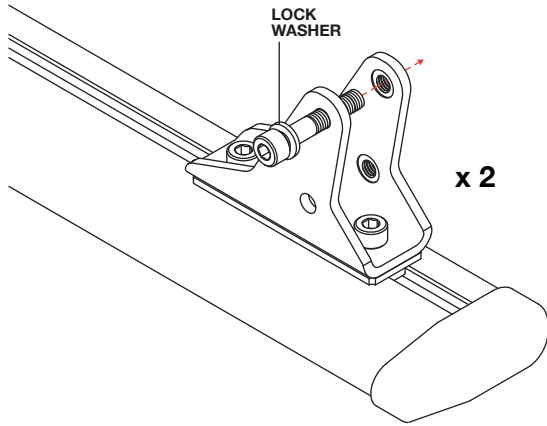
- 3 Using additional clamping plate, 4 carriage bolts, and 4 nylon lock nuts, clamp the Angle Adjust Bracket to crossbar. Repeat for other crossbar.

TOOL: 13 mm Crescent or Socket Wrench

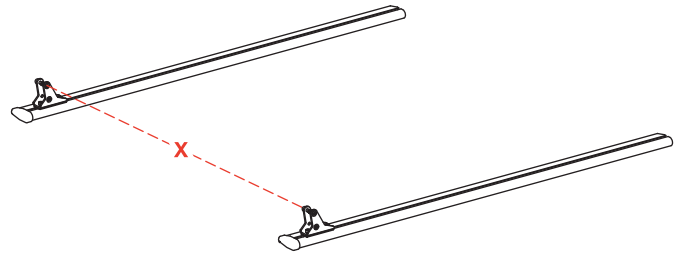


Continue with Step 4 on Page 3.

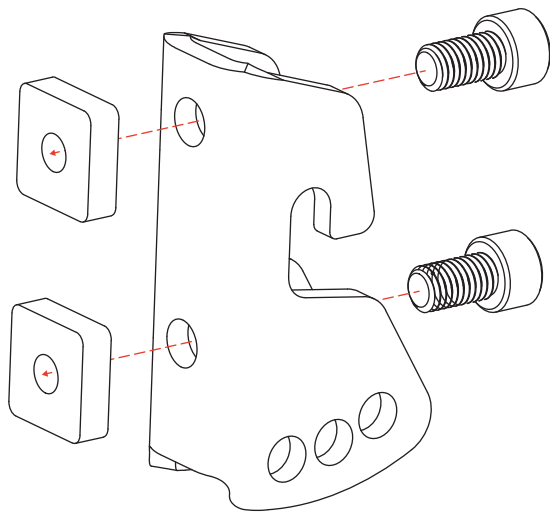
- 4 Pre-thread one 1 5/8" bolt with lock washer into the top hole of each Angle Adjust Bracket.



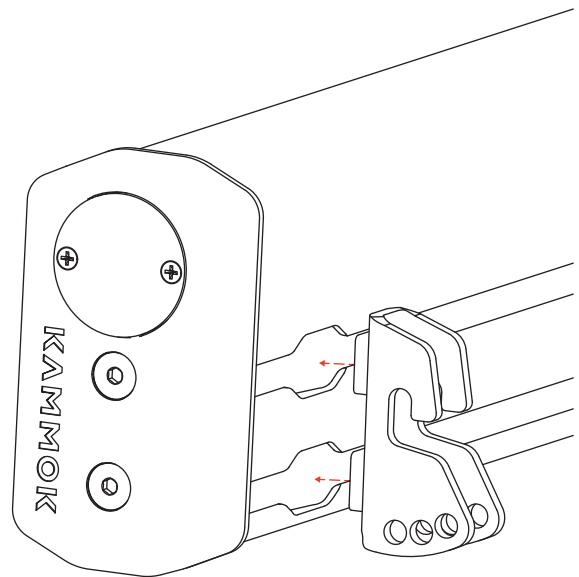
- 5 Measure spacing between angle adjust brackets.



- 6 Pre-thread two T-slot nuts onto each Awning Mounting Bracket using two 5/8" bolts, do not tighten.

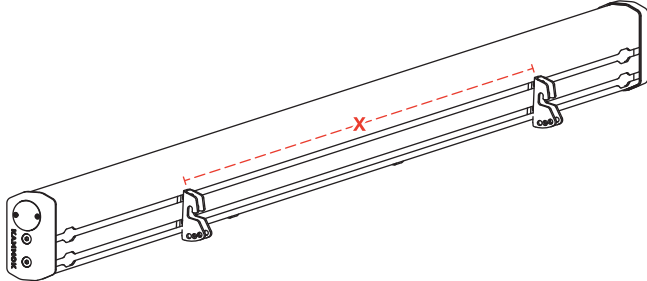


- 7 Slip the T-slot nuts (with Awning Mounting Bracket in tow) into the T-slots located on the back of the Crosswing Awning using the cutaways at each end.

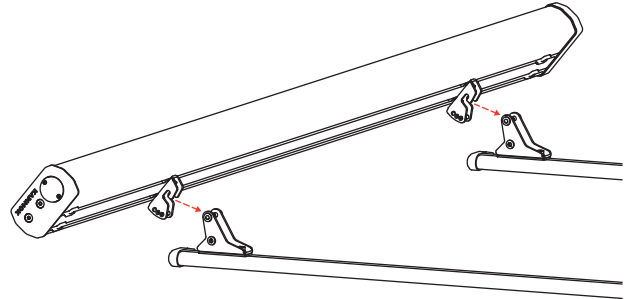


- 8 Position the Awning Mounting Brackets to align with the spacing of the Angle Adjust Brackets. Tighten fasteners lightly.

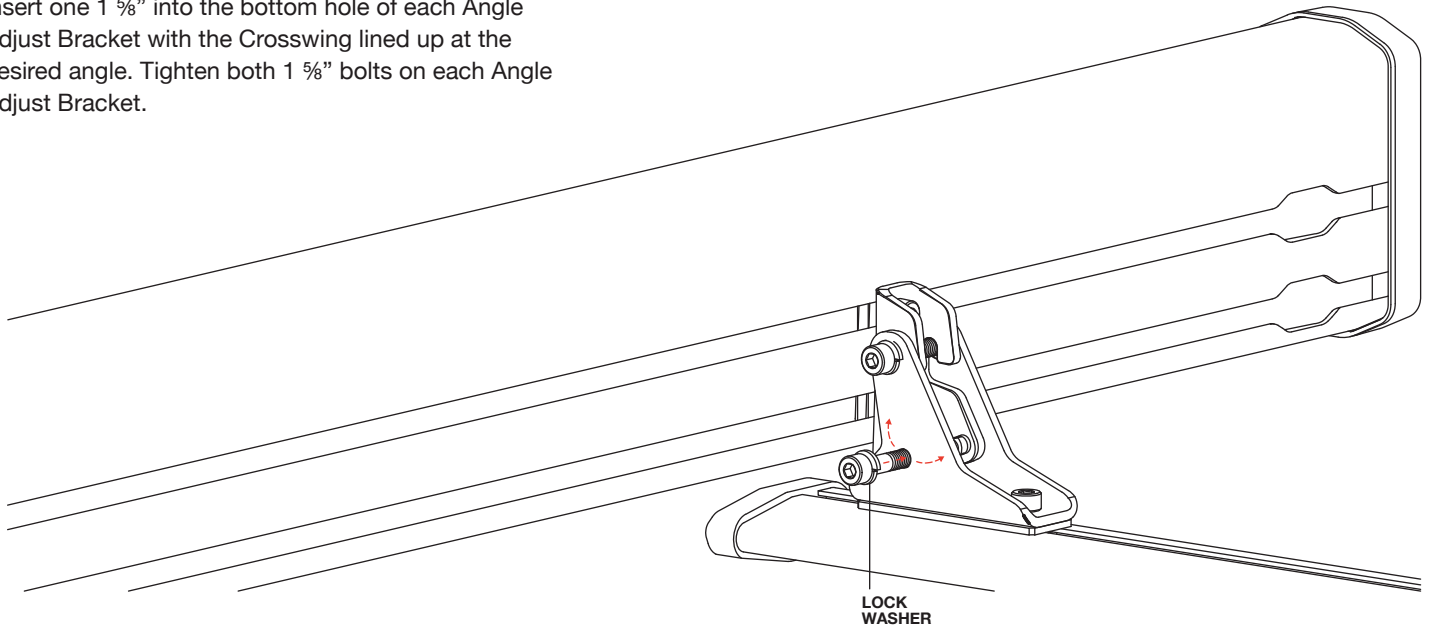
TOOL: 6 mm Hex wrench



- 9 With the help of an additional person, lift the Crosswing up to the vehicle. Align the Awning Mounting Brackets with the Angle Adjust Brackets, slot the hook of each Awning Mounting Bracket onto the bolts of the Angle Adjust Brackets, and let the Crosswing pivot down until it rests against the Angle Adjust Bracket. The Crosswing will hang safely.



- 10 Insert one 1 5/8" into the bottom hole of each Angle Adjust Bracket with the Crosswing lined up at the desired angle. Tighten both 1 5/8" bolts on each Angle Adjust Bracket.



- 11 If the Crosswing is not at the desired position: slightly loosen the four 5/8" bolts holding the Crosswing to the Awning Mounting Brackets. Slide the Crosswing into the desired position along the length of the vehicle.



- 12 Tighten all four 5/8" bolts holding the Crosswing to the Awning Mounting Brackets.

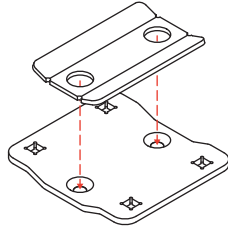
- 13 Check that all fasteners are securely tightened.

WARNING: Kammok can only guarantee this mounting solution if using the included hardware. If additional hardware is used, please be careful to ensure the awning is secure and there is no risk of the hardware coming loose or failing.

Vertical Brackets

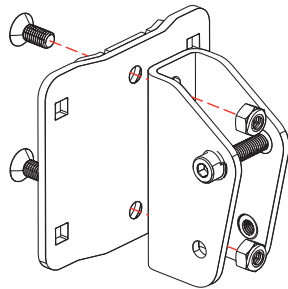
Clamp Mount Configuration

- 1 Apply adhesive backed rubber pad to each clamping plate.



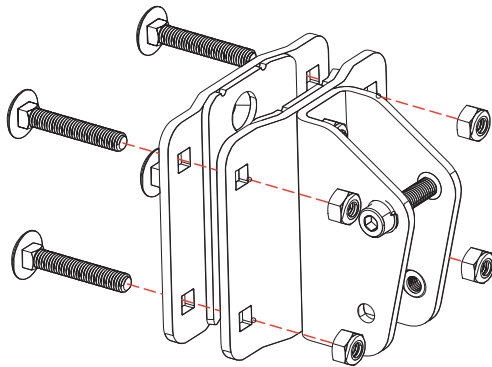
- 2 Attach one clamping plate to each Angle Adjust Bracket using two flat head bolts and 2 nylon lock nuts.

TOOLS: 13 mm Crescent or socket wrench. 5 mm Hex wrench

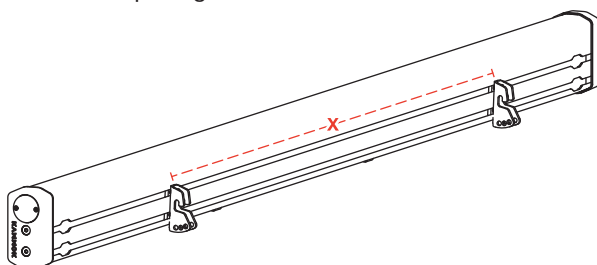


- 3 Using additional clamping plate, 4 carriage bolts, and 4 nylon lock nuts, clamp the Angle Adjust Bracket to crossbar. Repeat for other crossbar.

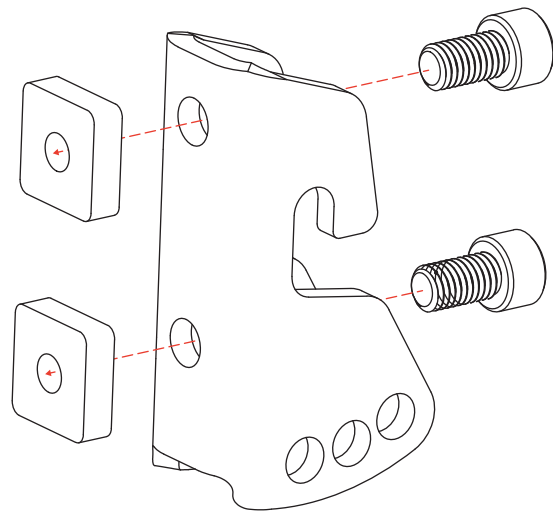
Tool: 13 mm Crescent or Socket Wrench



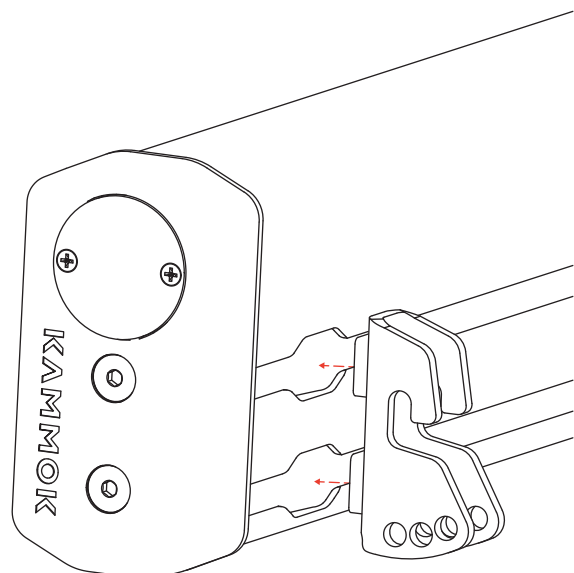
- 4 Measure the spacing between vertical brackets.



- 5 Pre-thread two T-slot nuts onto each Awning Mounting Bracket using two 5/8" bolts, do not tighten.

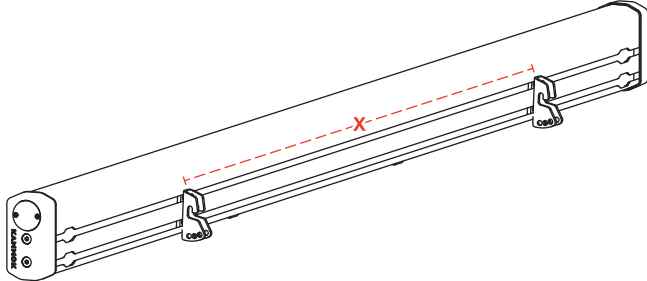


- 6 Slip the T-slot nuts (with Awning Mounting Bracket in tow) into the T-slots located on the back of the Crosswing Awning using the cutaways at each end.

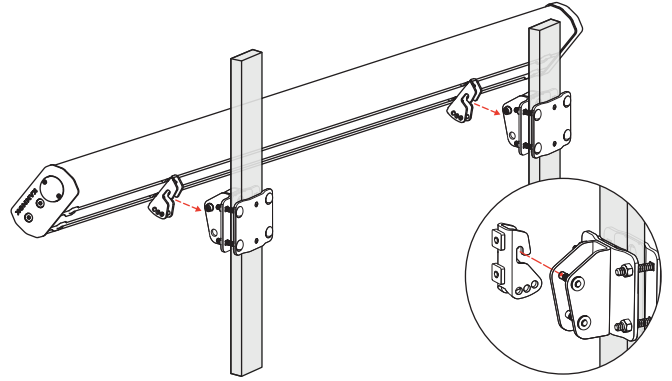


- 7 Position the Awning Mounting Brackets to align with the spacing of the Angle Adjust Brackets. Tighten fasteners lightly.

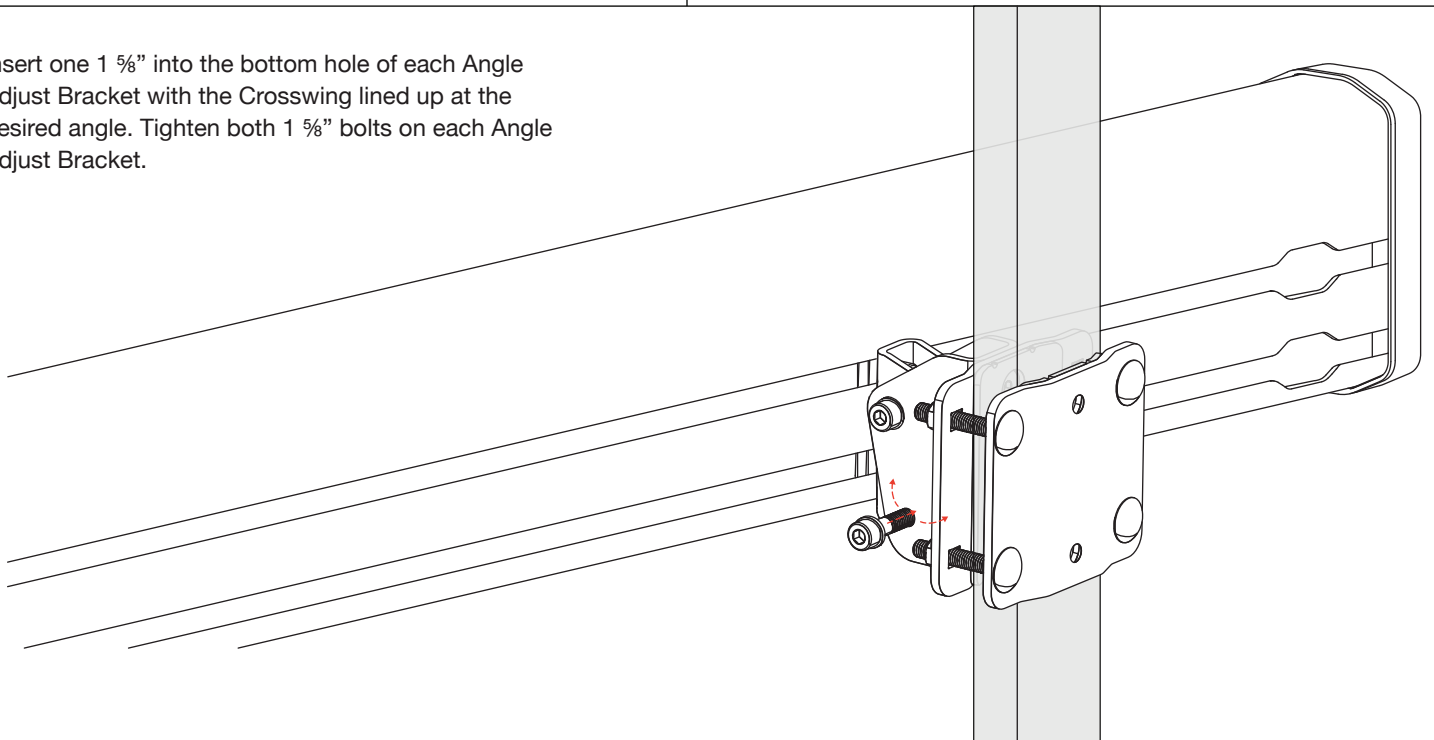
TOOL: 6 mm Hex wrench



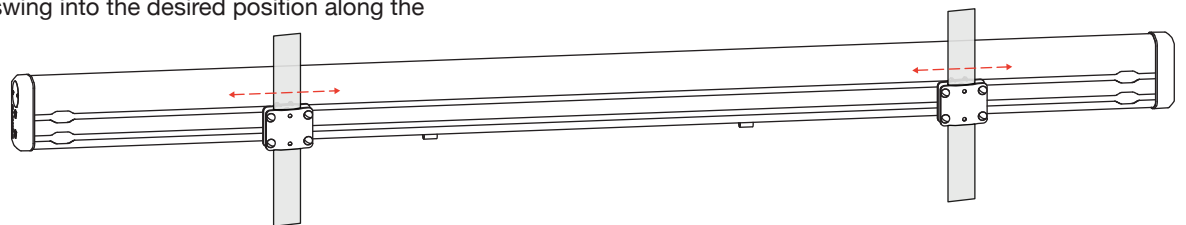
- 8 With the help of an additional person, lift the Crosswing up to the vehicle. Align the Awning Mounting Brackets with the Angle Adjust Brackets, slot the hook of each Awning Mounting Bracket onto the bolts of the Angle Adjust Brackets, and let the Crosswing pivot down until it rests against the Angle Adjust Bracket. The Crosswing will hang safely.



- 9 Insert one 1 5/8" into the bottom hole of each Angle Adjust Bracket with the Crosswing lined up at the desired angle. Tighten both 1 5/8" bolts on each Angle Adjust Bracket.



- 10 If the Crosswing is not at the desired position: slightly loosen the four 5/8" bolts holding the Crosswing to the Awning Mounting Brackets. Slide the Crosswing into the desired position along the length of the vehicle.



- 11 Tighten all four 5/8" bolts holding the Crosswing to the Awning Mounting Brackets.

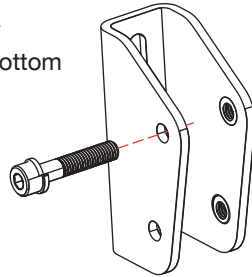
- 12 Check that all fasteners are securely tightened.

WARNING: Kammok can only guarantee this mounting solution if using the included hardware. If additional hardware is used, please be careful to ensure the awning is secure and there is no risk of the hardware coming loose or failing.

Vertical Brackets

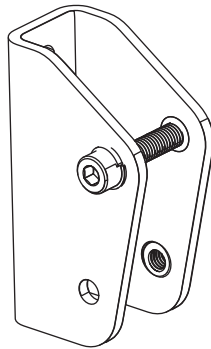
T-Slot Mount Configuration

- 1 Trim rubber pad at indents. Apply adhesive backed rubber pad to bottom of each Angle Adjust Bracket.

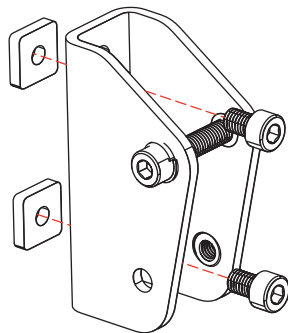


- 2 Use the awning mountain bolts and a set of Nylock nuts from the stock kit to secure each bracket to the vertical surface.

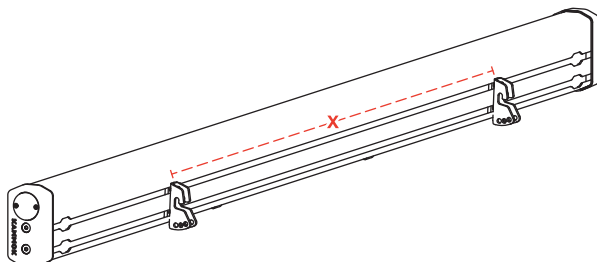
NOTE: Ensure the nuts are securely tightened.



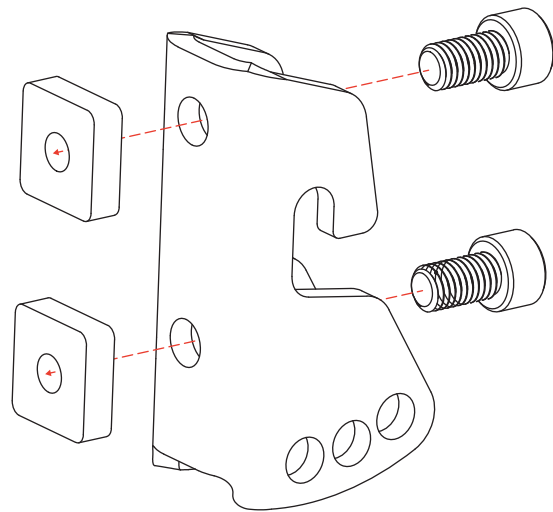
- 3 Insert the a pivot clamping bolt into the top hole of each bracket. Use an allen wrench to tighten.



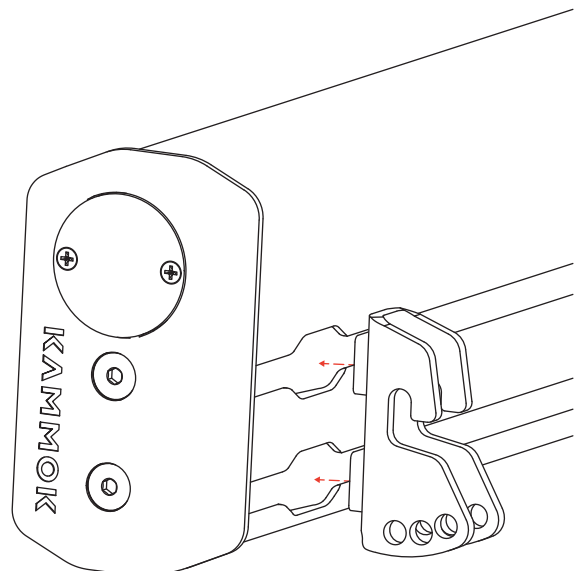
- 4 Measure the spacing between vertical brackets.



- 5 Pre-thread two T-slot nuts onto each Awning Mounting Bracket using two 5/8" bolts, do not tighten.

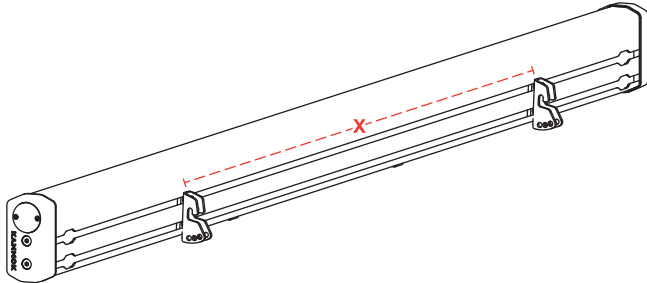


- 6 Slip the T-slot nuts (with Awning Mounting Bracket in tow) into the T-slots located on the back of the Crosswing Awning using the cutaways at each end.

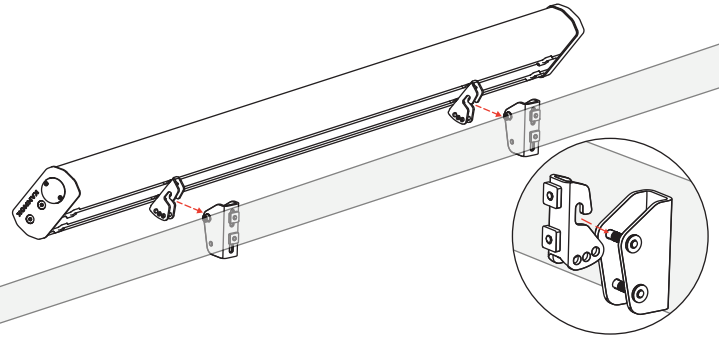


- 7 Position the Awning Mounting Brackets to align with the spacing of the Angle Adjust Brackets. Tighten fasteners lightly.

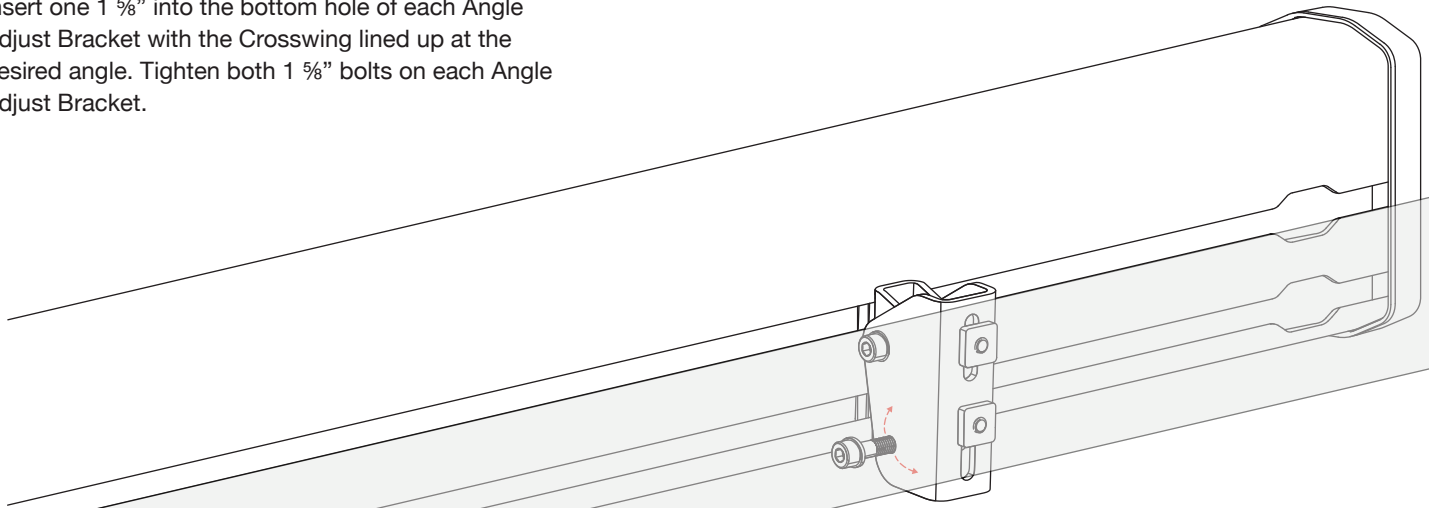
TOOL: 6 mm Hex wrench



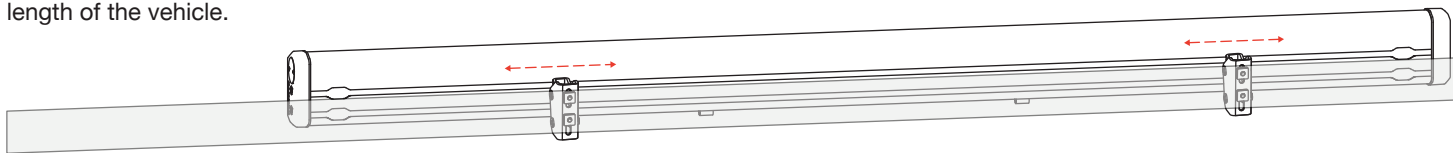
- 8 With the help of an additional person, lift the Crosswing up to the vehicle. Align the Awning Mounting Brackets with the Angle Adjust Brackets, slot the hook of each Awning Mounting Bracket onto the bolts of the Angle Adjust Brackets, and let the Crosswing pivot down until it rests against the Angle Adjust Bracket. The Crosswing will hang safely.



- 9 Insert one 1 5/8" into the bottom hole of each Angle Adjust Bracket with the Crosswing lined up at the desired angle. Tighten both 1 5/8" bolts on each Angle Adjust Bracket.



- 10 If the Crosswing is not at the desired position: slightly loosen the four 5/8" bolts holding the Crosswing to the Awning Mounting Brackets. Slide the Crosswing into the desired position along the length of the vehicle.



- 11 Tighten all four 5/8" bolts holding the Crosswing to the Awning Mounting Brackets. Check that all fasteners are securely tightened.

Want to mount directly to a wall or surface?

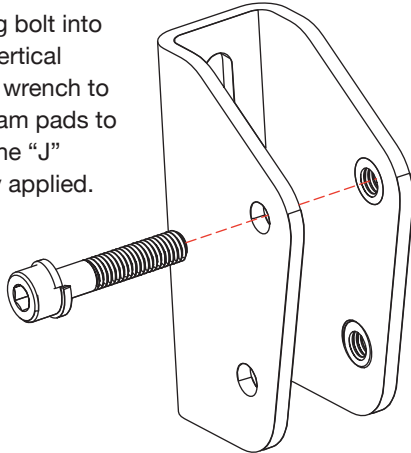
Additional hardware may be required for mounting directly onto a vertical surface. Be ensure your mounting solution will properly support the weight of the awning.

WARNING: Kammok can only guarantee this mounting solution if using the included hardware. If additional hardware is used, please be careful to ensure the awning is secure and there is no risk of the hardware coming loose or failing.

Basket Mount Kit

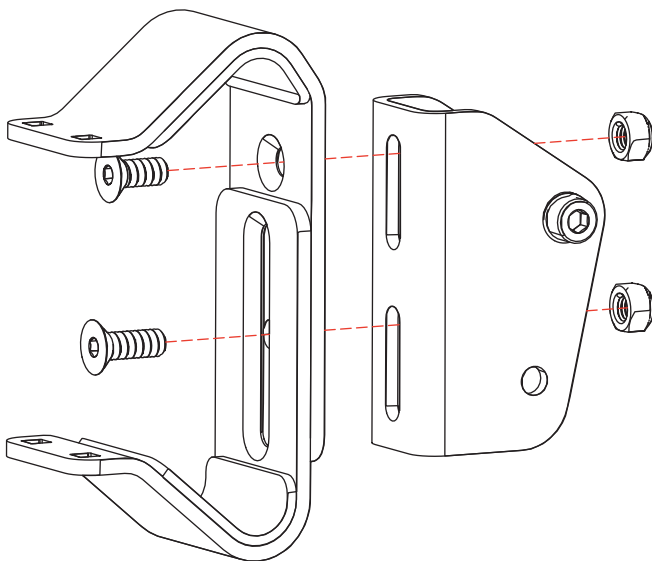
Clamp Mount Configuration

- 1 Insert a pivot clamping bolt into the top hole of each vertical bracket. Use an allen wrench to tighten. Adhere the foam pads to the inside surface of the "J" brackets if not already applied.



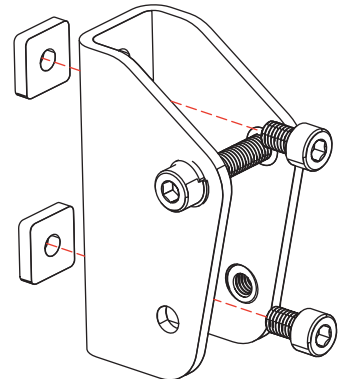
- 2 Position the 2 "J" brackets as shown, with the slotted one to the on top/closest to you. Loosely secure the "J" brackets to the vertical brack with 2 flush head bolts and nylock nuts.

NOTE: Use the slightly longer bolt for the bottom slot and the shorter bolt on the top.

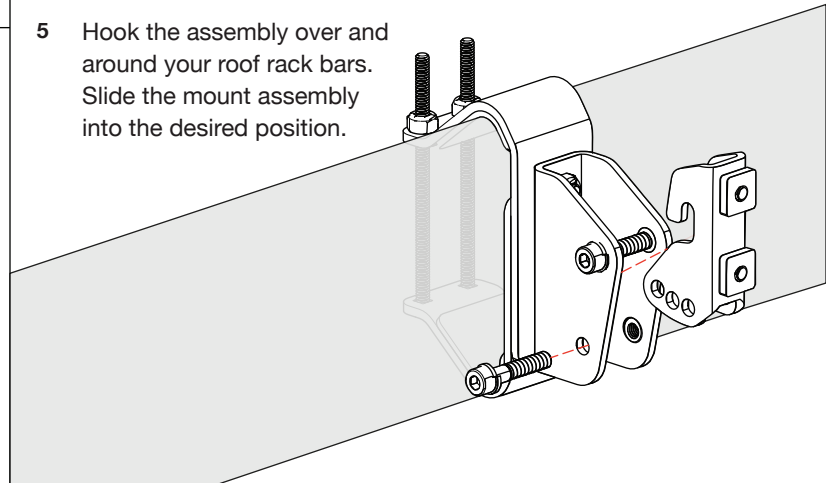


- 3 Loosely secure the "J" brackets to the vertical brack with 2 flush head bolts and nylock nuts.

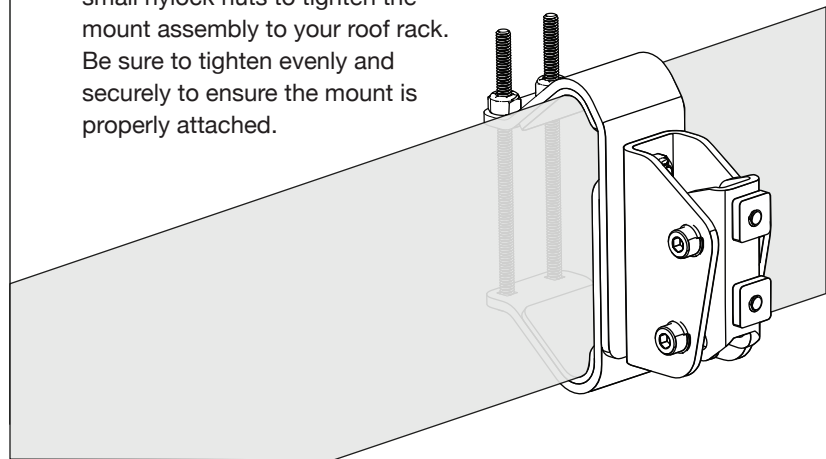
NOTE: Use the slightly longer bolt for the bottom slot and the shorter bolt on the top.



- 5 Hook the assembly over and around your roof rack bars. Slide the mount assembly into the desired position.

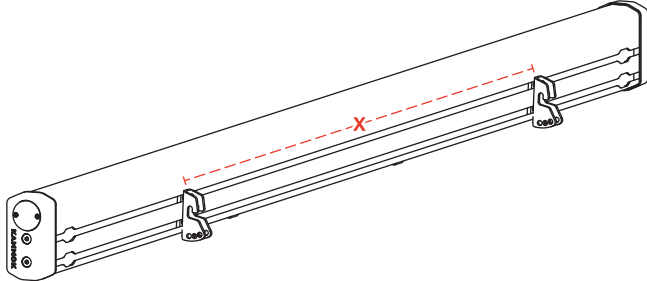


- 6 Use the long pinch bolts and the small nylock nuts to tighten the mount assembly to your roof rack. Be sure to tighten evenly and securely to ensure the mount is properly attached.

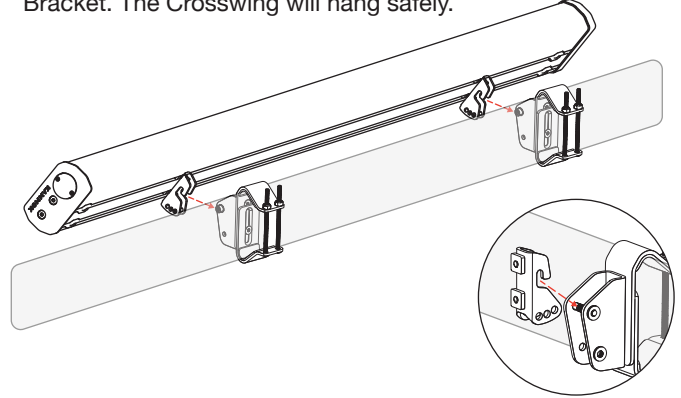


- 7 Position the Awning Mounting Brackets to align with the spacing of the Angle Adjust Brackets. Tighten fasteners lightly.

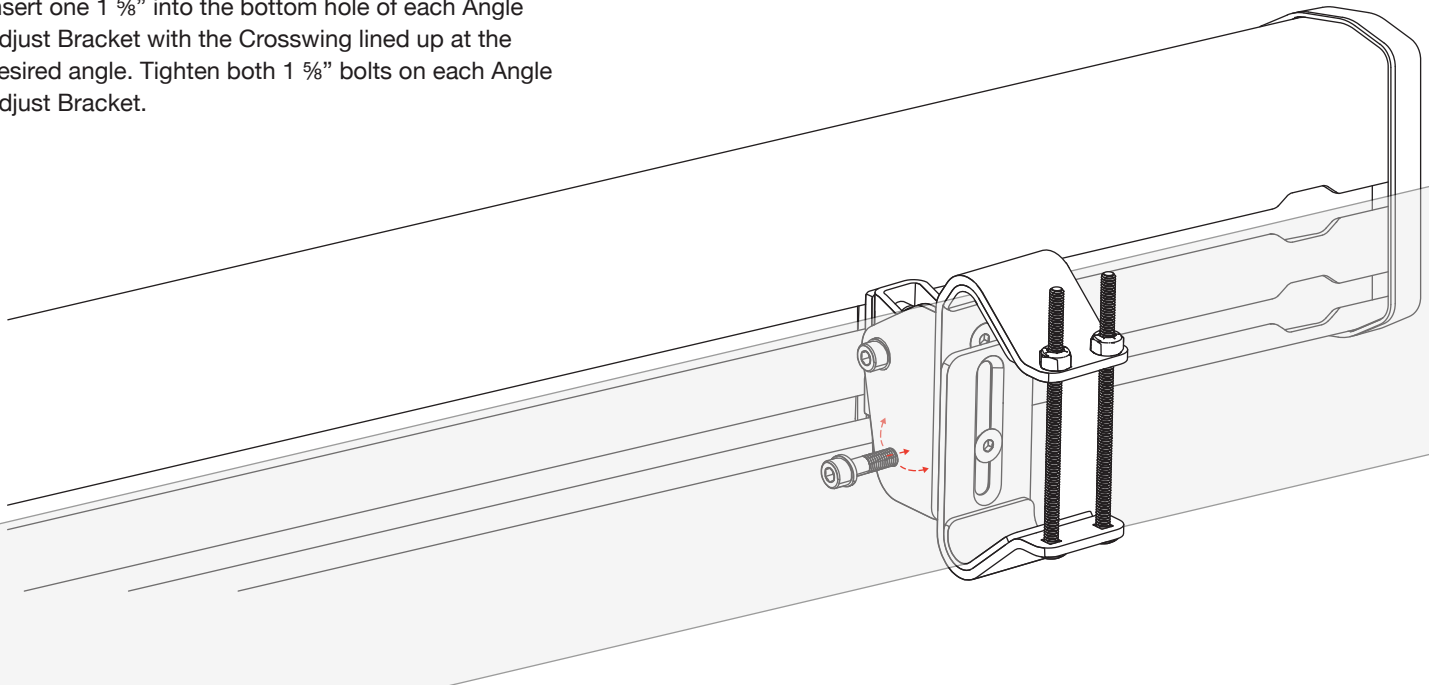
TOOL: 6 mm Hex wrench



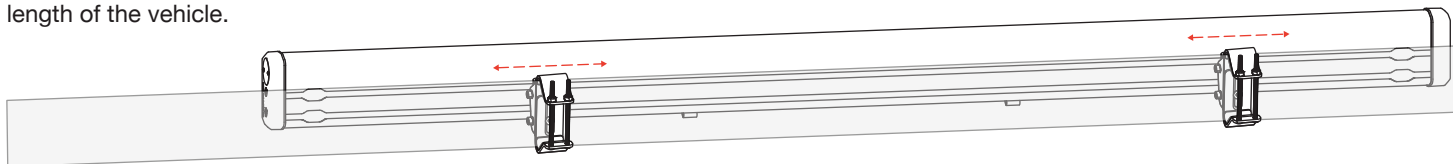
- 8 With the help of an additional person, lift the Crosswing up to the vehicle. Align the Awning Mounting Brackets with the Angle Adjust Brackets, slot the hook of each Awning Mounting Bracket onto the bolts of the Angle Adjust Brackets, and let the Crosswing pivot down until it rests against the Angle Adjust Bracket. The Crosswing will hang safely.



- 9 Insert one 1 5/8" into the bottom hole of each Angle Adjust Bracket with the Crosswing lined up at the desired angle. Tighten both 1 5/8" bolts on each Angle Adjust Bracket.



- 10 If the Crosswing is not at the desired position: slightly loosen the four 5/8" bolts holding the Crosswing to the Awning Mounting Brackets. Slide the Crosswing into the desired position along the length of the vehicle.



- 11 Tighten all four 5/8" bolts holding the Crosswing to the Awning Mounting Brackets.

- 12 Check that all fasteners are securely tightened.