



PRODUCT SHEET

**Merkur Dining Chair**  
*by Skogstad & Wærnes*

# Merkur Dining Chair, Oak

BY SKOGSTAD & WÆRNES

Originally designed for the historic Oslo Stock Exchange and named after the Roman god of trade, Merkur is a contemporary remake of the archetypal dining chair, refined and elegant in its expression thanks to its considered combination of traditional craftsmanship techniques, timeless form and modern function.

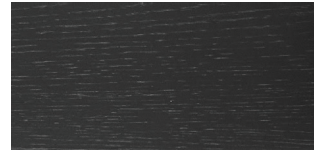


## PRODUCT OPTIONS

### SHELL



NATURAL OAK



BLACK OAK

# Merkur Dining Chair, Oak

BY SKOGSTAD & WÆRNES

## TECHNICAL SPECIFICATIONS

### PRODUCT TYPE

Dining chair

### COLLI

1

### ENVIRONMENT

Indoor

### DIMENSIONS

H: 78 cm / 30,7"

SH: 46 cm / 18,1"

W: 46 cm / 18,1"

D: 52 cm / 20,44"

SD: 42 cm / 16,5"

### PRODUCTION PROCESS

The base is constructed of shaped and joined wood parts.

### COLOUR

Black (RAL 9005)

Natural oak

### GLOSS

Gloss 8

### MATERIALS

Solid oak &amp; plywood

### WEIGHT

4,3 kg / 9,47 lb

### TEST

EN16139:2013, L2

### CERTIFICATIONS

TSCA title IV compliant

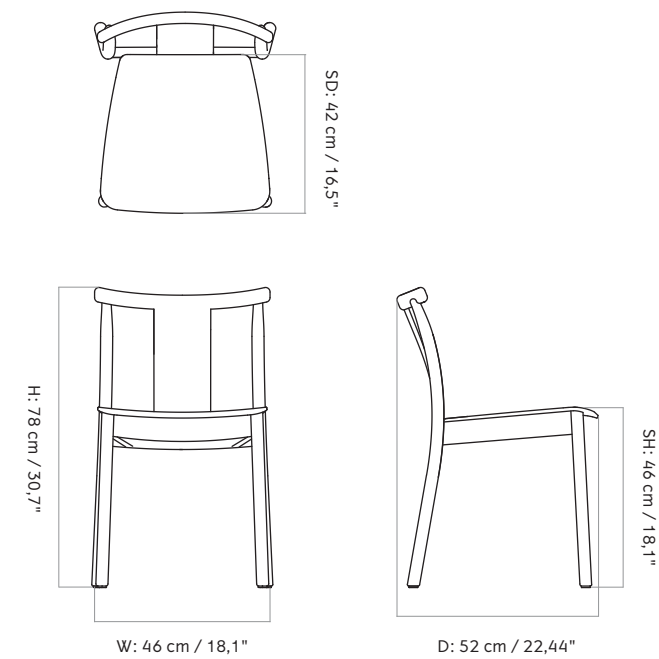
### PACKAGING TYPE

Brown box

### PACKAGING MEASUREMENTS (H x W x D)

83 cm x 50 cm x 54 cm / 32,67" x 19,69" x 21,25"

### MATERIALS & MAINTENANCE

Please visit [menuspace.com](https://www.menuspace.com) for materials, care and maintenance instructions.

# Merkur Dining Chair, Seat Upholstered

BY SKOGSTAD &amp; WÆRNES

Originally designed for the historic Oslo Stock Exchange and named after the Roman god of trade, Merkur is a contemporary remake of the archetypal dining chair, refined and elegant in its expression thanks to its considered combination of traditional craftsmanship techniques, timeless form and modern function.



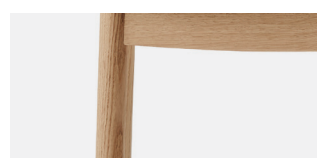
## PRODUCT OPTIONS

### SEAT

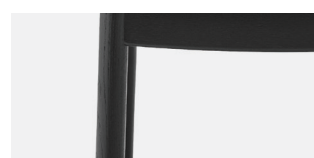


UPHOLSTERED

### BASE



NATURAL OAK



BLACK OAK

### SPEC OPTIONS

Available in fabrics from our upholstery programme. Standard lead times apply.

For custom upholstery, please refer to the guiding textile/leather consumption:

COM: 0,55 m / 0,61 yds

COL: 0,46 m<sup>2</sup> / 5 sqft

Prices excl. custom upholstery are equal to Price Category 1 Textile or Leather. Contact Sales support for approval of custom upholstery and to place your order.

The above textile consumption is only valid for textile rolls with a width equal to or greater than 140 cm. For smaller textile rolls, please contact Sales Support for guidance. For textile with pattern, please expect a higher usage for correct pattern fitting. Please contact Sales Support for guidance.

# Merkur Dining Chair, Seat Upholstered

BY SKOGSTAD &amp; WÆRNES

## TECHNICAL SPECIFICATIONS

### PRODUCT TYPE

Dining chair

### COLLI

1

### ENVIRONMENT

Indoor

### DIMENSIONS

H: 78 cm / 30,7"

SH: 46 cm / 18,1"

W: 46 cm / 18,1"

D: 52 cm / 20,44"

SD: 42 cm / 16,5"

### PRODUCTION PROCESS

The base is constructed of shaped and joined wood parts. The final process is to upholster according to a chosen material.

### COLOUR

#### Seat with upholstery

Dependent upon selected upholstery

#### Base

Black (RAL 9005)

Natural oak

### GLOSS

Gloss 8

### MATERIALS

#### Seat with upholstery

Plywood, foam and upholstery

#### Base

Solid oak &amp; plywood

### WEIGHT

5,3 kg / 11,68 lb

### TEST

EN16139:2013, L2

### CERTIFICATIONS

TSCA title IV compliant

### PACKAGING TYPE

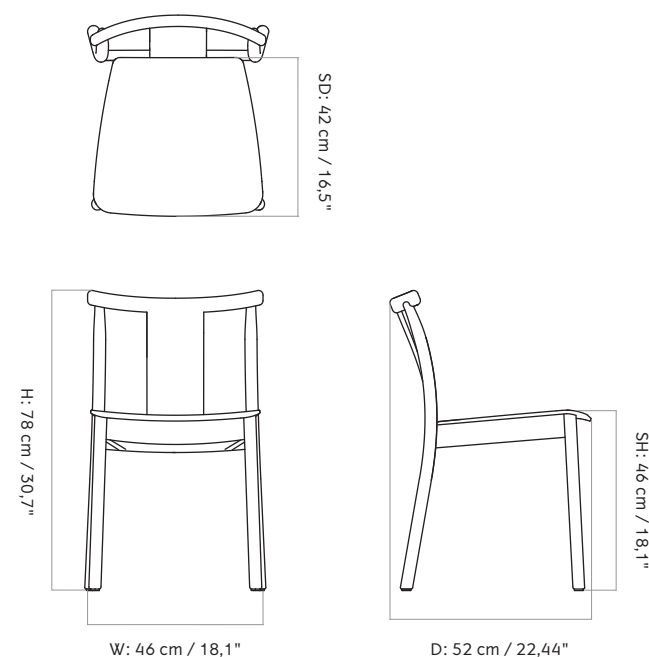
Brown box

### PACKAGING MEASUREMENTS (H x W x D)

83 cm x 50 cm x 54 cm / 32,67" x 19,69" x 21,25"

### MATERIALS & MAINTENANCE

Please visit [menuspace.com](https://www.menuspace.com) for materials, care and maintenance instructions.



# Merkur Dining Chair w/Armrest, Oak

BY SKOGSTAD & WÆRNES

Originally designed for the historic Oslo Stock Exchange and named after the Roman god of trade, Merkur is a contemporary remake of the archetypal dining chair, refined and elegant in its expression thanks to its considered combination of traditional craftsmanship techniques, timeless form and modern function.



## PRODUCT OPTIONS

### SHELL



NATURAL OAK



BLACK OAK

# Merkur Dining Chair w/Armrest, Oak

BY SKOGSTAD & WÆRNES

## TECHNICAL SPECIFICATIONS

### PRODUCT TYPE

Dining chair

### PRODUCTION PROCESS

The base is constructed of shaped and joined wood parts.

### TEST

EN16139:2013, L2

### COLLI

1

### COLOUR

Black (RAL 9005)  
Natural oak

### CERTIFICATIONS

TSCA title IV compliant

### ENVIRONMENT

Indoor

### GLOSS

Gloss 8

### PACKAGING TYPE

Brown box

### DIMENSIONS

H: 78 cm / 30,7"  
SH: 46 cm / 18,1"  
W: 46 cm / 18,1"  
D: 52 cm / 20,44"  
SD: 41,5 cm / 16,3"  
AH: 66 cm / 25,98"

### MATERIALS

Solid oak &amp; Plywood

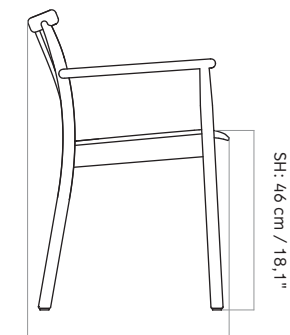
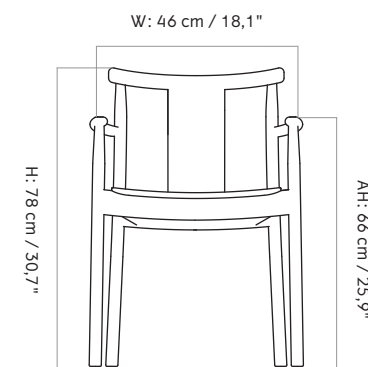
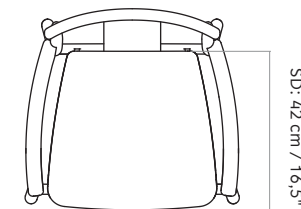
### WEIGHT

5.3 kg / 11.68 lb

### PACKAGING MEASUREMENTS (H x W x D)

83 cm x 50 cm x 54 cm / 32,67" x 19,69" x 21,25"

### MATERIALS & MAINTENANCE

Please visit [menuspace.com](https://www.menuspace.com) for materials, care and maintenance instructions.

# Merkur Dining Chair w/Armrest, Seat Upholstered

BY SKOGSTAD &amp; WÆRNES

Originally designed for the historic Oslo Stock Exchange and named after the Roman god of trade, Merkur is a contemporary remake of the archetypal dining chair, refined and elegant in its expression thanks to its considered combination of traditional craftsmanship techniques, timeless form and modern function.



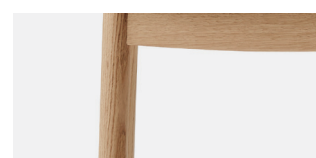
## PRODUCT OPTIONS

### SEAT

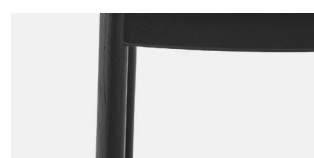


UPHOLSTERED

### BASE



NATURAL OAK



BLACK OAK

### SPEC OPTIONS

Available in fabrics from our upholstery programme. Standard lead times apply.

For custom upholstery, please refer to the guiding textile/leather consumption:

COM: 0,55 m / 0,61 yds

COL: 0,46 m<sup>2</sup> / 5 sqft

Prices excl. custom upholstery are equal to Price Category 1 Textile or Leather. Contact Sales support for approval of custom upholstery and to place your order.

The above textile consumption is only valid for textile rolls with a width equal to or greater than 140 cm. For smaller textile rolls, please contact Sales Support for guidance. For textile with pattern, please expect a higher usage for correct pattern fitting. Please contact Sales Support for guidance.

# Merkur Dining Chair w/Armrest, Seat Upholstered

BY SKOGSTAD &amp; WÆRNES

## TECHNICAL SPECIFICATIONS

### PRODUCT TYPE

Dining chair

### COLLI

1

### ENVIRONMENT

Indoor

### DIMENSIONS

H: 78 cm / 30,7"

SH: 46 cm / 18,1"

W: 46 cm / 18,1"

D: 52 cm / 20,44"

SD: 41,5 cm / 16,3"

AH: 66 cm / 25,98"

### PRODUCTION PROCESS

The base is constructed of shaped and joined wood parts. The final process is to upholster according to a chosen material.

### COLOUR

#### Seat with upholstery

Dependent upon selected upholstery

#### Base

Black (RAL 9005)

Natural oak

### GLOSS

Gloss 8

### MATERIALS

#### Seat with upholstery

Plywood, foam and upholstery

#### Base

Solid oak &amp; plywood

#### Armrest

Solid oak &amp; plywood

### WEIGHT

6,3 kg / 13.89 lb

### TEST

EN16139:2013, L2

### CERTIFICATIONS

TSCA title IV compliant

### PACKAGING TYPE

Brown box

### PACKAGING MEASUREMENTS (H x W x D)

83 cm x 50 cm x 54 cm / 32,67" x 19,69" x 21,25"

### MATERIALS & MAINTENANCE

Please visit [menuspace.com](https://www.menuspace.com) for materials, care and maintenance instructions.

