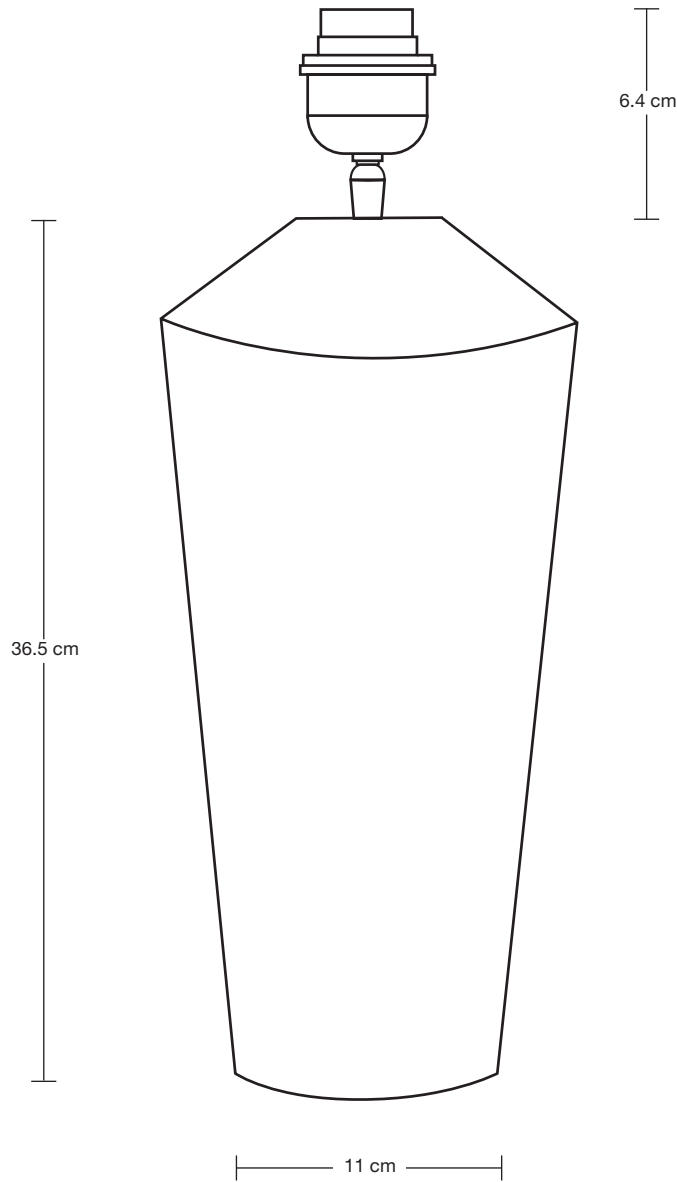


PILLAR



Pillar Geometric Cone Table Lamp- Base Only

SPECIFICATIONS

We meet all UK and EU lighting and safety regulations.

Our products are hand finished to ensure an authentic vintage look and therefore they may vary slightly from those shown in the images.

Bulb Required: Standard screw (E27) fitting, max 40W.

WEIGHT: 2.69 kg

INFORMATION

PRODUCT CODE: PIL-GE-CTL-BO

BASE FINISHES: Brass, Pewter.

FLEX CORD: 2m Black Twisted Flex With Plug

DIMENSIONS

H: 42.9 cm x W: 17.5 cm x D: 17.5 cm

BASE DIAMETER: 17.5 cm / 6.8"

BASE HEIGHT: 42.9 cm / 16.8"