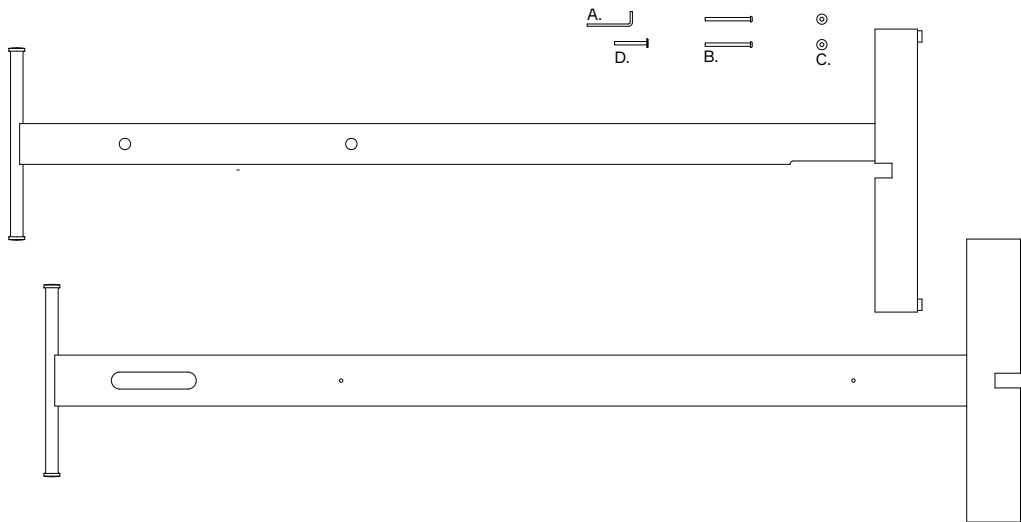


FOYER COAT STAND

Assembly guide

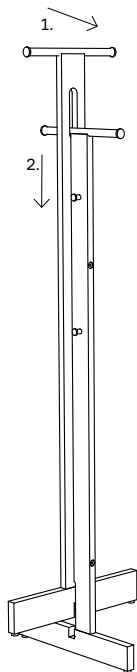


COMPONENTS

Place the components on a blanket to avoid scratches on the floor and on the Foyer Coat Stand.

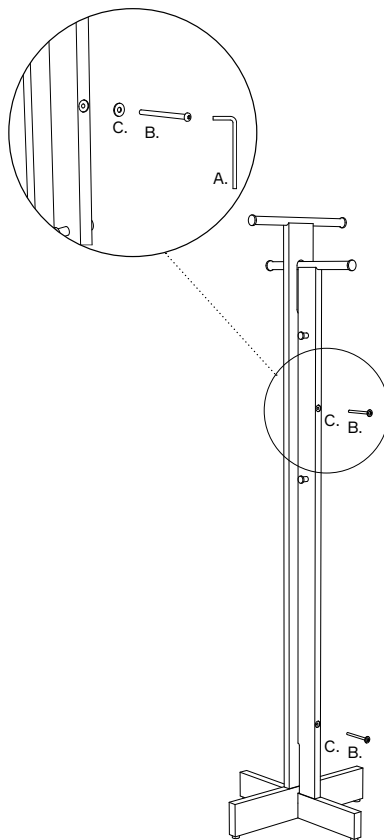
FOYER COAT STAND

Assembly guide



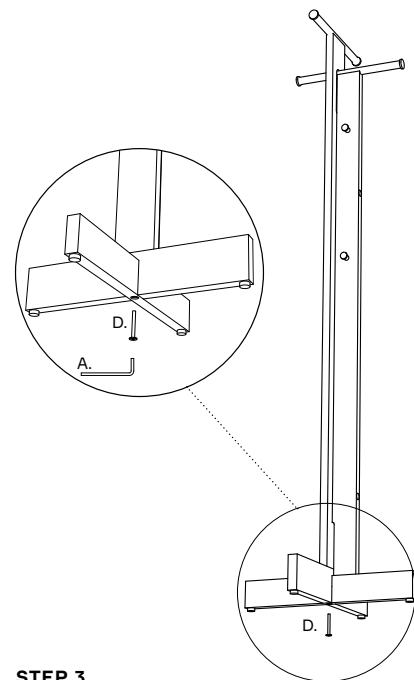
STEP 1

Assemble the two parts of the Foyer Coat Stand by pushing them together, as shown in the diagram.



STEP 2

Mount the two supplied screws (B) together with the two washers (C) using the Allen key (A.)



STEP 3

Mount the last screw (D) to the bottom of the Foyer Coat Stand.
You can now use adjustment screws to make the Foyer Coat Stand stand straight.