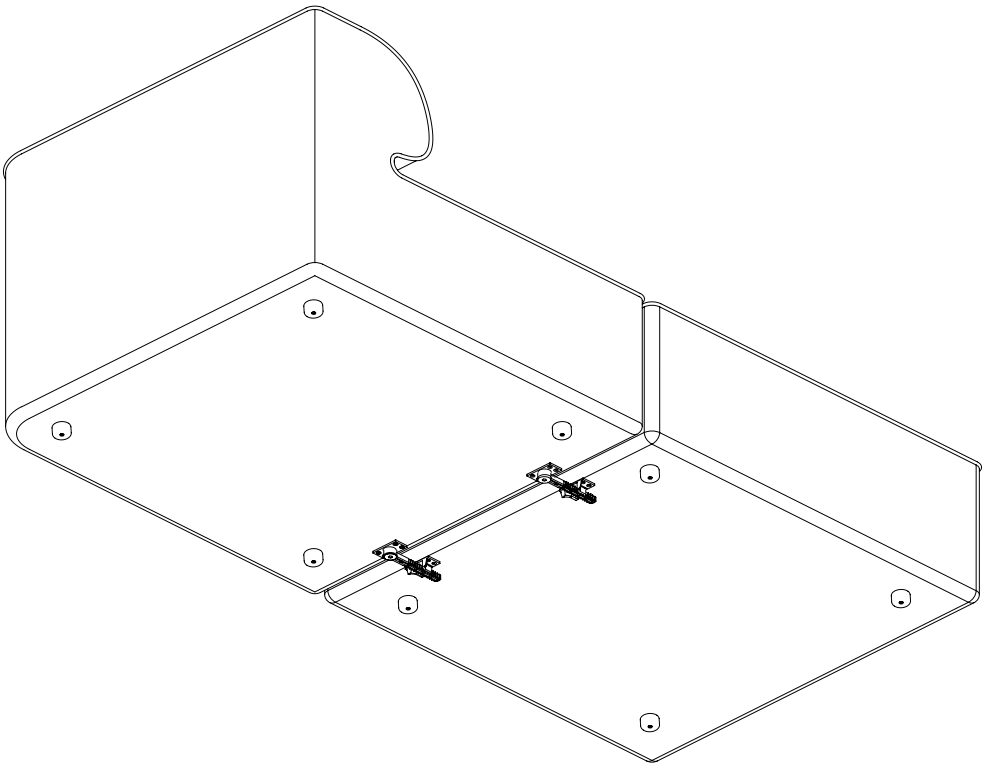


# Eave Connector Brackets

*by Norm Architects*



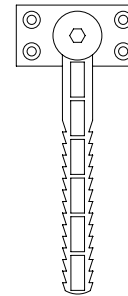
Congratulations on your Eave Sofa designed by Norm Architects.

We hope you will enjoy using this item and follow these instructions to ensure correct installation.

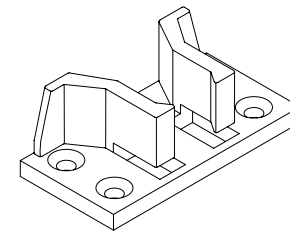
These instructions are provided for your safety. It is important that the instructions are read carefully and completely before mounting.

---

## COMPONENT OVERVIEW



1 x Connector



1 x Connector bracket

---

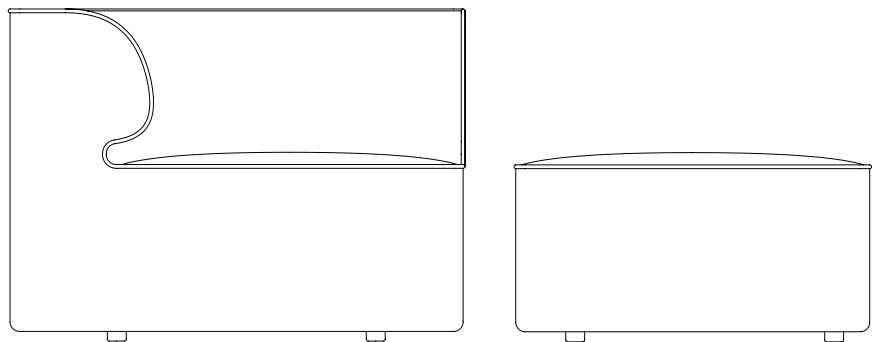
## IMPORTANT INFORMATION

### CARE AND MAINTENANCE

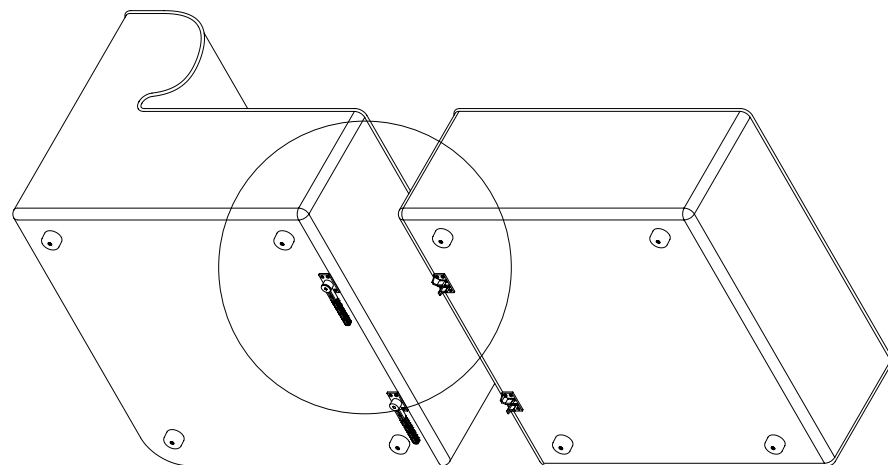
---

Please see care instructions on [www.menuspace.com](http://www.menuspace.com)

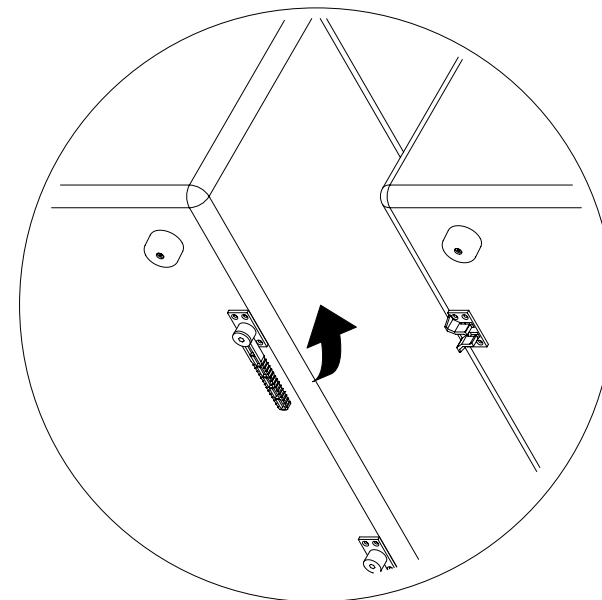
1



2



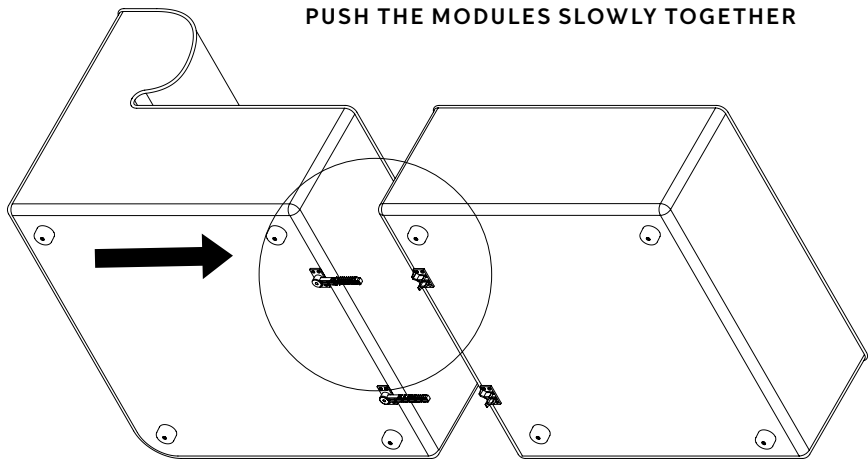
**FLIP THE CONNECTOR OUTWARD**



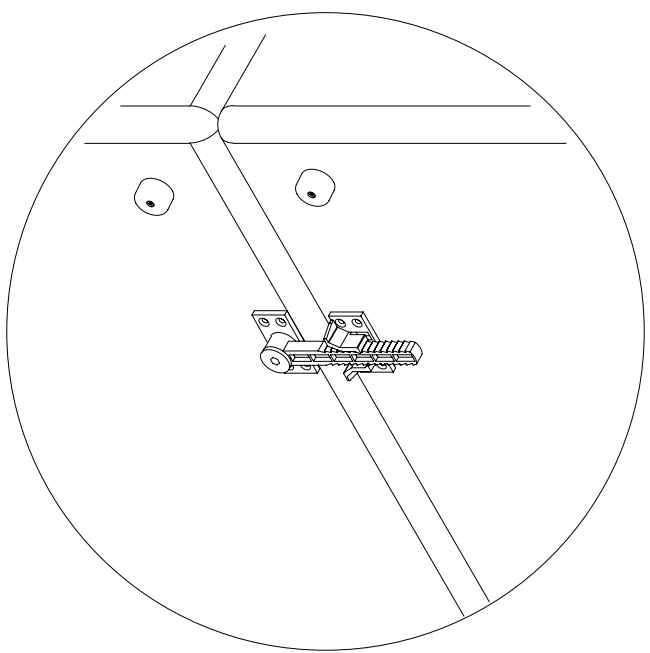
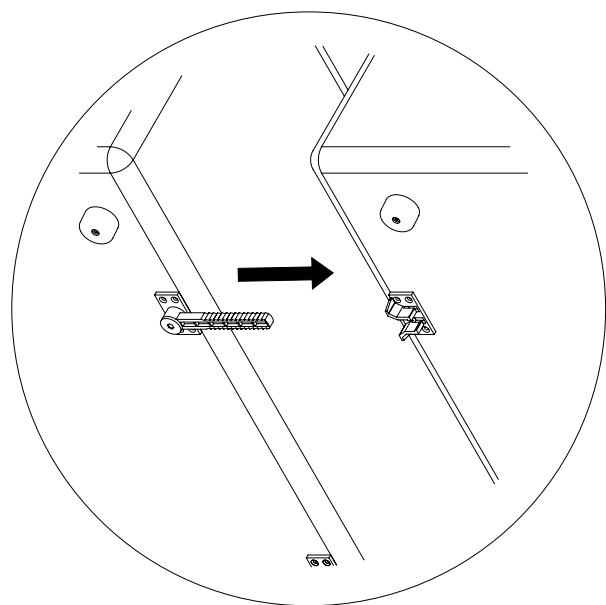
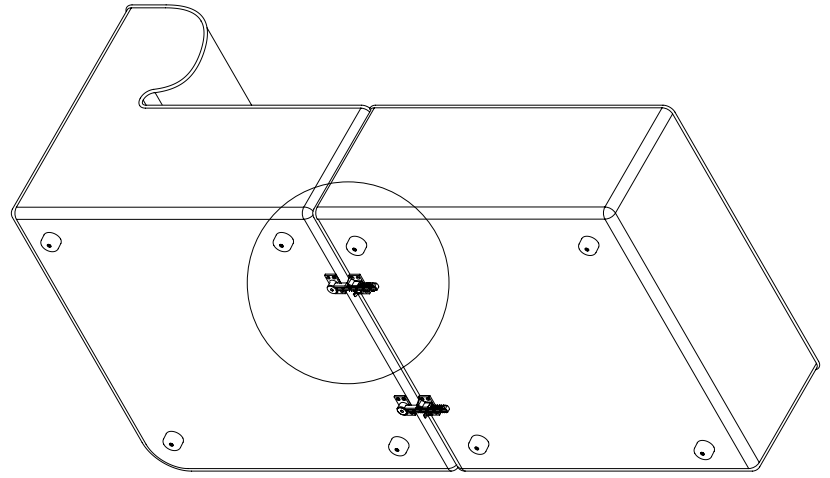
**THE NEXT ASSEMBLY STEPS WILL BE SEEN FROM BELOW, IN ORDER TO BETTER UNDERSTAND THE PROCESS.**

3

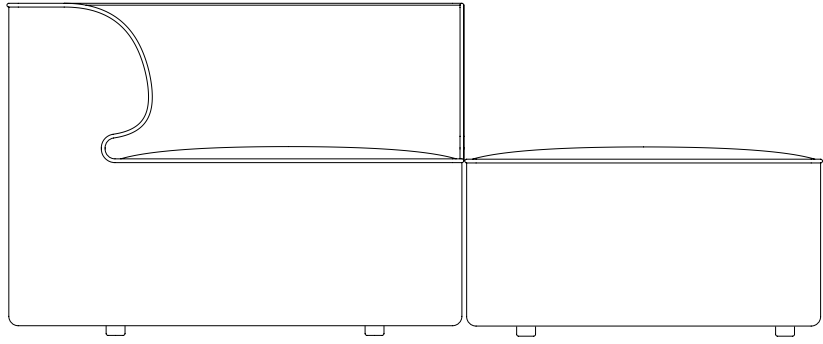
PUSH THE MODULES SLOWLY TOGETHER



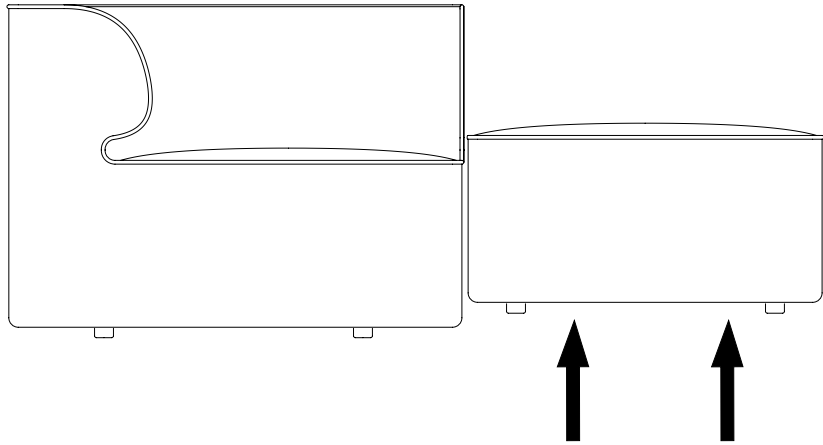
4



5



IN ORDER TO SEPERATE THE MODULES.  
LIFT THE MODULE WITH THE CONNECTION BRACKET UNTIL THE  
CONNECTOR IS OUT OF THE BRACKET.



6

