

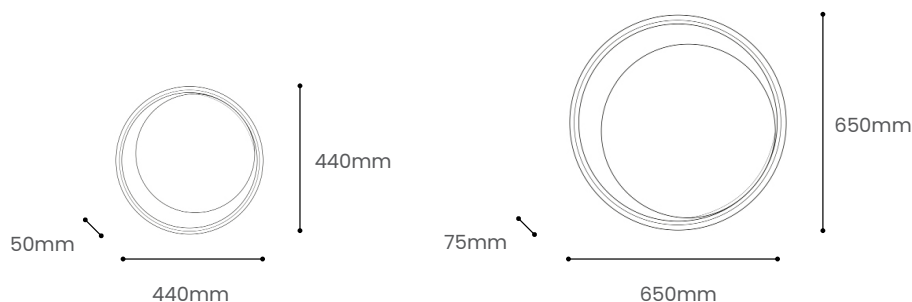
CARN MIRROR

Product Specification

Tom Raffield

Carn Mirror Small



Carn Mirror



With origins rooted in the sculptural tree canopies surrounding our Cornish design studio, our collection of steam bent, ash wood storage and accessories celebrates the strength, versatility, and unique character of this sustainable natural material, whilst showcasing forward-thinking design at its very best.

Mirroring the allure of asymmetry, the circular Carn Mirror is destined to infuse your home with natural light and beauty. A steam bent hoop of sustainably sourced ash wood provides the perfect frame for a playful, off-centre mirror, which seemingly floats on the wall to create a distinctly contemporary aesthetic that will perfectly complete any minimalist space or stand out within a maximalist home. A commanding presence in any room, the striking wooden wall mirror is available in two sizes, each with a different orientation, allowing you to curate an abstract art display within bedrooms, hallways or living spaces.

Signature in style, timeless by nature.

Product Type : Accessories	SKU	Wood types	Dimensions L x W x H (mm)		Weight (kg)	
			Unboxed	Boxed	Unboxed	Boxed
Carn Mirror Small	TR-CAR-F-A-SML	Ash	Ø440 x 60	457 x 457 x 305	2.3	4.4
Carn Mirror	TR-CAR-F-A	Ash	Ø650 x 75	810 x 810 x 140	5.45	7.8
Materials	Ash 				Other materials Glass Mirror 	
Finish	Finished with a blend of natural wax oils to give a protective, hardwearing and beautiful finish.					
Care information	<ul style="list-style-type: none"> • Finish: The blend of natural oils can take up to four weeks to harden fully. Because of this, particular care should be taken in the first few weeks after delivery before cleaning, see below. • Care: Solid wood may expand and shrink with differences in temperature and humidity so take care not to place your furniture directly next to anywhere with excessive changes in temperature such as radiators and windows. • Cleaning: To clean on a regular basis wipe the surface with a damp cloth before removing any moisture with a dry cloth. Wipe off anything that will stain straight away, e.g. red wine, balsamic vinegar, oil, tea, coffee, alcohol, etc. In the event of severe spillages and stains the surface can be lightly re-sanded and re-oiled - please talk to us or a professional furniture restorer before doing so. 					
Additional information	<ul style="list-style-type: none"> • Product care instructions included. • Installation instructions and fixings included. 					