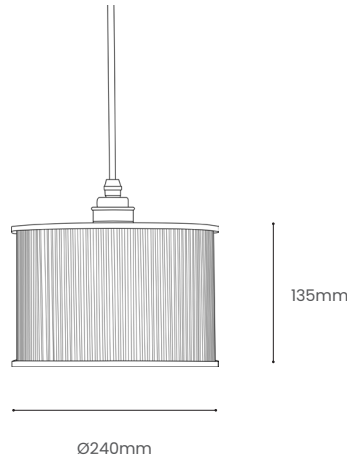


ARTUS PENDANT SMALL

Product Specification

Tom Raffield

Artus Pendant Small



A fine birch dowel cage contains its blown-glass bulb within. Daring yet delicate, the Artus Lighting Range diffracts a mesmerising pattern of shadows, dramatising your space.

118 ethereal dowels are slotted into a laser-cut birch plywood frame to shroud an exposed filament bulb. Intricately placed, each illuminated pillar distributes kaleidoscopic, vertical shadows that mesmerise the eye of the beholder. Handcrafted from sustainably sourced wood, this small wooden drum pendant provides eccentric beauty to any bedroom, hallway, or living space alike – whether suspended as a single pendant or in a self-curated cluster.

Illuminate. Pack a punch. Draw the eye.

Product Type : Pendant Light	SKU	Wood types	Dimensions L x W x H (mm)		Weight (kg)	
			Unboxed	Boxed	Unboxed	Boxed
Artus Pendant Small	TR-ART-P-B-SML	Birch	Ø240 x 135	260 x 260 x 260	0.15	1.25
Materials	Birch		Other materials Birch ply hanging disk			
Finish	Non-toxic, hard wearing water based varnish - Satin					
Wiring kit option : 1	Black ceiling rose and brass bulb holder	Ceiling kit	Flex		Recommended light bulb	
		Ceiling rose: Ø100mm E27 (240v) / E26 (110v)	Flex colour: black fabric Flex length: 2m (Adjustable)		Max 25W LED	
Wiring kit option : 2	Brushed steel ceiling rose and bulb holder	Ceiling kit	Flex		Recommended light bulb	
		Ceiling rose: Ø100mm E27 (240v) / E26 (110v)	Flex colour: light grey fabric Flex length: 2m (Adjustable)		Max 25W LED	
Care information	Dusting your light regularly and with a light feather duster should keep your light looking clean, otherwise wipe with a damp cloth and remove any moisture with a dry cloth. Gentle furniture polishes can also be used.					
Additional information	<ul style="list-style-type: none"> This light can be used with your existing E27/E26 pendant fitting. Suitable for use on 240v and 110v circuits. A shade ring adaptor can be supplied so the light can be used on a bayonet (B22) pendant fitting. Installation instructions included. 					