

Shelf Library Stainless Steel  
Permanent Collection

**FRAMA**

# Introduction

- 4      Permanent Collection  
         Furniture
- 6      Shelf Library Steel  
         Details  
                 Technical info
- 11     Contact



## Furniture Collection

Clean, architectural geometries paired with timeless, natural materials are what define the Frama Furniture Collection. Guided by a desire to create practical objects with a true sense of meaning and permanence, each piece in the Furniture Collection is designed for everyday and built to last for many years of use, gaining a natural patina over time.





## Shelf Library Steel

Frama introduces Shelf Library Steel, a celebration of bold lines and a gentle addition to any environment, designed by Kim Richardt.

Shelf Library Steel pays tribute to Frama's celebrated and versatile Shelf Library system made from solid oak. This new interpretation is an aesthetic statement embedded with practical functionality which explores a new modest approach to materiality.

Built entirely in stainless steel, the storage piece is characterized by a minimalistic and sleek look combined with a solid and durable structure- a harmonious dialogue between the lightness of forms and the solidity of materials.

Defined by smooth and linear geometries, Shelf Library Steel embeds the virtue of essentiality and multipurpose, a practical unit suitable to any living and working space. Thanks to its natural corrosion resistance, it withstands rough, heavy-use applications, whether in wet or dry spaces, indoor and outdoor, from hospitality to retail use, the shelf is a testament to its versatility.



Fastened with solid steel screws on steel rails, the shelves can easily be placed and restyled in a variety of ways, making it particularly customizable. The shelf's sleek and industrial appearance is softened by rounded details and a compact structure becoming an elegant piece to display and store goods and objects.

## The designer

*“Shelf Library Steel is conceived as a bold statement with a sleek industrial look where the choice of using metal becomes a governing force.”*

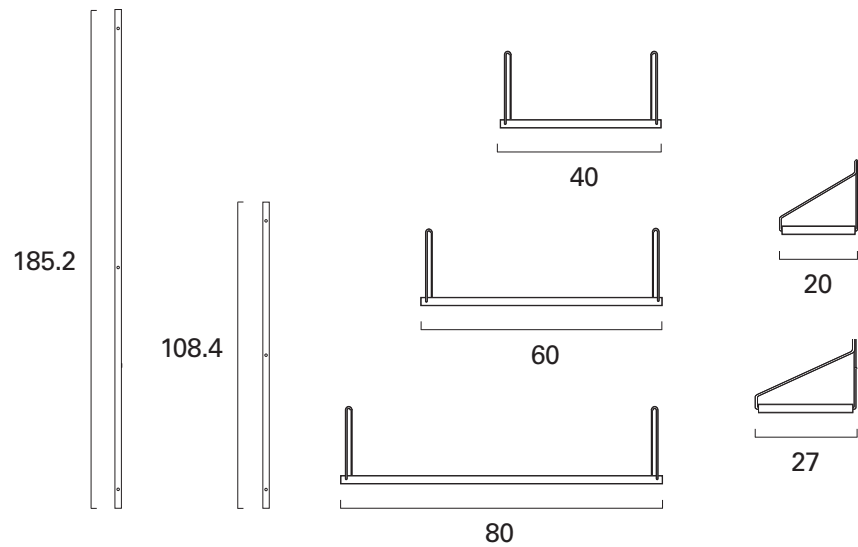
–Kim Richardt

Kim Richardt is a former blacksmith and a self-taught designer based in Copenhagen, Denmark, where his vintage design furniture boutique resides. Kim’s fascination with Danish Modern, a style of minimalist furniture associated with the Danish design movement of the 1940s and 1950s, is often influential in his work.

## The collaboration

Shelf Library Steel is created as an extension to Frama’s versatile shelving universe, a timeless and durable piece designed to fit a variety of environments.

The creative collaboration between Kim Richard and Frama has made possible the development of several products such as the KR-180 Daybed, the Ornament Candle Holders, the Shelf Library System, and the Richardt Chair.



## Details

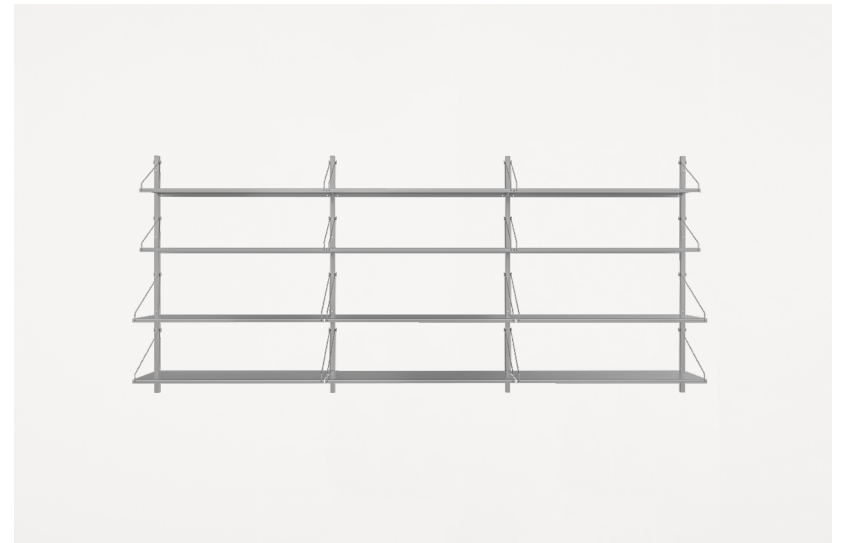
---

**Shelf Library Steel**

Product	Storage
Design	Kim Richardt
Origin	Lithuania
Materials	Steel
Dimensions	H108.4/185.2 W40/60/80 D20/27
Item number	8341–8348 / 8366–8379

---







Online store enquiries  
[shop@framacph.com](mailto:shop@framacph.com)

General enquiries  
[frama@framacph.com](mailto:frama@framacph.com)

Retail requests and orders  
[order@framacph.com](mailto:order@framacph.com)

Press  
[press@framacph.com](mailto:press@framacph.com)

Business/partnership requests  
[bc@framacph.com](mailto:bc@framacph.com)

Project requests  
[design@framacph.com](mailto:design@framacph.com)

Claims  
[claims@framacph.com](mailto:claims@framacph.com)

Accounting  
[accounting@framacph.com](mailto:accounting@framacph.com)

Address  
Frama Head Office  
Fredericiagade 57, 1310  
Copenhagen, Denmark  
+45 3140 6030  
CVR 35391355