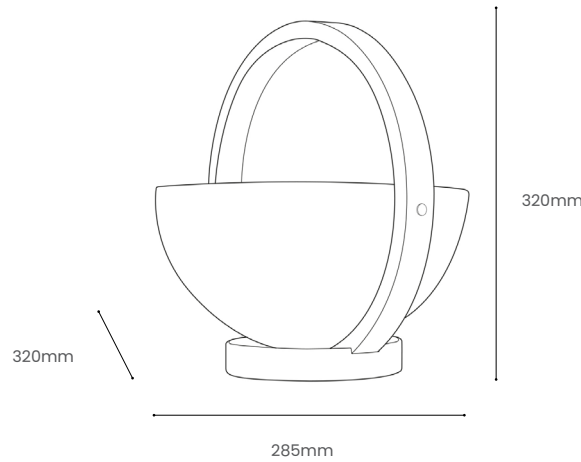


# MERTHER BOWL

## Product Specification

Tom Raffield

Merther Bowl



Summon nature inside, transform space. The pinch of a potter's hand, the sculpting skill in a steam bender's twist. Where traditional craftsmanship and innovative design fuse, our Green Range Planters breathe new life.

A design that is as practical as it is appealing, the ceramic Merther Bowl showcases refined lines, iconic steam bent curves, and timeless tones. A halo of sustainably sourced, ash wood soars around the multipurpose earthenware bowl, to create a modern basket form that can be transported from room-to-room. The handy tabletop design can be utilised as a bowl, planter, or trug – placed on tables to create a stunning centrepiece, arranged in kitchens to home herbs or fruit, or for harvesting vegetables and freshly cut flowers from the garden or allotment.

Inspired by nature, shaped by steam, curated by you.

Product Type : The Green Range	SKU	Wood types	Dimensions L x W x H (mm)		Weight (kg)	
			Unboxed	Boxed	Unboxed	Boxed
Merther Bowl	TR-GR-MERT-BWL	Ash	320 x 320 x 285	450 x 450 x 450	1.45	4.5kg
Materials	Ash	Earthenware	Other materials Brass Chicago Screws			
Finish	Finished with a blend of natural wax oils to give a protective, hard wearing and beautiful finish.					
Care information	<ul style="list-style-type: none"> <li>Caring for the earthenware bowl We have designed a striking set of earthenware bowls for our Green Range featuring a hard-wearing proactive glaze on the inside and a unique matte glaze on the outside, known as Engobe. Any fibres on a cleaning cloth will stick to the outside surface more easily due to this beautiful finish. We suggest you clean both the interior and exterior surface of the pot by gently wiping away any marks using warm soapy water and a lint free cloth. Once the pot is clean, gently dab dry using a soft, lint free cloth or towel.</li> <li>Caring for the wooden structure The bowl can be easily removed from its wooden holder before planting or watering. Should you want to water the plant in place, simply wipe away any surface moisture or water straight afterwards to minimise the chance of water stains. Mild furniture polishes can be used on the wood.</li> </ul>					
Additional information	<ul style="list-style-type: none"> <li>Product care instructions included</li> </ul>					

Tom Raffield Ltd, F3 Church View Business Park, Bickland Water Rd, Falmouth TR11 4FZ, UK

tomraffield.com contact@tomraffield.com +44 (0) 1326 722725 #tomraffield @tomraffield

Due to the character of handcrafted natural products, all dimensions are approximate. Wood colour may slightly vary.

All products, prices and leadtimes are correct at time of print and are subject to change without notice.