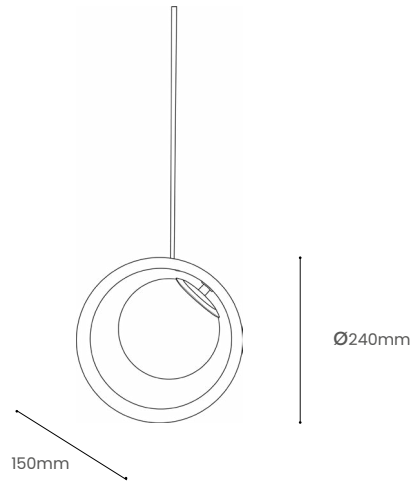


LOER PENDANT SMALL

Product Specification

Tom Raffield






Loer Pendant Small



Inspired by the elliptical orbits of the planets and moons that line the inner edges of our vast solar system, the Loer Lighting Range brings weightless illumination to any space it reaches. Combining a beautiful translucent glass sphere, sustainable steam bent ash wood and brushed metallic brass, the Loer showcases minimal, nature-inspired design at its finest.

Meaning 'Moon' in Cornish, the Loer Pendant Small showcases a translucent glass orb with clouded bands of warm celestial white light which suspends within a sleek halo of supple ash wood. Held in place by brass detailed fixings that reflect the soft illustrious glow of the spherical globe when illuminated, the opulent Loer Pendant Small looks equally as eye-catching when switched off. This contemporary wooden light is suited to an array of interiors and property styles and looks particularly striking suspended in self-curated clusters.

Illuminate space. Seek the extraordinary.

Product Type : Pendant	SKU	Wood types	Dimensions L x W x H (mm)		Weight (kg)	
			Unboxed	Boxed	Unboxed	Boxed
Loer Pendant Small	TR-LOER-P-A-SML	Ash	240 x 150 x 240	220 x 530 x 220	1.2	2.2
Materials	Ash 		Other materials Glass diffuser  Brass bulb holder 			
Finish	Non-toxic, hard wearing water based varnish - satin					
Ceiling kit options	Brushed brass ceiling rose and bulb holder 	Ceiling kit Ceiling rose: Ø100mm E27 (240v)	Flex Flex colour: gold  Flex length: 2m (Adjustable)	Recommended light bulb Max 9.5W LED		
Care information	Dusting your light regularly and with a light feather duster should keep your light looking clean, otherwise wipe with a damp cloth and remove any moisture with a dry cloth. Gentle furniture polishes can also be used.					
Additional information	<ul style="list-style-type: none"> Suitable for use on 240v circuits. Installation instructions included. 					