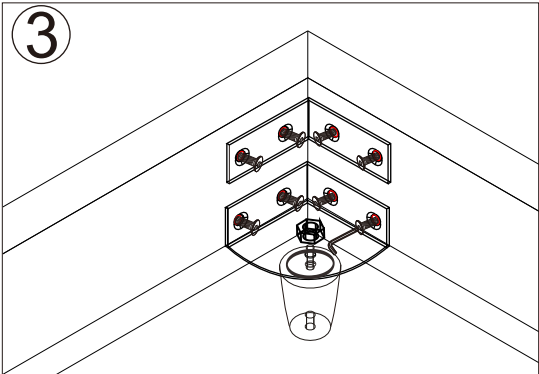
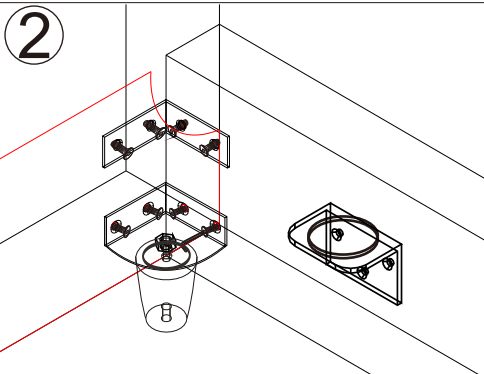


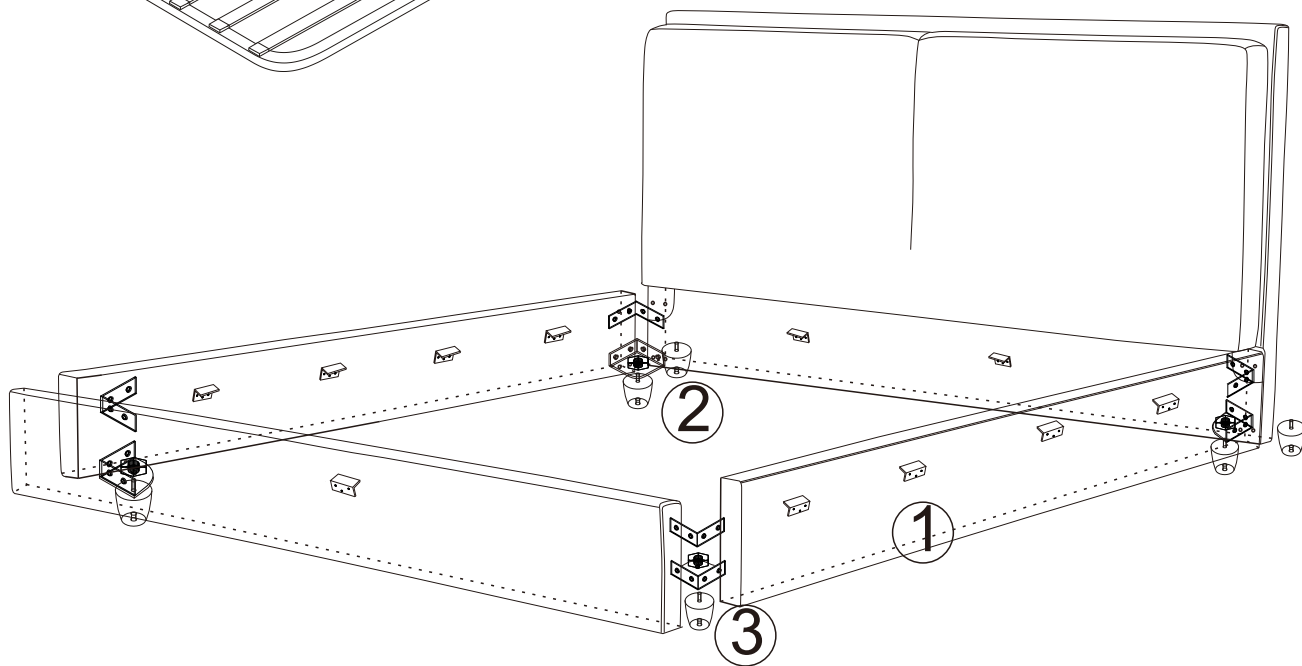
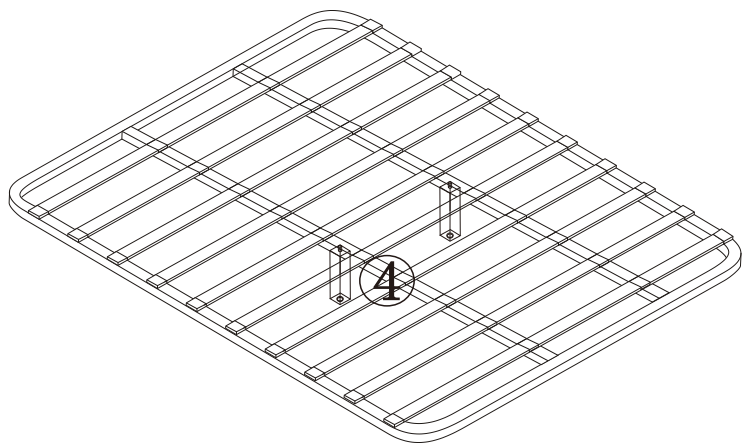
part code	PCS	Part
A	4 pcs	
B	4 pcs	
C	10 pcs	
D	32 pcs	8*25mm
E	30 pcs	5*40mm
F	10 pcs	33mm
G	4 pcs	10mm
H	6 pcs	4cm
I	1 pc	5mm
J	1 pc	22cm
K	1 pc	17mm-19mm

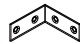

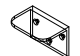

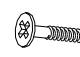




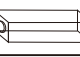

	Refer to diagram for specific operations
①	Assemble metal plate C with serew E and paste pad F in the headboard, siderails and footboard
②	Use bolt D to attach metal plate A and B, assemble the headboard and siderails, attach H on B, and fix it with nut G
③	Use bolt D to attach metal plate A and B, assemble the footboard and siderails, attach H on B, and fix it with nut G
④	Install slat on bed with part J



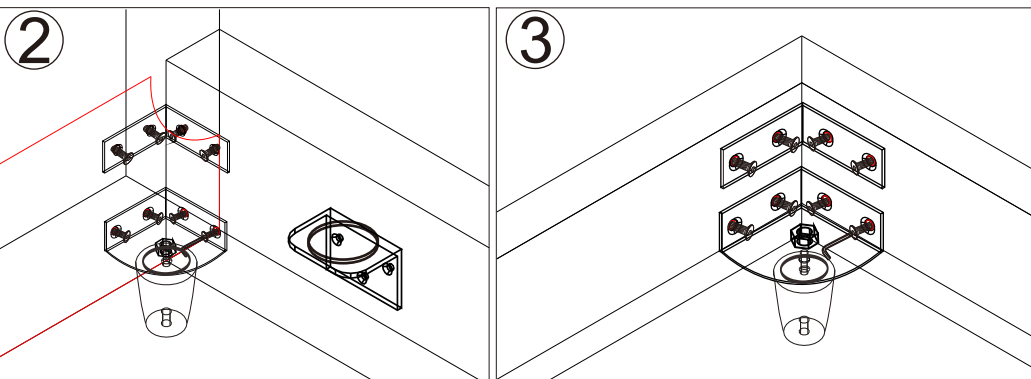
Please ensure all parts and hardware are including before getting started.

Size:	155*205 Queen Size
-------	--------------------



part code	PCS	Part
A	4 pcs	
B	4 pcs	
C	12 pcs	
D	32 pcs	 8*25mm
E	36 pcs	 5*40mm
F	12 pcs	 33mm
G	4 pcs	 10mm
H	6 pcs	 4cm
I	1 pc	 5mm
J	2 pcs	 22cm
K	1 pc	 17mm-19mm

	Refer to diagram for specific operations
①	Assemble metal plate C with serew E and paste pad F in the headboard, siderails and footboard
②	Use bolt D to attach metal plate A and B, assemble the headboard and siderails, attach H on B, and fix it with nut G
③	Use bolt D to attach metal plate A and B, assemble the footboard and siderails, attach H on B, and fix it with nut G
④	Install slat on bed with part J



Please ensure all parts and hardware are including before getting started.

Size:	195*205 King Size