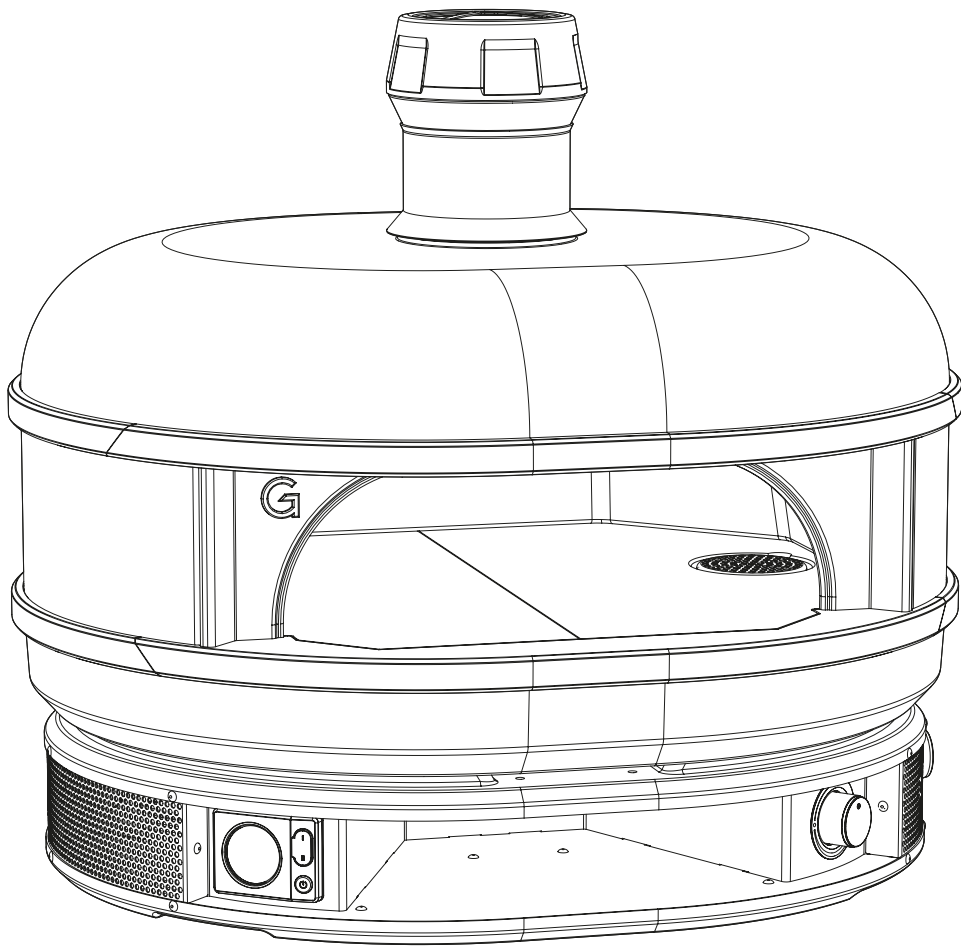


# SPECIFICATION SHEET

## GOZNEY DOME

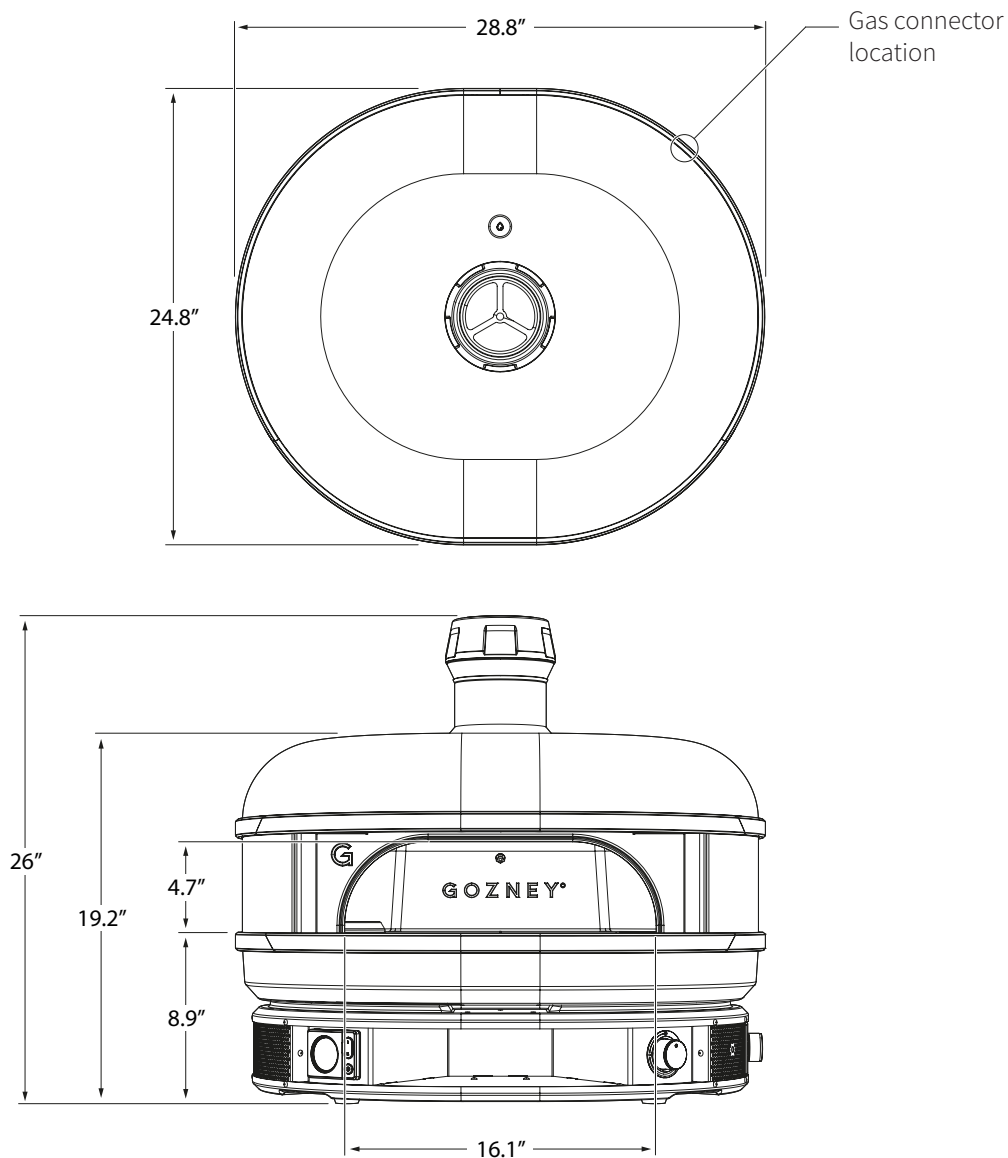


# Gozney Dome

## Product specification

Internal oven dimensions	Width 21.6" x Depth 18.5" x Height 7.5"
Pizza capacity	1 x 16" Pizza
Door size	Width 16.1" x Height 4.7"
Oven weight	127lb (150lb Boxed)
Clearance	Sides: 2" Front: 40" Top: 14"
Flue spigot	5" Dia
Maximum Hourly BTU's	28000 LPG/Butane/Propane
Recommended gas bottle *	20lb +
Gas Pressure	30mbar
Gas consumption	1lb per hour (Full output)

\*Oven comes with a 47" gas hose with 30mbar screw fit regulator for LPG Propane



\*Canopy must vent oven emissions to outside atmosphere.