

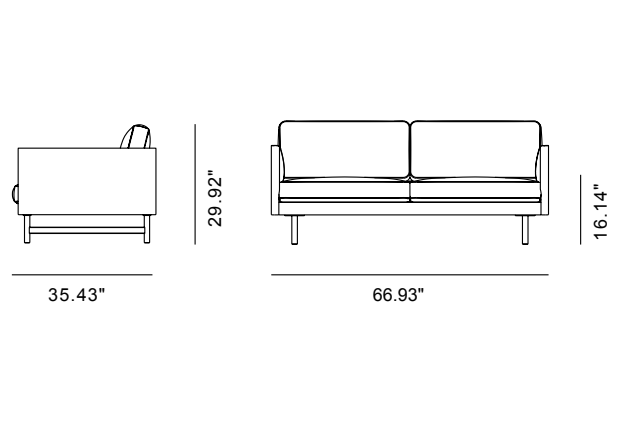
Calmo 2 Seater 80 Metal Base

By Hugo Passos, 2019

Model	5622 - Calmo 2 seater 80 Metal Base
About	The Calmo 2-seater sofa offers a roomy sense of cosiness, where straight lines converge with discrete curved details. Comfy cushions complete the picture in this understated expression of elegance.
Product group	Sofas
Measurements	66.93" L x 35.43" D x 29.92" H Seat: 16.14" H
Weight	58 kg
Materials	Legs of solid wood or steel. Inner frame of steel enforced hardwood. Seat undercarriage has nozag springs. Inner frame upholstered with CMHR or HR foam. The seat and back cushions have a foam core which is wrapped in a sectional inner cover containing a mix of feather and foam granulate. The sofa is available with upholstery in fabric or leather. When upholstered in fabric, the seat and back cushions are covered with fabric on both sides. Leather cushions have hessian backing. Seat and back cushion covers can be removed for cleaning. Other parts of the upholstery is not removable.
Accessories	Set of 3 cushions (P5522)
Test & certificates	FSC® certified EN 1022:2005, EN 16139:2013 (L2)
Guarantee	Fredericia Furniture A/S offers a 7 year guarantee against manufacturing defects in standard products (materials and construction). Wear and damage to covers, surface treatment, inappropriate use and the like are not covered by the warranty.
Download	Click here to download images, architect files at our partner portal.



DRAWING



WOOD / METAL FRAME



Upholstery according to current price list.