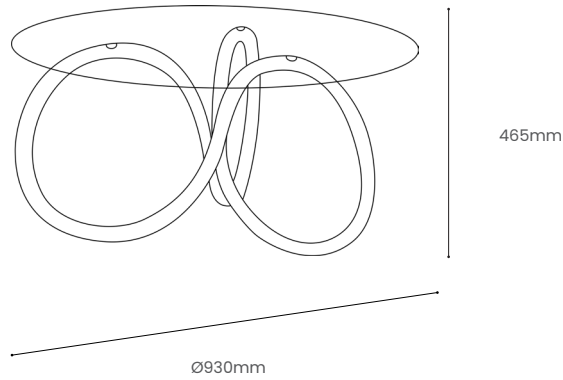


HYLO COFFEE TABLE

Product Specification

Tom Raffield

Hylo Coffee Table



Showcasing the eternal beauty of sustainable design, the circular Hylo Coffee Table is a seamless blend of timeless style and nature's forms.

Our iconic steam bent curves made of sustainably sourced ash, soar gracefully to converge, creating a robust foundation. Forming a seamless and fluid silhouette, this unique round coffee table is sure to catch the eye and ignite conversations. Topping this exceptional piece is a sleek glass surface, inviting you to appreciate the high-quality craftsmanship of the underlying, curving wooden base - elevating the table's elegance.

Iconic curves with a sustainable soul.

Product Type : Table	SKU	Wood types	Dimensions L x W x H (mm)		Weight (kg)	
			Unboxed	Boxed	Unboxed	Boxed
Hylo Coffee Table	TR-HYLO-F-A	Ash	Ø930 x 465	-	12.15	-
Materials	Ash	Glass	Other materials			Brass Mountings
Finish	Finished with a blend of natural wax oils to give a protective, hardwearing and beautiful finish.					
Care information	<ul style="list-style-type: none"> Finish: The blend of natural oils can take up to four weeks to harden fully. Because of this, particular care should be taken in the first few weeks after delivery before cleaning, see below. Care: Solid wood may expand and shrink with differences in temperature and humidity so take care not to place your furniture directly next to anywhere with excessive changes in temperature such as radiators and windows. Cleaning: To clean on a regular basis wipe the surface with a damp cloth before removing any moisture with a dry cloth. Wipe off anything that will stain straight away, eg red wine, balsamic vinegar, oil, tea, coffee, alcohol, etc. In the event of severe spillages and stains the surface can be lightly re-sanded and re-oiled - please talk to us or a professional furniture restorer before doing so. 					
Additional information	<ul style="list-style-type: none"> Product care instructions included. 					