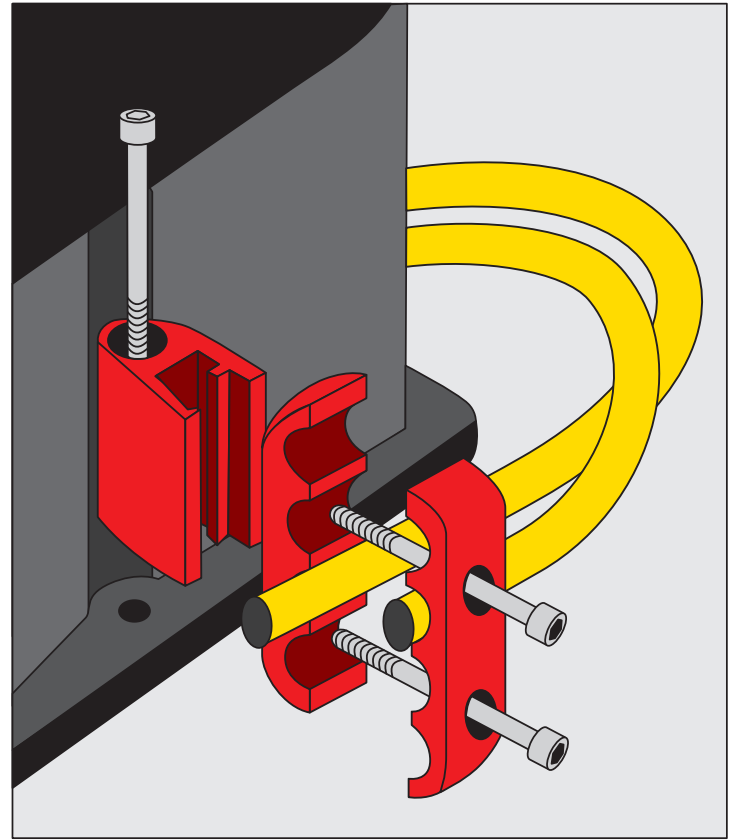
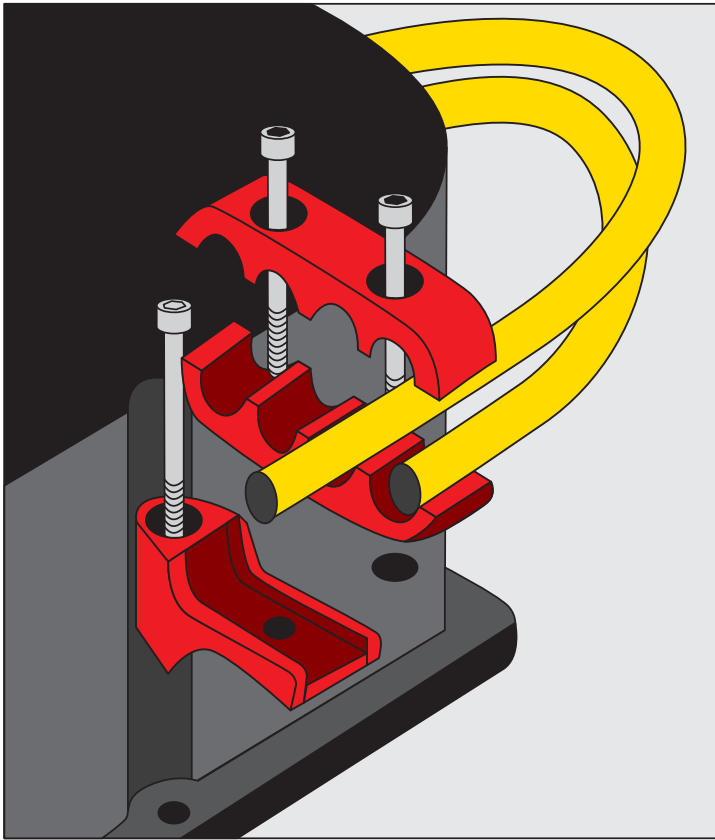


INSTALLATION INSTRUCTIONS

Horizontal / Vertical Wire Looms



Horizontal

1. Replace one of the screws from the separator with a longer 1" screw provided in the kit.
2. Place the nut from the separator on the bottom of the bracket and assemble.

Vertical

1. Replace one of the screws from the separator with a longer 1" screw provided in the kit.
2. Slide nut from the separator into the slot on the bracket and tighten.

Revised: 01/10/22 - ISO50

For customer service or technical help please contact us at 909-599-5955

909-599-5955

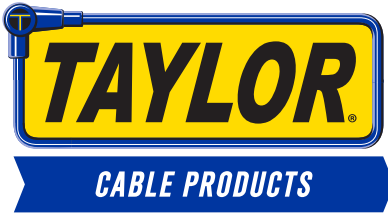
440 E Arrow Hwy • San Dimas, CA

www.pertronixbrands.com



Follow Us

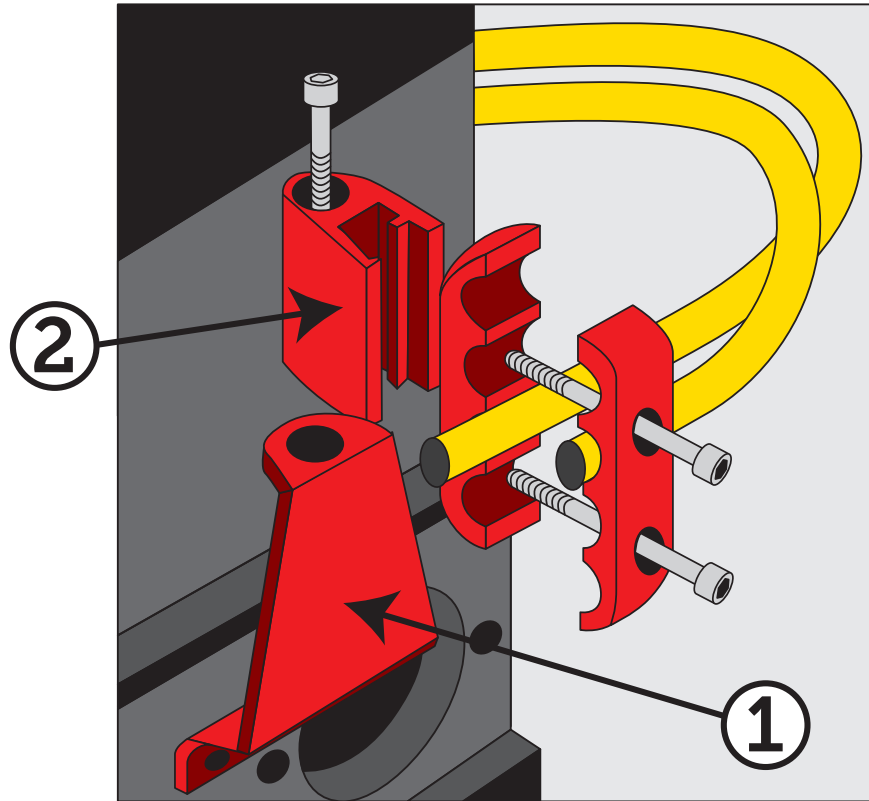




INSTALLATION INSTRUCTIONS

Horizontal / Vertical Wire Looms

Part #42600



Horizontal / Vertical

1. Bolt the aluminum bracket to the cylinder head as shown in the illustration above.
2. Fasten the vertical or horizontal bracket to the aluminum bracket with the bolts supplied in the loom kit. 1/4-20 nuts and lock washers will be required.

(Hardware is NOT supplied)

Revised: 01/10/22 - ISO50

For customer service or technical help please contact us at 909-599-5955

909-599-5955

440 E Arrow Hwy • San Dimas, CA

www.pertronixbrands.com



Follow Us

