

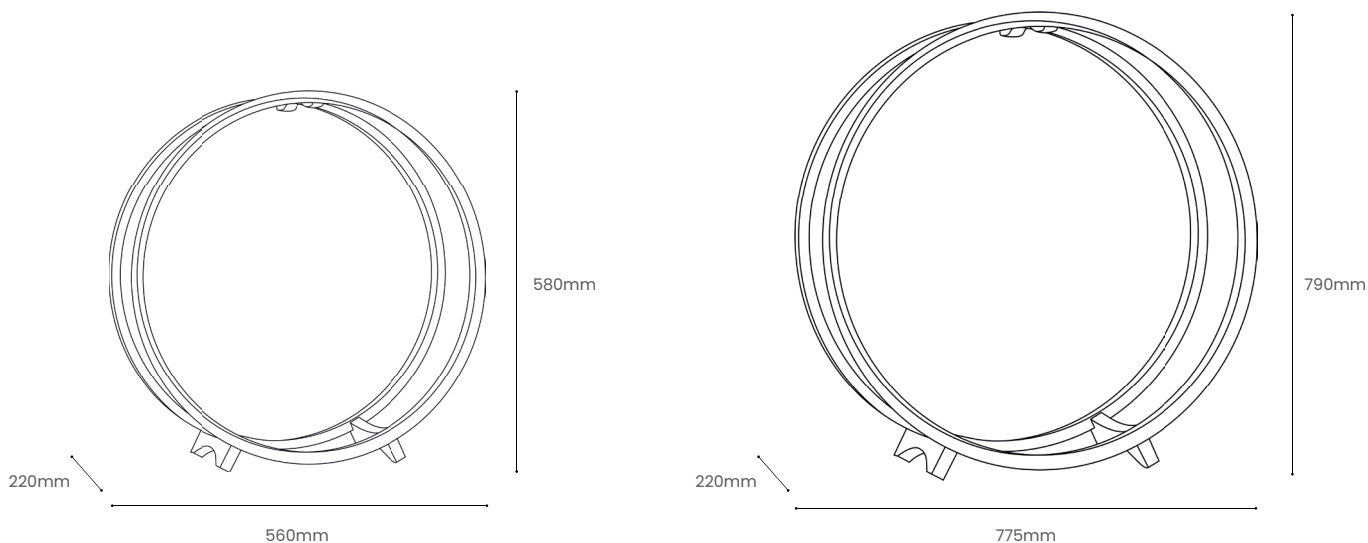
LOG LOOP

Product Specification

Tom Raffield

Log Loop


Log Loop Large



Two dynamic hoops of steam bent ash join together in a marriage of form and function. The Log Loop celebrates our signature curved aesthetic and honours our favourite natural material.

Cradling the logs stowed within, the simple organic curved form of the Log Loop is handcrafted from sustainably sourced ash. A welcome addition to homes throughout every season, the Log Loop can hold your timber, cosy blankets, or wine bottles, for easy access. A conversation-striking yet practical design, this steam bent storage design puts your décor centre stage.

Let the Log Loop light up your fireside.

Product Type : Furniture	SKU	Wood types	Dimensions L x W x H (mm)		Weight (kg)	
			Unboxed	Boxed	Unboxed	Boxed
Log Loop	TR-LL-F-A	Ash	560 x 220 x 580	600 x 600 x 350	2.05	4.4
Log Loop Large	TR-LL-F-A-LRG	Ash	775 x 220 x 790	950 x 250 x 810	2.6	6.2
Materials	Ash				Other materials	
Finish	Finished with a blend of natural wax oils to give a protective, hardwearing and beautiful finish.					
Care information	<ul style="list-style-type: none"> Finish: The blend of natural oils can take up to four weeks to harden fully. Because of this, particular care should be taken in the first few weeks after delivery before cleaning, see below. Care: Solid wood may expand and shrink with differences in temperature and humidity so take care not to place your furniture directly next to anywhere with excessive changes in temperature such as radiators and windows. Cleaning: To clean on a regular basis wipe the surface with a damp cloth before removing any moisture with a dry cloth. Wipe off anything that will stain straight away, eg red wine, balsamic vinegar, oil, tea, coffee, alcohol, etc. In the event of severe spillages and stains the surface can be lightly re-sanded and re-oiled - please talk to us or a professional furniture restorer before doing so. 					
Additional information	<ul style="list-style-type: none"> Product care instructions included. 					