

Outpost

Vehicle-Mounted Hammock Stand

KAMMOK

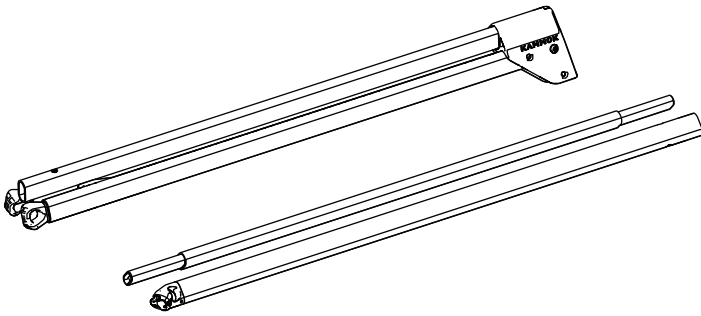
Setup Instructions

Table of Contents

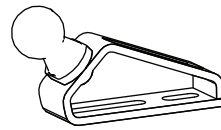
Outpost Mount Setup.....Page 2
Outpost Setup.....Page 3

Parts Included

Outpost Frame x1



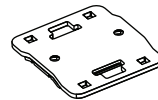
Ball Hitch Mount x1



Hammock Straps x2



Clamp Mounting Plates x2



Hardware Pack x1



What You'll Need

#4 Allen Wrench



#5 Allen Wrench



**Adventure grade.
Better made.**

Designed in Austin, Texas | Made in China



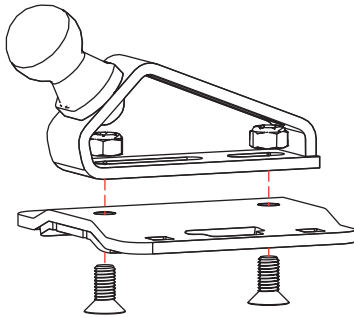
Flip for Instructions ▶

WARNING: Max Weight Capacity 350 Lbs. USE HAMMOCK STAND WITH CAUTION. INHERENT RISKS EXIST. Do not modify the stand or hammock in any way; modification may result in failure or injury and will void your lifetime warranty.

Outpost Mount Setup

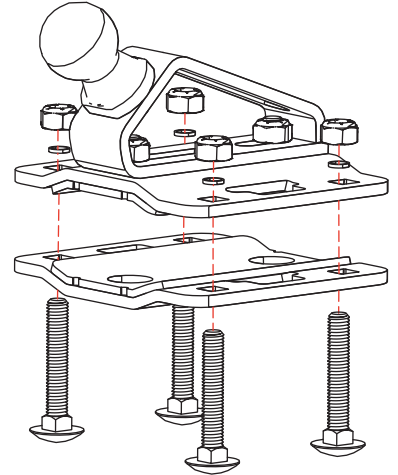
Setting up the Outpost Mount

- 1 Mount one of the clamp plates to the ball hitch assembly using two of the nylock nuts and flush head bolts.



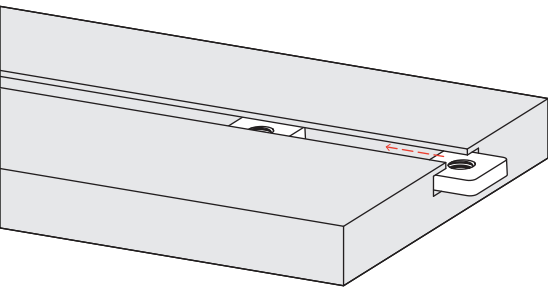
- 2 Insert the 4 longer hex head bolts through the bottom of the other clamp plate, and position the mount assembly on your rack/crossbars.

*Make sure all bolts are securely fastened to ensure the safety of this product.

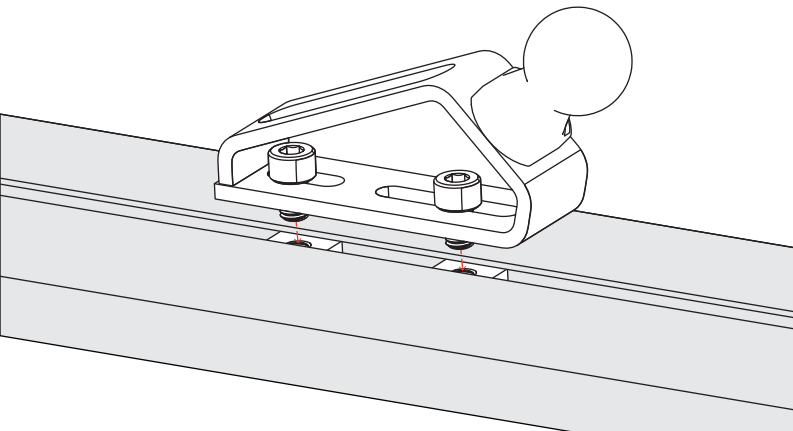


Horizontal T-Slot Mount Setup

- 1 Slide two T-slot nuts into your desired position in the T-slot channel.



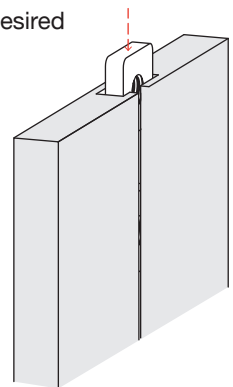
- 2 Position the ball hitch assembly over the T-slot nuts. Bolt securely in place using two of the hex head bolts.



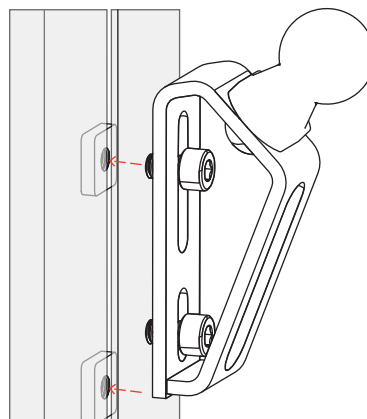
OR

Vertical T-Slot Mount Setup

- 1 Slide two T-slot nuts into your desired position in the T-slot channel.



- 2 Position the ball hitch assembly over the T-slot nuts. Bolt securely in place using two of the hex head bolts.



WARNING: Max Weight Capacity 350 Lbs. USE HAMMOCK STAND WITH CAUTION. INHERENT RISKS EXIST. Do not modify the stand or hammock in any way; modification may result in failure or injury and will void your lifetime warranty.

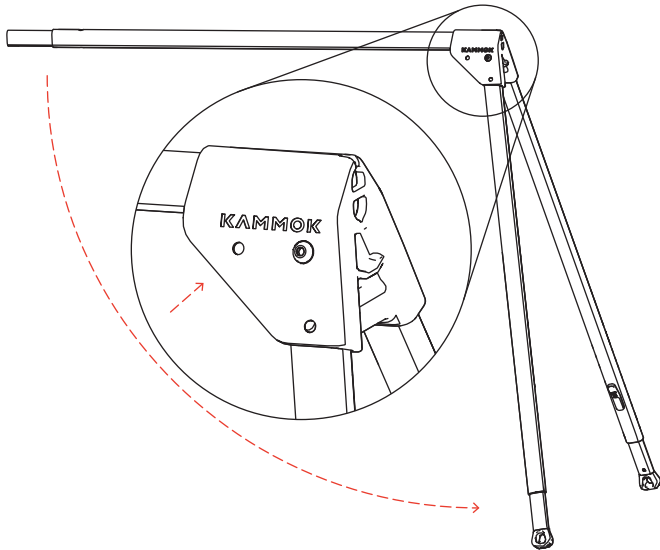
Outpost Setup

Setting up the Outpost

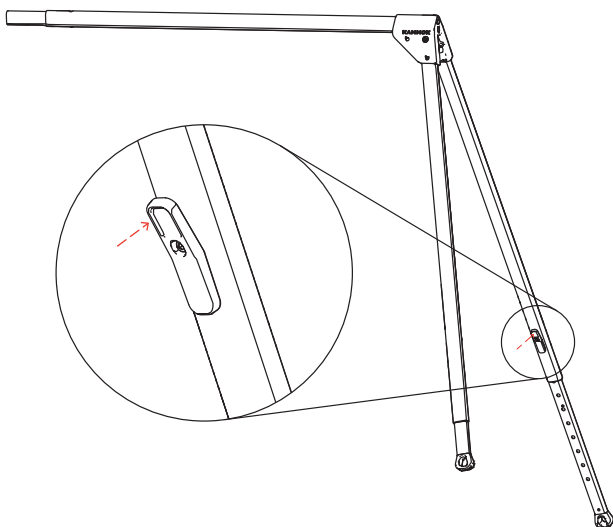
- 1 Remove your Outpost from the bag.



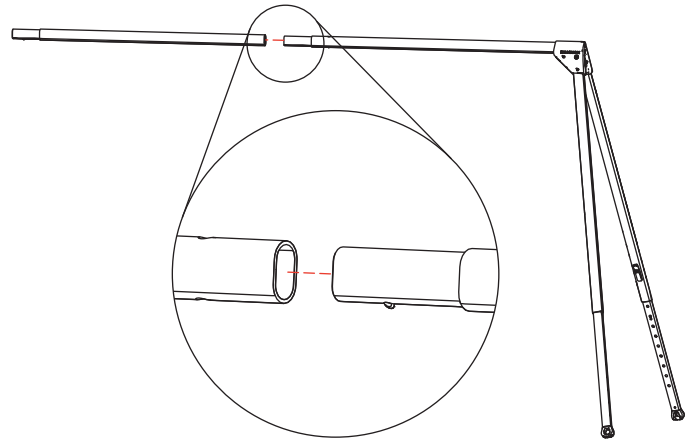
- 2 Press the spring pin buttons on the main pivot joint in, one at a time, to deploy the legs into the open and locked position.



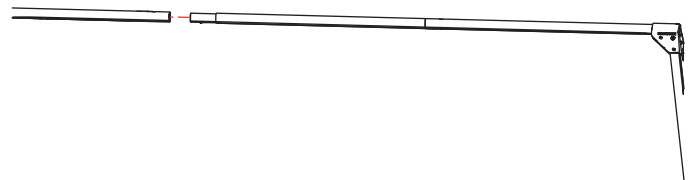
- 3 Telescope the legs to the approximate desired height by pressing the top of the release lever.



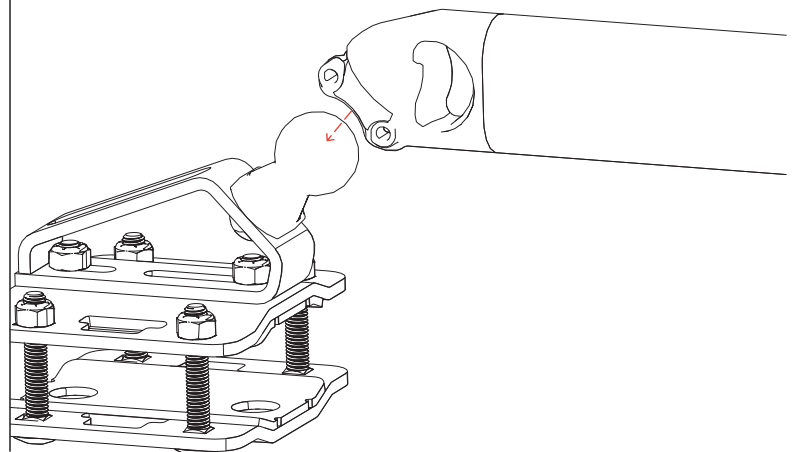
- 4 Attach the middle section of the structural ridgeline.



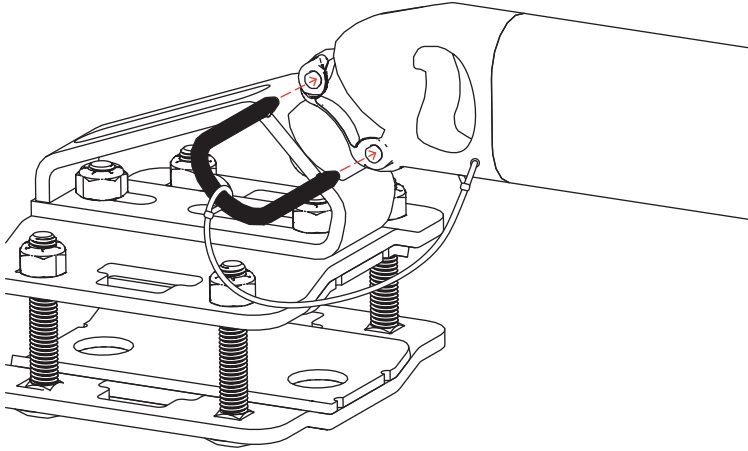
- 5 Attach the ball receiver section of the structural ridgeline.



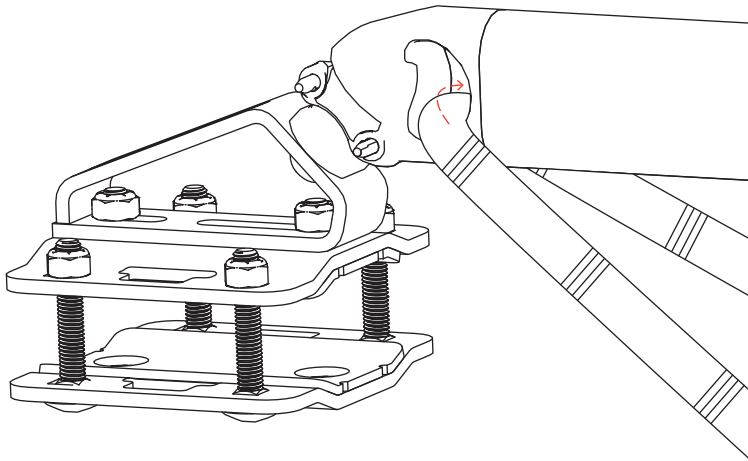
- 6 With the "A" frame legs resting on the ground, lift the receiver end of the structural ridgeline and drop it onto the ball hitch mount.



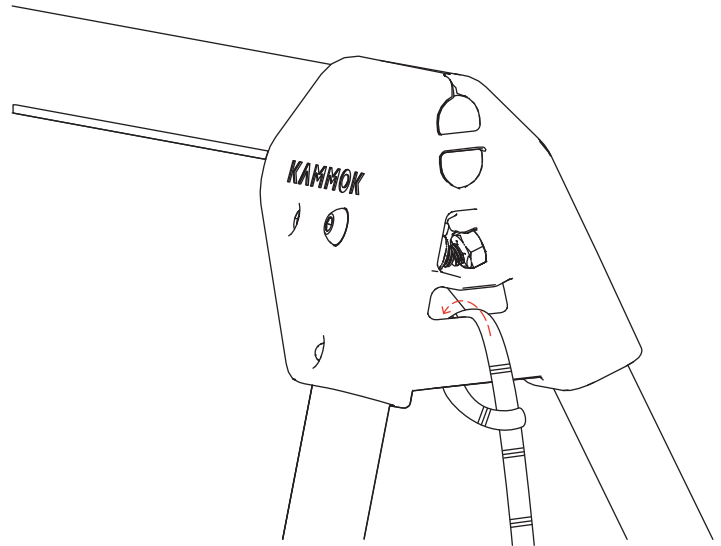
- 1 Install the “U” shaped lock pin to secure the Outpost to the mount.



- 2 Loop the one of the included straps through the hole on the hitch receiver.



- 3 Loop the other included strap through the strap bar on the main pivot joint.



- 4 Connect both straps to your hammock and enjoy!

