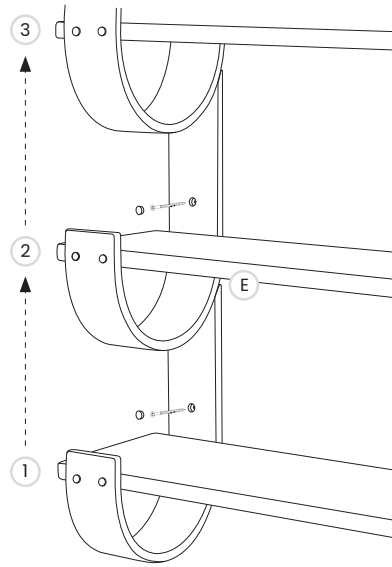
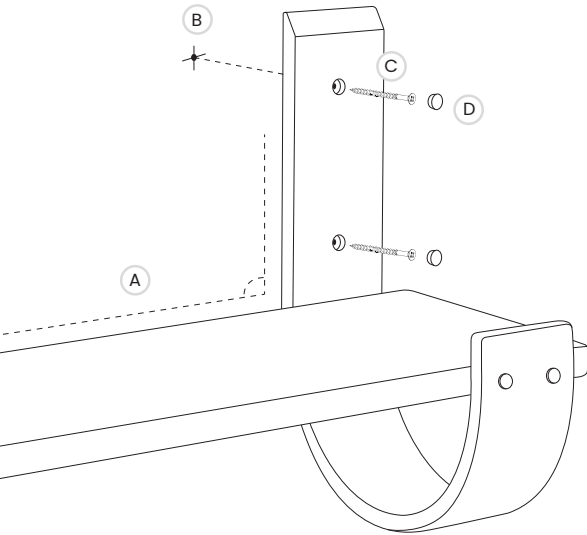


Kesu Shelf Installation Instructions



***** The Kesu Shelf can carry a maximum of 12kg of evenly distributed weight when properly mounted on the wall. *****

1. Identify if there are any hidden pipes or electrical cables in the wall to avoid causing damage or risk of electrical shock during installation. Hold the Kesu Shelf up to the chosen wall making sure the shelf is completely level (A). Make a pencil mark through the fixing holes of both bent wooden brackets (B). **The wall must be capable of supporting the weight of the Kesu Shelf when fully loaded.** Determine the fixing method appropriate to the wall structure (e.g. plaster board plugs for a 4mm screw). If attaching to a wooden surface, no additional fixings are required. We would always recommend finding joists if possible.
2. Using a pozi-driv head screwdriver and the screws provided (C), screw the bent wooden brackets to the wall. Firmly tap in the wooden plugs provided (D), concealing the screws to complete the installation.

*The Kesu shelf has been designed so that it can be stacked one on top of the other. If you are fitting more than one Kesu shelf to the wall in an interlocking stack, it is important to **start with the lowest shelf first (1 - 2 - 3)**. The wooden bend of the shelf above will cover the uppermost screw hole of the shelf below, making it impossible to fix the screw in place. Once the first shelf is level and screwed to the wall, positioning the next shelf in the stack becomes alot easier as the bend rests on the chamfered edge (E) of the shelf bracket below. Continue adding to the stack in the same way.*

***** The Kesu Shelf is intended for indoor use only.*****