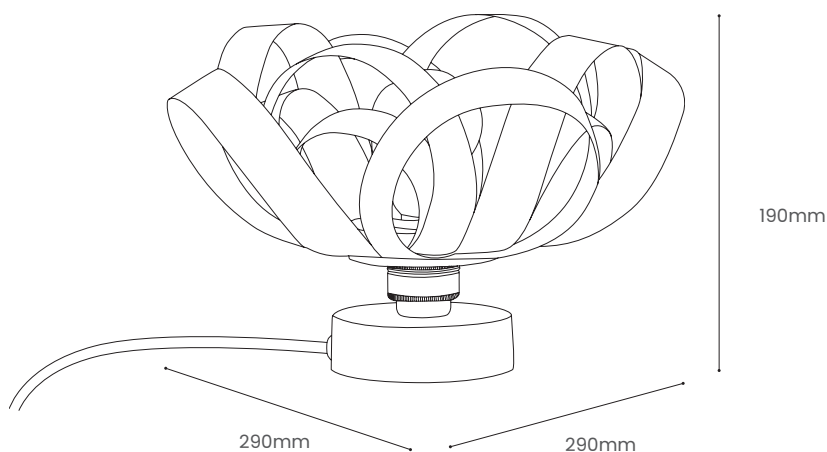


SKIPPER TABLE LIGHT

Product Specification

Tom Raffield

Skipper Table Light



Undulating loops of timber navigate over and around. Where pared back design meets our signature curves, the Skipper Lighting Range leads the charge.

Scandinavian design principles and our sought-after aesthetic, merged to create our most iconic design. A unique wooden table lamp that celebrates natural materials and handcrafted skill, the Skipper Table Light is created from twelve individual, sustainably sourced ash, oak or walnut wood petals and designed to produce golden light upwards and outwards, and eye-catching shadow effects in equal measure. Well suited for hallways, living spaces and home offices, the Skipper Table Light adds personality in abundance.

Achieve impact with a lighter touch. Embrace simplicity. Make a statement in your space.

Product Type : Table Light	SKU	Wood types	Dimensions L x W x H (mm)		Weight (kg)	
			Unboxed	Boxed	Unboxed	Boxed
Skipper Table Light	TR-SKIP-TBL-A	Ash	290 x 290 x 190	310 x 520 x 170	0.75	1.35
	TR-SKIP-TBL-O	Oak				
	TR-SKIP-TBL-W	Walnut				
Materials	Ash	Oak	Walnut	Other materials Birch ply disk		
Finish	Non-toxic, hard wearing water based varnish - satin					
Wiring kit options	Brushed brass bulb holder and base with black inline switch and plug	Wiring kit	Flex		Recommended light bulb	
		Plastic inline switch	Flex colour: gold fabric		Max 25W LED	
		E27 (240v)	Cable length: 228cm from plug to bulb holder			
Care information	Dusting your light regularly and with a light feather duster should keep your light looking clean, otherwise wipe with a damp cloth and remove any moisture with a dry cloth. Gentle furniture polishes can also be used.					
Additional information	<ul style="list-style-type: none"> Suitable for use on 240v circuits. This product can be plugged straight into a 240v outlet. ø100mm base 					