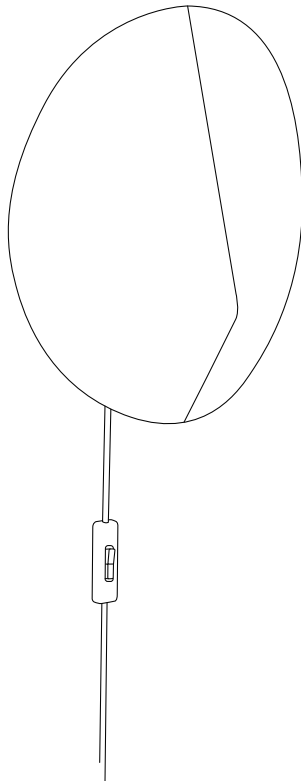


Arum Wall Sconce

Assembly manual



ferm
L I V I N G

General Instructions

PLEASE READ BEFORE INSTALLATION

WARNING:

The safety of this fitting can only be guaranteed if the following instructions are observed during both installation and use. Please retain these instructions safely after installation.

PLEASE OBSERVE THE FOLLOWING GUIDELINES:

- Ensure that the power supply has been switched off prior to installation or removal of the product.
- Never undertake an electrical installation without the proper knowledge or training. If not familiar with electrical wiring, contact a qualified electrician.
- The product may in no way be modified or tampered with. Any modification may compromise safety and make the product itself dangerous to use. FERM LIVING does not accept any responsibility for products that have been modified.
- This product requires the use of a lightbulb that is not included. Please use a lightbulb that has the relevant safety certifications and approvals for your area.
- Any modification must be performed only by qualified personnel to avoid any danger.
- This product is meant for indoor use only.
- This appliance should not be disposed in a domestic trash receptacle and should instead be recycled appropriately.

CLEANING INSTRUCTIONS:

- Use only a soft cloth to clean the product. Dampen the cloth with water and soap or a mild cleanser if needed.

MORE INFORMATION:

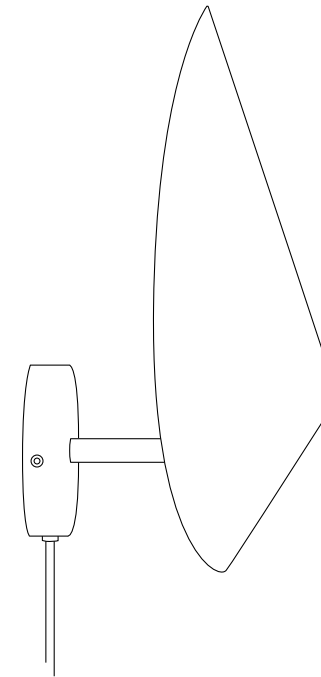
To access further information such as product overview and material descriptions, please visit our website at www.fermliving.com. If you have any questions or comments, please do not hesitate to contact us at info@fermliving.com.

Technical Specifications

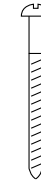
ARUM WALL SCONCE

Voltage: 220-240V – 50Hz
Dimmable: No
Certification: CE, IP20 Class II
Light source: E14 socket base
Adapter: Bulb max 25w incandescent or max 12w LED

Box Content



1 x Lamp



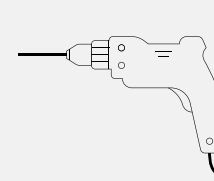
2 x Wall screws



2 x Wallplugs

Tools

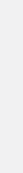
NEEDED TOOLS



Electrical drill



Screwdriver notched



Pencil

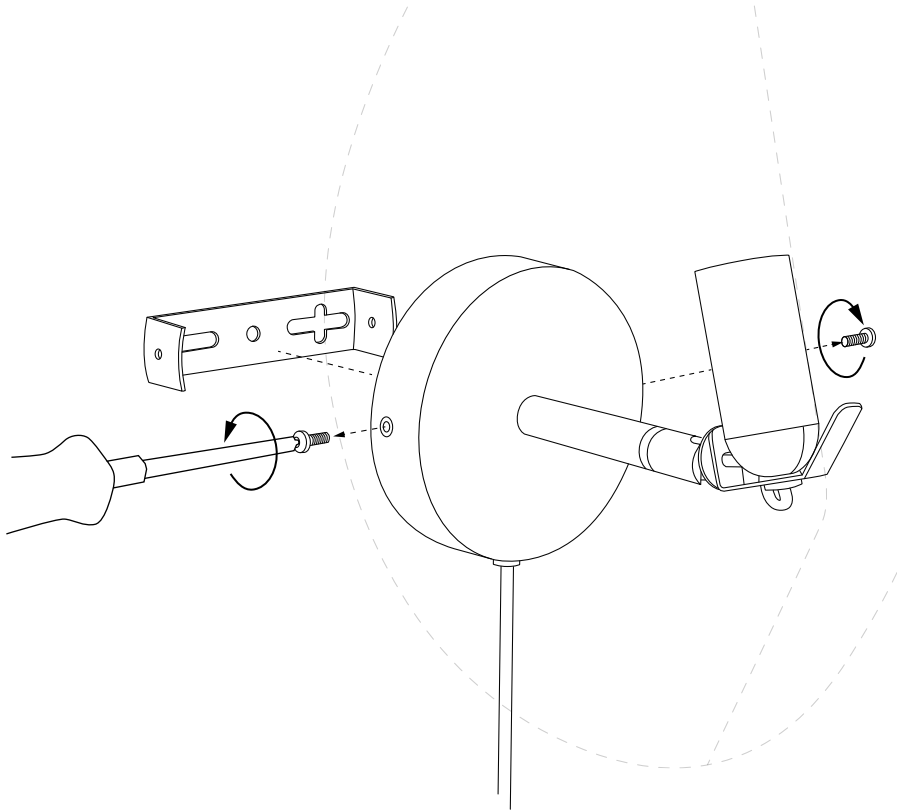
RECOMMENDED TOOLS



Spirit level

Assembly Process

1

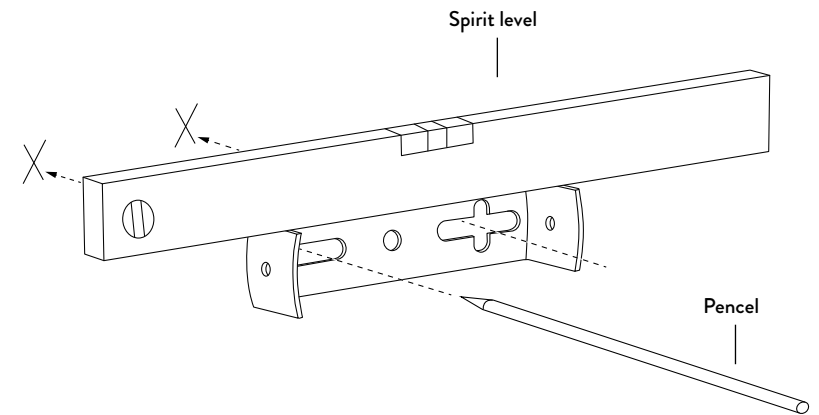


Unscrew the 2 screws on each side of the lamp and remove the bracket

4

Assembly Process

2

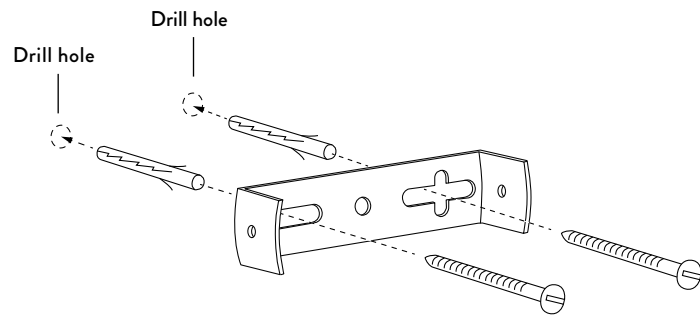


Mark two holes on the wall with a pencil.
Use the spirit level to position the bracket

5

Assembly Process

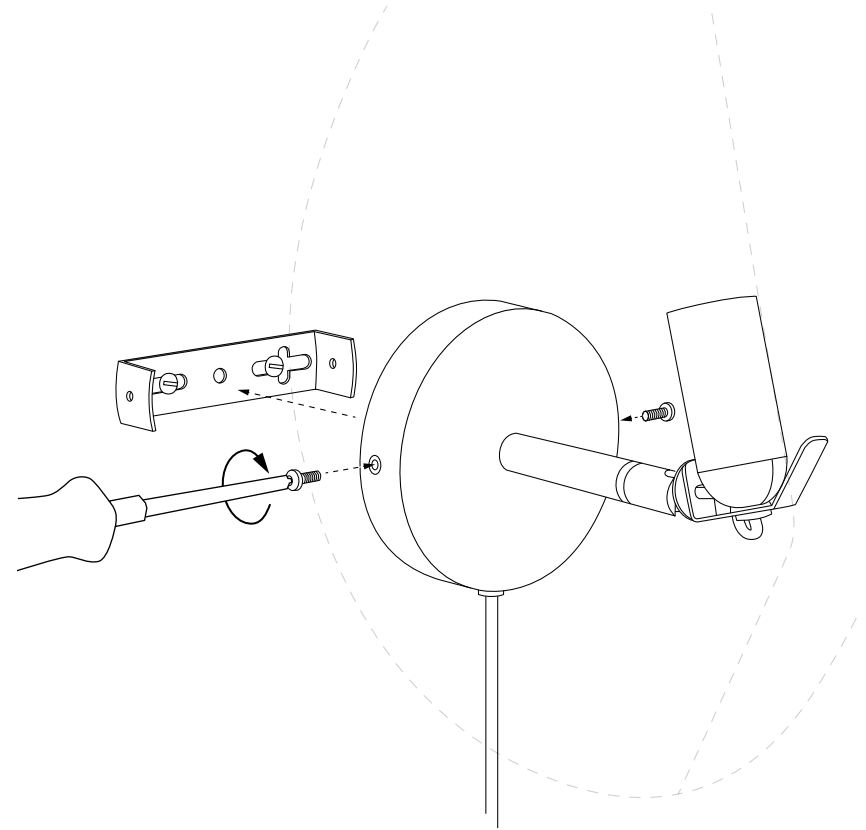
3



Drill two holes with the Electrical drill on the marks.
Mount the bracket with 2 wallplugs and 2 screws

Assembly Process

4

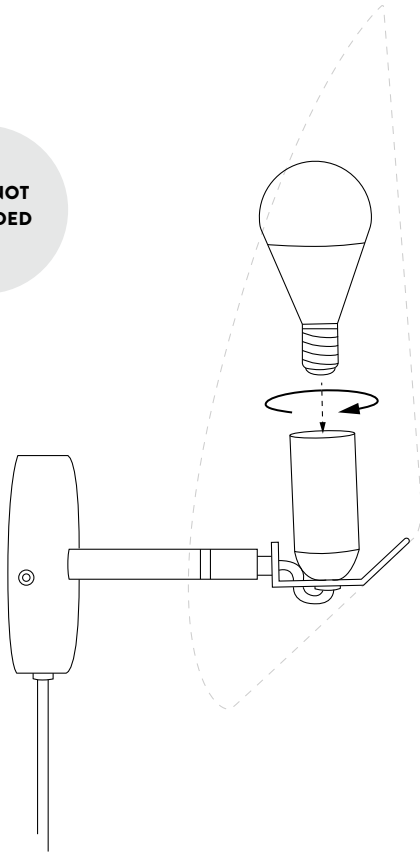


Mount the lamp on the wall with the 2 screws in bracket

Assembly Process

5

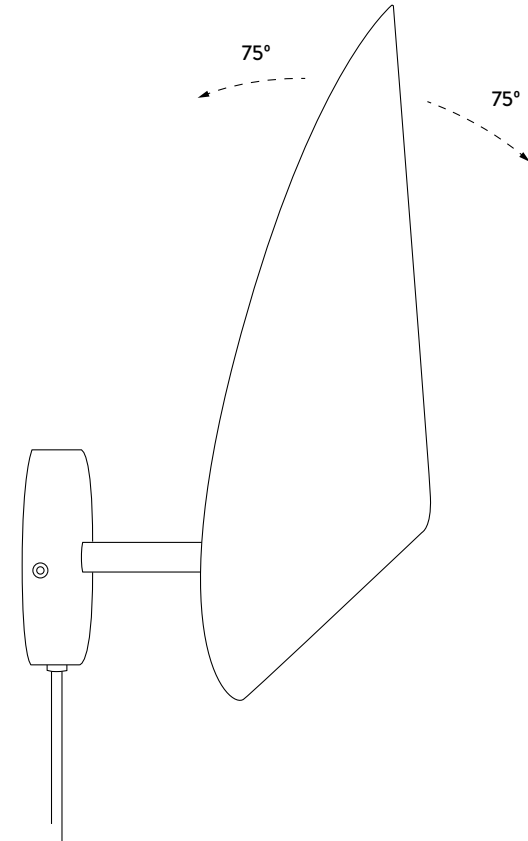
BULB NOT INCLUDED



Mount a bulb E14 in the lamp

Assembly Process

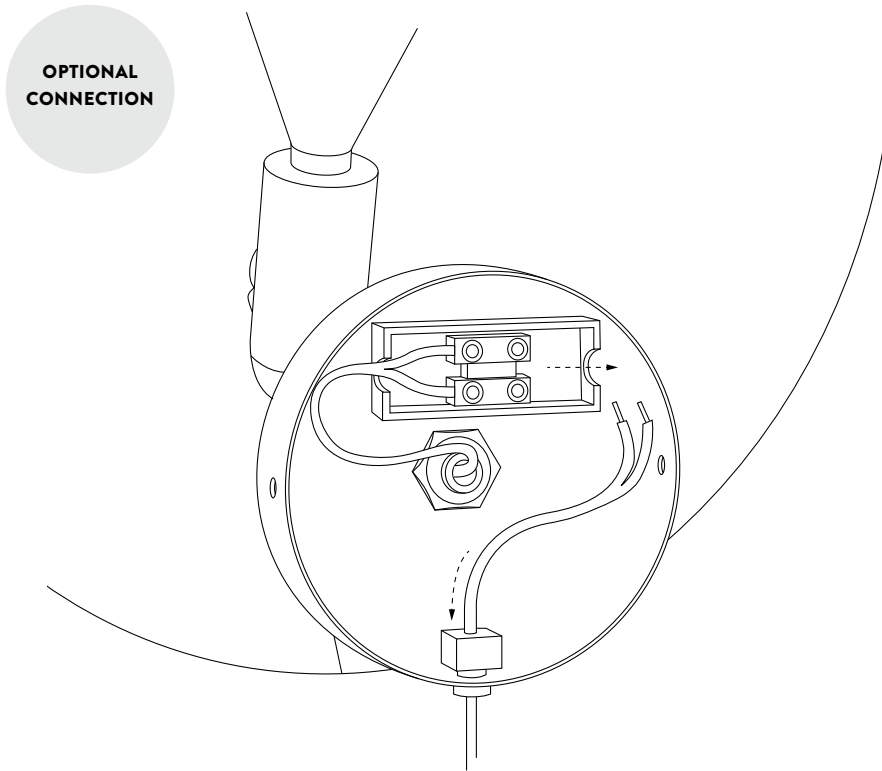
6



Adjust the position of the lamp up and down

Assembly Process

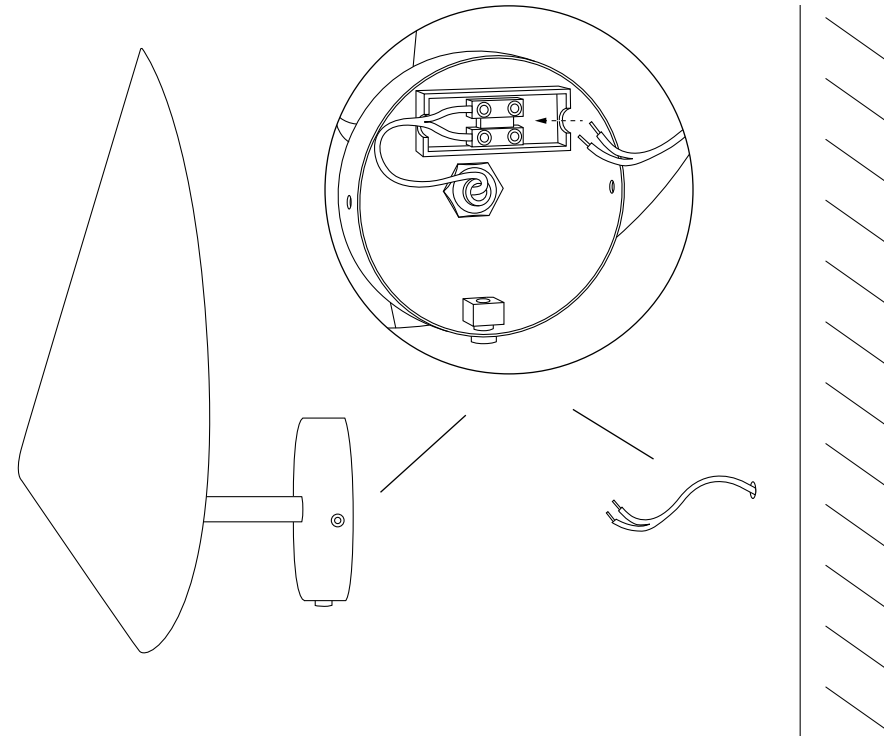
7



Remove the existing cord from the socket and pull it out completely

Assembly Process

8



Then connect the hardwire cord from the wall back to the socket

fermliving.com