



The iconic 925 Scarpa lounge chair is a strikingly elegant lounge chair. Easily recognized by its firm and robust wooden frame and the striking contrast it creates to the lightness of the leather covered seat and backrest.

The anatomical design of the leather-covered seat, combined with the natural elasticity of the cantilevered backrest, creates a lounge chair that is equally comfortable and strikingly elegant.

The 925 Scarpa lounge chair was designed alongside the charming 121 Scarpa dining chair from 1965. The two chairs are a prime example of Afra and Tobia Scarpa's work and share the same double trestle structure with characteristic rounded joints. Both designs are now a part of the Karakter collection.

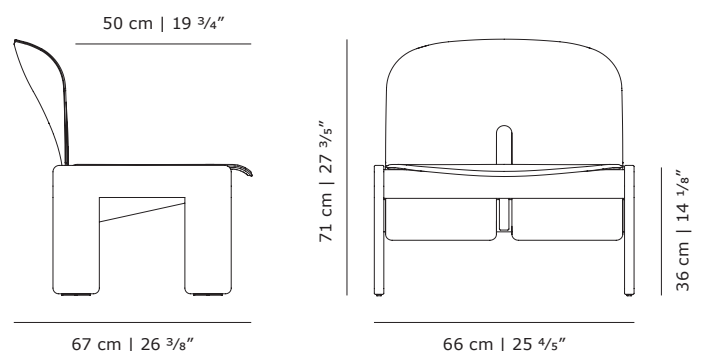
PRODUCT DATA

| | |
|--------------|--|
| Design | Afra & Tobia Scarpa. 1966 |
| Product type | Lounge chair |
| Environment | Indoor |
| Materials | Frame in solid ash, upholstery in saddle leather, plastic glides |

CAL.117

CAL.117 foam

LIST \$4,975

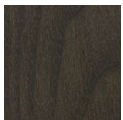




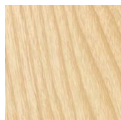
Scarpa 925

Frames and upholstery

Frames

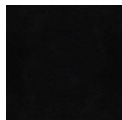


Solid ash
mocca stained



Solid ash
natural

Upholstery - Cassina saddle leather



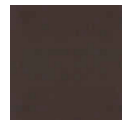
Nero



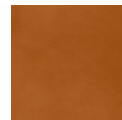
Rosso Bulgaro



Naturale



Marrone



Cognac