



ION CRAMPON

Installation and User Instructions

Integrating the ION Crampon Adapter Plate into the ION or ZED binding:

- Identify the 4 counter sunk head machine screws (6). These screws have a #2 Phillips head. Ensure the screws have thread lock applied.
- Slide the front portion of the crampon adapter plate (5) into the slot between the ski and the back edge of the binding toe piece. Align the threaded holes in the adapter plate with the holes in the back edge of the toe piece.
- Thread both screws (6) into the threaded adapter plate. Tighten with a Phillips screwdriver to 2.5 Nm.

Attaching the ION Crampon to the Adapter Plate

- Set the crampon (1) over the waist of the ski with the orange pivoting clips (2) facing the binding toe piece.
- With the crampon (1) flat to the ski, slide the crampon forward onto the mounting tabs (4) on either side of the adapter plate (5).
- You should hear an audible click as the clips (2) engage the mounting tabs (4).
- The crampon should now be attached to the binding toe and ready to use.

Removing the ION Crampon from the Adapter Plate

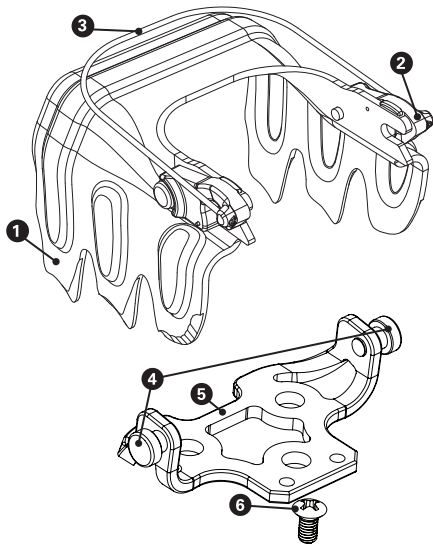
- If the boot is already stepped into the binding, kneel forward to give space under the boot sole.
- Pull back and up on the release wire (3).



Warning: Never use the ION crampon with any binding in ski mode. Doing so will affect the binding safety release, may cause damage, void warranty and could put the skier at risk.

Key components

1. Crampon Body (x2)
2. Clip
3. Release Wire
4. Mounting Tabs
5. Crampon Adapter Plate (x2)
6. #2 Phillips Screws (x4)



ION Crampon Kit #2257 includes all parts shown.
ION Crampon Adapter Kit #2281 includes item #'s 4, 5, 6 only.



Important warnings and instructions

- Only G3 ski crampons should be used with G3 bindings.
- Use only a crampon that is properly sized for the width of the ski.
- Winter Backcountry travel is inherently dangerous. There is always the risk of serious injury or death. You are solely responsible for your actions and decisions. Familiarize yourself with the use of this product, its limitations and capabilities. Learn proper skiing techniques, avalanche awareness and exercise good judgment in conjunction with using this product properly. Use this equipment and ski at your own risk.
- The use of ski crampons may allow access to dangerous terrain. Use extra caution when skiing in difficult, icy conditions.