



HAZLET HOODIE

Pattern: M23281 TC

Skill level: EASY

©2024 Lion Brand Yarn Company,
all rights reserved.



SUPPLIES & TOOLS:

- LION BRAND® 24/7 COTTON® (Art. #761)
- #103 Pink Lemonade 2 (2, 2, 3, 3) balls (A)
- #098 Ecu 1 (1, 1, 1, 1) ball (B)
- LION BRAND® stitch holders
- LION BRAND® large-eyed blunt needle
- Knitting needles size 8 (5 mm)
- 2 buttons, 1/2 in. (13 mm) diameter

SIZE:

6 months (1 year, 2-3 years, 4 years, 6 years)

Finished Chest About 19 1/2 (21 1/2, 23, 25, 27) in. (49.5 (54.5, 58.5, 63.5, 68.5) cm)

Finished Length About 9 1/2 (10, 11, 12, 15 1/2) in. (24 (25.5, 28. 30.5, 39.5) cm)

Note: Pattern is written for smallest size with changes for larger sizes in parentheses. When only one number is given, it applies to all sizes. To follow pattern more easily, circle all numbers pertaining to your size before beginning.

ABBREVIATIONS:

beg = begin(ning)
k = knit
rem = remain(ing)(s)
rep = repeat
RS = right side
st(s) = stitch(es)
WS = wrong side

GAUGE:

18 sts + 32 rows = about 4 in. (10 cm) in Garter st (k every st of every row).

BE SURE TO CHECK YOUR GAUGE.

HAZLET HOODIE

NOTES:

1. Hoodie is made in 3 pieces: Body, 2 Sleeves, and Hood.
2. Body is knit in one piece from lower edge up to underarms. Piece is then divided and fronts and back are worked separately.
3. Sleeves and Hood are knit separately and sewn to Body.
4. Yarn color is changed following Sleeve Stripe Sequence to form stripes on Sleeves.
5. When you see 'work even' in the instructions, this means to continue on in the pattern st you have established without changing the st count by increasing, decreasing, or binding off.

STITCH EXPLANATIONS

kfb (knit in front and back) Knit next st without removing it from left needle, then knit through back of same st - 1 st increased.

yo (yarn over)

An increase that also creates a small hole (buttonhole) in the fabric, worked as follows:

1. Bring yarn to front, between the needles.
2. Take yarn to back, over the right needle.

This creates the new st. You are now ready to proceed with the next st as instructed.

BODY

With B, cast on 88 (96, 104, 112, 122) sts.

With B, work in Garter st (k every st of every row) for 4 rows (2 Garter ridges).

Cut B and work remainder of piece with A.

Work in Garter st until piece measures about 4 1/2 (5, 5 1/2, 6, 9) in. (11.5 (12.5, 14, 15, 23) cm) from beg, end with a RS row as the last row you work.

Divide for Fronts and Back

Note: Mark the next row as the WS.

Row 1 (WS): K23 (25, 27, 29, 32) and place these sts on a holder for left front, k42 (46, 50, 54, 58) and place these sts on a 2nd holder for back, knit to end of row - you will

have 23 (25, 27, 29, 32) sts rem on needle for right front.

Right Front

Working over right front sts only, work even in Garter st until piece measures about 7 1/2 (8, 9, 10, 13 1/2) in. (19 (20.5, 23, 25.5, 34.5) cm) from beg, end with a WS row as the last row you work.

Buttonhole Row (RS): K3, yo, k2tog, knit to end of row.

Knit 7 rows.

Rep Buttonhole Row.

Knit 3 rows.

Shape Neck

Next Row (RS): Bind off 12 (14, 16, 18, 18) sts, knit to end of row - 11 (11, 11, 11, 14) sts rem.

Work even in Garter st until right front measures about 5 (5, 5 1/2, 6, 6 1/2) in. (12.5 (12.5, 14, 15, 16.5) cm) from divide.

Bind off.

Back

Return k42 (46, 50, 54, 58) back sts from holder to needle so that you are ready to work a RS row. Join A and work even in Garter st until back measures same length as right front.

Bind off.

For thousands of free patterns, visit our website www.LionBrand.com

To order visit our website www.lionbrand.com or call: 877-412-9772 any time! Every effort has been made to produce accurate and complete instructions. We cannot be responsible for variance of individual makers, human error, or typographical mistakes.

©2024 Lion Brand Yarn Company, all rights reserved.

HAZLET HOODIE

Left Front

Return left front sts from holder to needle so that you are ready to work a RS row. Join A and work even in Garter st until left front measures about 9 (9 1/2, 10 1/2, 11 1/2, 15) in. (23 (24, 26.5, 29, 38) cm) from beg, end with a RS row as the last row you work.

Shape Neck

Next Row (WS): Bind off 12 (14, 16, 18, 18) sts, knit to end of row - 11 (11, 11, 11, 14) sts rem. Work even in Garter st until left front measures same length as back. Bind off.

SLEEVES (make 2)

Stripe Sequence: *Work 4 rows with A, 8 rows with B; rep from * for stripe sequence.

Note: When working the Sleeve, change yarn color following the stripe sequence.

With A, cast on 25 (25, 27, 29, 31) sts.

Work in Garter st for 3 (4, 5, 6, 5) rows.

Increase Row: K1, kfb, knit to last 2 sts, kfb, k1 - 27 (27, 29, 31, 33) sts.

Rep last 4 (5, 6, 7, 6) rows 7 (8, 8, 9, 13) more times - 41 (43, 45, 49, 59) sts when all increases have been completed.

Work even in Garter st, continuing to change yarn color following stripe sequence, until piece measures about 6 (7, 8, 10, 11) in. (15 (18, 20.5, 25.5, 28) cm) from beg. Bind off.

HOOD

With A, cast on 68 (72, 77, 81, 83) sts.

Work in Garter st until piece measures about 6 (6 1/2, 7, 8, 10) in. (15 (16.5, 18, 20.5, 25.5) cm) from beg. Bind off.

FINISHING

Sew shoulder seams.

Sew Sleeve seams. Sew in Sleeves.

Fold Hood in half and seam bound-off edge for back of Hood. Sew Hood to neck edge.

Front and Hood Edging

From RS with B, pick up and k1 st for each Garter ridge along right front edge, pick up and k1 st in each st along edge of Hood, then pick up and k1 st for each Garter ridge along left front edge.

Knit 1 row.

Bind off as if to purl.

Sew buttons to left front, opposite buttonholes.

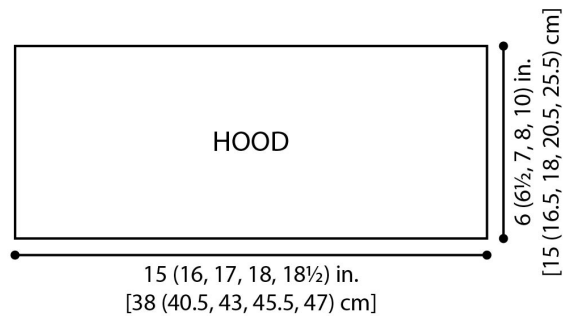
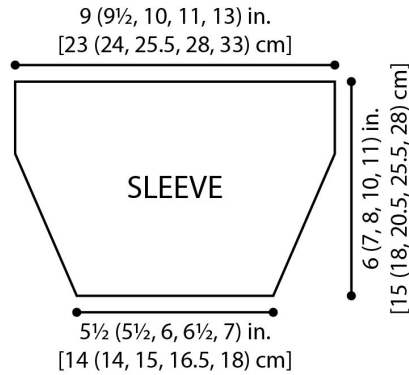
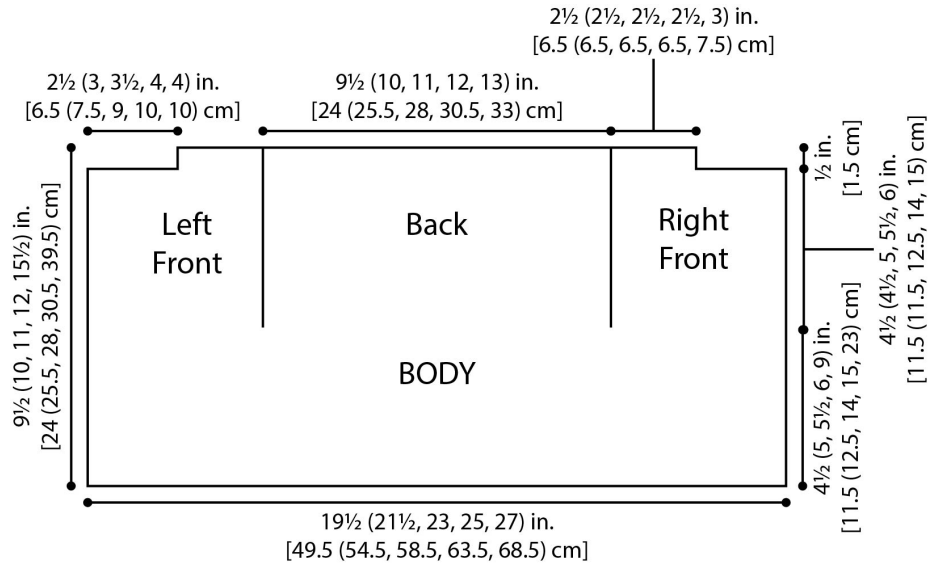
Weave in ends.

For thousands of free patterns, visit our website www.LionBrand.com

To order visit our website www.lionbrand.com or call: 877-412-9772 any time! Every effort has been made to produce accurate and complete instructions. We cannot be responsible for variance of individual makers, human error, or typographical mistakes.

©2024 Lion Brand Yarn Company, all rights reserved.

HAZLET HOODIE



For thousands of free patterns, visit our website www.LionBrand.com
 To order visit our website www.lionbrand.com or call: 877-412-9772 any time! Every effort has been made to produce accurate and complete instructions. We cannot be responsible for variance of individual makers, human error, or typographical mistakes.