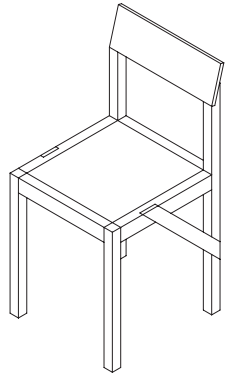
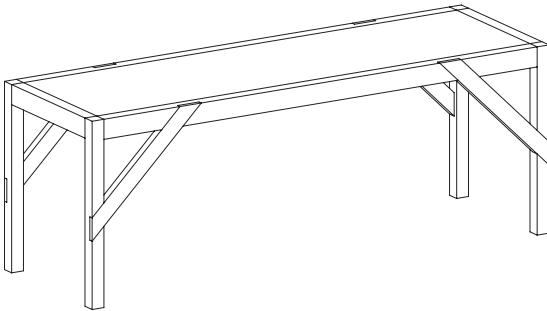
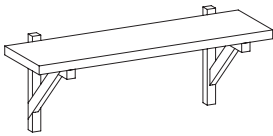


# BRACKET COLLECTION

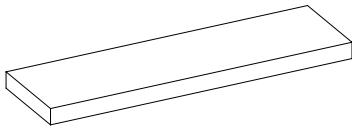


# FRAMA

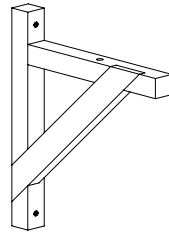
- PARTS -

If you have chosen the bracket shelf then please follow the instructions below. The bench and chair are fully assembled.

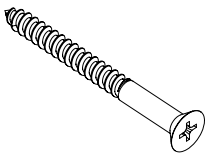
For further care & maintenance please go to the last page.



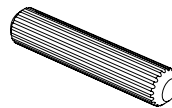
Ⓐ Shelf x1



Ⓑ Bracket x2



Ⓒ Screw x4

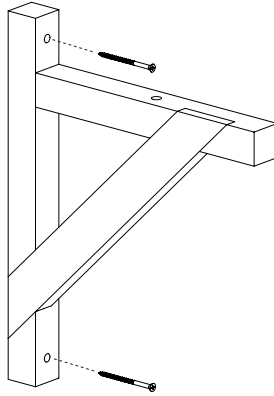


Ⓓ Wood Dowel x2

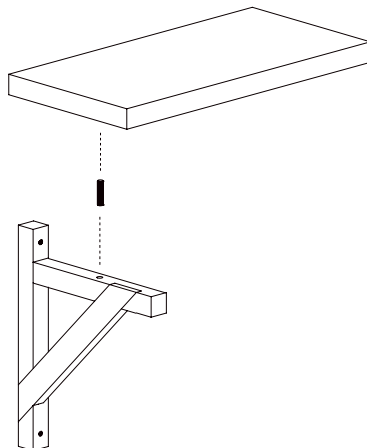
1.

Place one of the brackets **(B)** on the wall and use the screws **(C)** to attach it to the wall. Use a level to make sure it's straight. Depends on the wall type, pre-drilling and wall plug (not included) maybe required.

Make sure to place the bracket **(B)** so the joinery is facing outside.

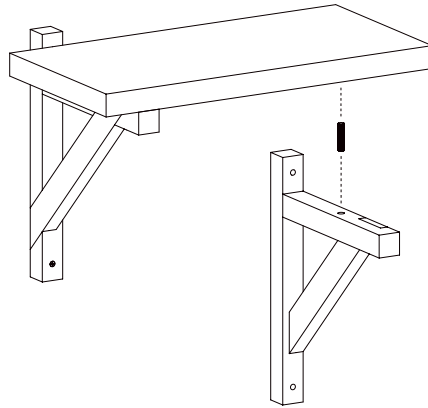


Place one dowel **(D)** into the predrilled hole on the bracket **(B)** and place the shelf **(A)** on top of it.

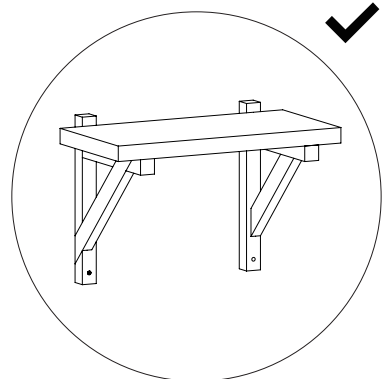
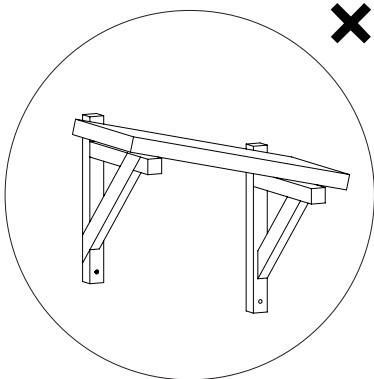


2.

Attach the second bracket **(B)** together with the dowel **(D)** and to the shelf **(A)**.

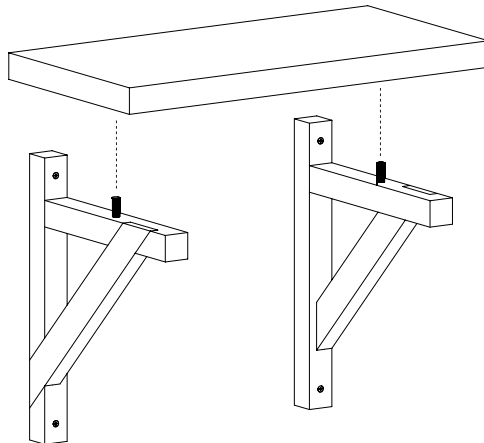
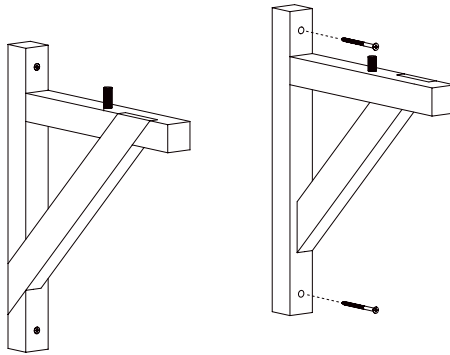


Align the brackets **(A)** so that they are straight, mark the placement of the bracket **(B)**.



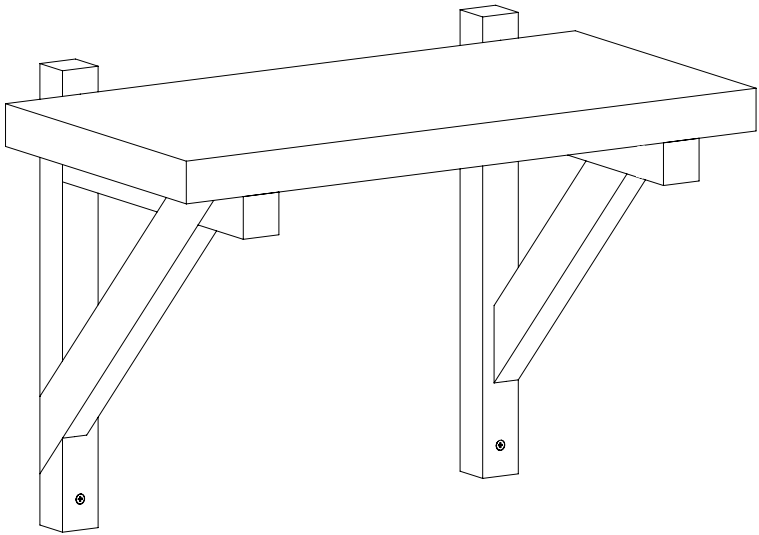
3.

Take off the shelf (A) so you can screw the bracket (B) to the wall properly using the provided screws (C). Place the shelf (A) on top.



4.

Enjoy your bracket shelf.



- MATERIAL & CARE GUIDE -

In order to preserve your new FRAMA pieces for years to come, we've produced a guide on the materials we use and how to best care for them. Following these instructions will help to maintain the appearance and quality of your items after repeated use and cleaning.

For material care and maintenance instructions, scan the QR code using your mobile device.



Access the guide on your desktop at  
**[framacph.com/pages/material-care-guide](https://framacph.com/pages/material-care-guide)**

FRAMA  
Fredericiagade 57, 1310  
Copenhagen K  
+45 3140 6030 [framacph.com](http://framacph.com)

**FRAMA**