

ChargePort M | TA-8350

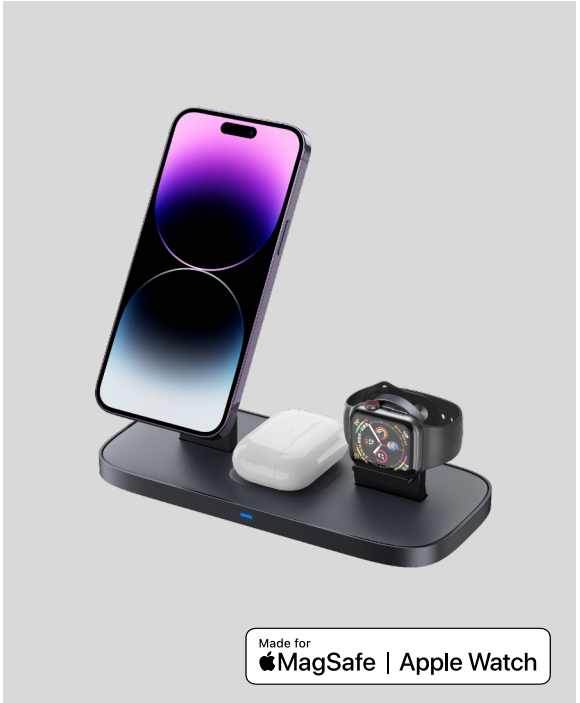


Table of Contents

2	Products Covered by this Installation Guide
2	Part Numbers
3	Specifications
3	Important Safety Instructions
4	Other Notices
4	Approval Information
4	What is Included in the Box
5	Dimensions
6	Preparation for Installation
6	Installation
7	Additional Information
8	Warranty
8	Contact Details

Products Covered by this Installation Guide

ChargePort M is a 3-in-1 Qi wireless charger that is designed for charging your Apple products.

iPhone, Apple Watch and AirPods

Designed to optimally charge Apple products, ChargePort M is an ideal charging solution for your hotel guests and is compatible with MagSafe equipped iPhones, Apple Watch and AirPods.

MagSafe for faster charging

MagSafe technology takes wireless charging to the next level by automatically aligning the charging coils and charging an iPhone at up to 15W peak power.

Easy Install

Simply place on a desktop or at the bedside for ultimate charging convenience. For your peace of mind ChargePort M is fully FCC, CE and MFi certified.

Security

A security bracket is supplied to allow the ChargePort M to be secured to the desk or nightstand if required, it also retains the power cable to prevent removal.

Power

ChargePort M is supplied with a 1.8 metre USB cable and a compatible power supply.

Part Numbers

TA-8350-US-A00	ChargePort M, Grey/White, 45W GaN US PSU.
TA-8350-UK-A00	ChargePort M, Grey/White, 45W GaN UK PSU.
TA-8350-EU-A00	ChargePort M, Grey/White, 45W GaN EU PSU.

Specifications

Input (PSU supplied):	USB Type-C, 15V/3A, 12V/3A.
Wireless output:	15W+5W+5W max.
Charging frequencies:	127.7KHz/110-205KHz.
Operating temp. range:	0~30°C.
Storage temp. range:	-20 ~ 40°C.
Operating humidity:	10% ~ 80% RH.
Storage humidity:	5% ~ 95% RH.
Size:	199*90.8*128.8±0.5mm.
Weight:	650±10g.

Important Safety Instructions

- Read these instructions carefully before attempting any installation. Follow all instructions and heed all warnings. These instructions should be kept for future reference.
- This equipment is designed for indoor use only.
- The power supply must be readily accessible at all times.
- Ensure the power cable is uncoiled before installation.
- Protect the power cable from being walked on or pinched.
- The maximum distance to the receptacle (mains outlet) is determined by the length of the power cable.
- Clean only with a dry cloth.
- Servicing is required when the equipment has been damaged in any way. Refer all servicing to qualified service personnel.
- Unplug this equipment during lightning storms or when unused for long periods of time.
- The wireless chargers may get a little warm during use, this is normal.
- Do NOT install or use this equipment near water.
- Do NOT expose this apparatus to rain or moisture.
- Do NOT expose to dripping or splashing. No objects filled with liquid such as vases shall be placed on the equipment.
- Do NOT install near any heat sources such as radiators, convection heaters or other apparatus such as amplifiers that produce heat.
- Do NOT use corrosive, abrasive or solvent based cleaners on the product.
- Do NOT attempt to disassemble this product, it may result in short-circuit or even damage.

Other Notices

Use of the Made for Apple badge means that an accessory has been designed to connect specifically to the Apple product(s) identified in the badge and has been certified by the developer to meet Apple performance standards. Apple is not responsible for the the operation of this device or its compliance with safety and regulatory standards.

Made for iPhone 14 Pro Max, iPhone 14 Pro, iPhone 14 Plus, iPhone 14, iPhone 13 Pro Max, iPhone 13 Pro, iPhone 13, iPhone 13 Mini, iPhone 12 Pro Max, iPhone 12 Pro, iPhone 12, iPhone 12 Mini, Apple Watch Ultra, Apple Watch Series 8, Apple Watch Series 7, Apple Watch SE, Apple Watch Series 6, Apple Watch Series 5, Apple Watch Series 4, Apple Watch Series 3, Apple Watch Series 2, Apple Watch Series 1, Apple AirPods Pro (2nd generation), AirPods (3rd generation) with MagSafe Charging Case, Apple AirPods Pro, Apple AirPods (2nd generation).

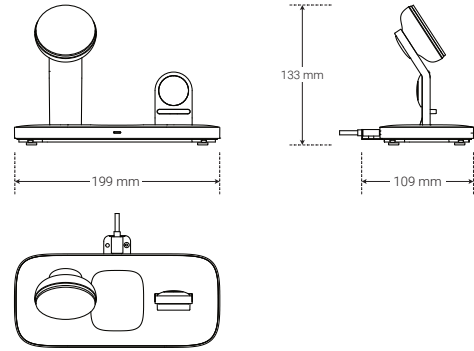
Approval Information

FCC - 47 CFR FCC Part 15 Subpart B. CE - EN 55032:2012+AC:2013, EN 55024:2010+A1:2015. Apple MFi. WPC Qi Certified.

What is Included in the Box

- 1 x ChargePort M.
- 1 x 45W GaN Power Supply.
- 1 x 1.8m USB-C power cable.
- 4 x adhesive rubber feet.
- 1 x security bracket.
- 1 x self adhesive pad.
- 1 x security lanyard.
- Screws for fixing security bracket and lanyard.
- 1 x Installation Guide.

Dimensions



Preparation for Installation

Before starting installation make sure you have read and understood the "Important Safety instructions". ChargePort M must be sited so the power outlet can be reached with the cord provided and without modification to the cord. Make sure the installation location is:

- flat and even,
- out of direct sunlight or other sources of heat, and
- dry and away from any sources of water.

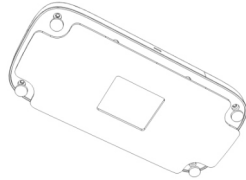
ChargePort M is not suitable for installation in a bathroom.

Installation

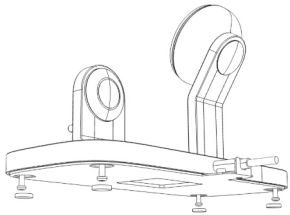
Select the security option(s) you require.

Adhesive Pad

Remove the protective sheet from one side of the adhesive pad and carefully stick it to the base of the ChargePort M as shown. Repeat the process with the 4 rubber feet to cover the screw holes in the base. Finally remove the protective sheet from the bottom of the adhesive pad and carefully place ChargePort M on the desk and apply light pressure to fix.



Security Bracket



If using the security bracket, plug the DC power connector in to the rear of the ChargePort M before fitting the bracket. Attach the bracket to the base of the ChargePort M using the screws provided, then stick the rubber feet over the screws. Ensure the DC power cord is properly retained by the bracket. The bracket can now be screwed to the furniture.

Lanyard

The lanyard is secured by attaching it to the security bracket using the screw provided.

Finishing Installation

Plug the supplied adapter into a suitable mains outlet. The indicator on the front should show solid blue.

Additional Information

ChargePort M has three wireless charging pads, The main iPhone charging pad can charge up to 15W, the other two charge up to 5W each.

Place device to be charged on one of the Qi charging pads and adjust position until the charging indicator pulses blue.

If the indicator does not pulse blue then adjust the position of the device being charged until it does.

You can charge iPhone, Apple Watch and AirPods simultaneously.

Do NOT place metallic objects on the wireless charging pads.

In case of accidental placement of metal objects on one of the wireless charging pads, ChargePort Duo is equipped with Foreign Object detection (FOD). If metallic foreign objects are detected by ChargePort Duo then charging will be disabled and the indicator will flash blue. Remove the foreign object.

ChargePort Duo also monitors temperature to check for signs of over heating. If the temperature is too high then charging will be disabled and the indicator will flash blue until the temperature returns to the normal range.

Indicator States

On: Powered on, standby.
Breathing: Charging.
Flashing: Foreign object detected, over temperature, wrong charger.

Warranty

Please see TeleAdapt "Sales Terms & Conditions" which are available at <http://www.teleadapt.com/teleadapt/sales-terms-conditions.html>.

Contact Details

Americas

TeleAdapt Inc
1315 Greg Street
Suite 110
Sparks
NV 89431
USA
Tel: +1 775 355 8585
Email: usa@teleadapt.com

Asia

TeleAdapt (Hong Kong) Limited
Hong Kong
Kowloon
Tel: +852 2155 1383
Email: hk@teleadapt.com



Visit our website at: www.teleadapt.com

TA-8350-xx-A00, ChargePort M Installation Guide.
Revision 1.35, 20 Jun 2023.

All rights reserved. All copyrights and trademarks acknowledged.
Specifications subject to change without notice.