

COTTAGE

Ceramic



ARCHITESSA

an Architectural Ceramics brand



COLORS



3x9 Milk



3x9 Greige



3x9 Ash



3x9 Grey



3x9 Aqua

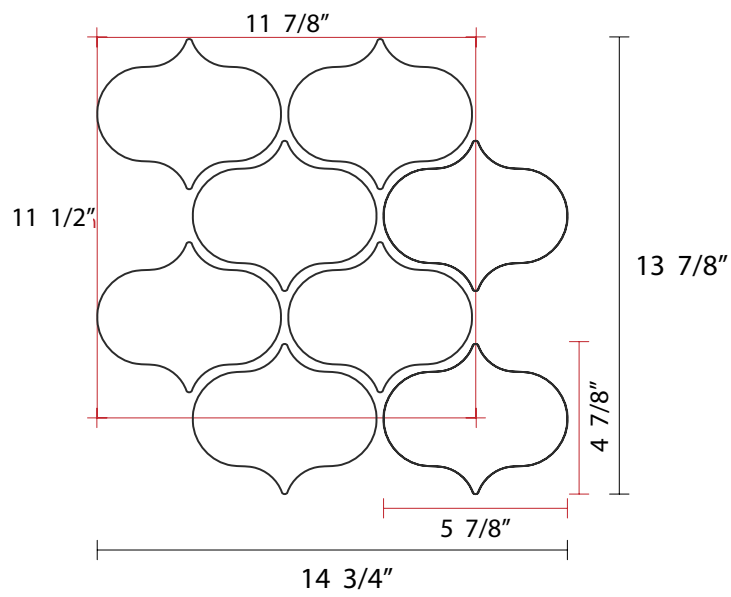


3x9 Nautical

LANTERN MOSAIC



Lantern Aqua



HERRINGBONE MOSAIC



Herringbone Milk



Herringbone Ash



Herringbone Nautical











AVAILABLE SIZES	FIELD	MOSAIC		TRIM	
	3x9 ⁺	5.312x6.125 Lantern	11.26x11.54 Herringbone	1x9 Square Bar Liner	.625x6 Liner
Milk	G*		G*	G*	G* ⁺
Greige	G*	G*		G*	G*
Ash	G*		G*	G*	G*
Grey	G*			G*	G* ⁺
Aqua	G*	G* ⁺		G*	G*
Nautical	G* ⁺		G*	G*	G*

G=Glossy, *Stocked Sizes, ⁺Discontinued

Lead times for specialty & non-stocked items varies depending on product ordered, quantity, and destination. Please contact to determine the lead time to order samples and material.

DESCRIPTION

Cottage is a ceramic collection with custom colors & a unique lantern mosaic.

INSTALLATION&MAINTENANCE

Cottage may be installed using standard ceramic tile installation methods and materials, as recommended by the Tile Council of North America (TCNA). A sales representative will advise you on general installation questions.

TECHNICALINFORMATION

ORIGIN: CHINA
 AVAILABLE FINISHES: GLOSSY
 TYPE: CERAMIC
 EDGE: NATURAL
 LOOK: SOLID / MONOCHROMATIC
 APPLICATION: WALL & FLOOR
 USE: COMMERCIAL & RESIDENTIAL
 PACKAGING:PLEASECONSULTYOURACISALESPFORPACKAGING
 INFORMATION

COLOR VARIATION: V2 - SLIGHT VARIATION
 THICKNESS: 8 MM
 PORCELAIN ENAMEL INSTITUTE SCALE: N/A
 DYNAMIC COEFFICIENT OF FRICTION: > .5%
 BREAKING STRENGTH: N/A
 WATER ABSORPTION: < 0.5%
 STAIN RESISTANCE: YES
 FROST RESISTANCE: YES
 ENVIRONMENT: N/A

WEBSITE

www.architessa.com/pages/datasheets

PLEASE NOTE THIS LINK IS CASE SENSITIVE

CONTACT INFORMATION:

www.architessa.com

1.800.287.1742

For general sales inquiries: sales@architessa.com

For commercial & hospitality sample requests: samples@architessa.com

Headquarters: 1803 Research Blvd. Suite 402 Rockville, MD 20850