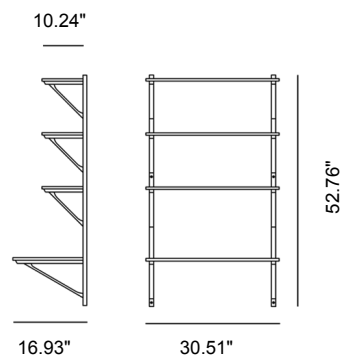


BM29 Shelf

By Børge Mogensen, 1956

Model	2901 - 1 compartment, 3 shelves & desk shelf
About	The BM29 Shelf by Børge Mogensen is timeless and functional furniture crafted in Denmark from solid wood and veneer. Designed for Fredericia in 1956, it showcases our longstanding tradition for exquisite Scandinavian Design.
Product group	Storage
Measurements	30.51" W x 10.24" D x 52.76" H Desk: 16.93" D
Weight	14 kg
Materials	Rails and brackets are solid wood while the shelves are veneer. The shelves are mounted on the rails and brackets using screws. The rails are mounted to the wall with the keyhole fittings and screws. Brass screws for mounting of shelves to rails and to the wall is included. Rawplugs is not included as it depends on the specific type of wall. Max load capacity for the shelf is 10 kg per shelf, where the composition of the wall and the mounting of the module allow this. The weight should be distributed evenly.
Guarantee	Fredericia Furniture A/S offers a 7 year guarantee against manufacturing defects in standard products (materials and construction). Wear and damage to covers, surface treatment, inappropriate use and the like are not covered by the warranty.
Download	Click here to download images, architect files at our partner portal.

**DRAWING****WOOD**OAK
LACQUERWALNUT
LACQUER