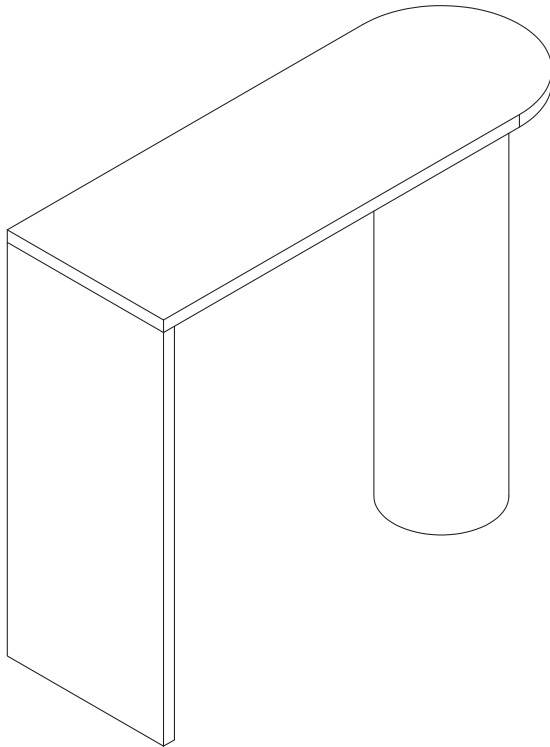


Pylo Console Table

Assembly manual



ferm
L I V I N G

Care Instructions

PLEASE READ BEFORE INSTALLATION

WOOD FURNITURE:

Wood is a natural material – no two pieces of wood are the same – which is why there are no two identical pieces of wooden furniture. Wood is constantly changing, which means that its structure and colour evolve over time. The biggest changes occur at the beginning of a piece of furniture's life. Solid wood is mainly affected by seasonal changes in humidity. During the summer, wood expands and may cause tabletops to bow slightly. During the winter, the wood contracts again.

Wood movement – expanding and contracting – can cause 'checks' (small splits and cracks between the wood's veins) to appear. However, these do not damage the product and can usually be treated with a wood oil treatment. To maximise the lifespan of wooden furniture, it is important to ensure that it is continuously cared for and maintained. Below are guidelines on how to best treat and maintain your furniture made of solid wood.

Using a neutral wood oil will help the wood retain its original colour, give it a water-repelling effect, and prevent it from drying out. Apply oil with a soft sponge or soft, lint-free cloth in the direction of the wood grain in a continuous thin layer. Allow the oil to dry then wipe with a soft, lint-free cloth to remove any excess oil. Daily cleaning (wiping the surface after a meal, for example) slowly removes oil from the wood, which is why it is recommended that you treat the wood 4–6 times a year or as needed. Please read the instructions on the bottle before treatment.

For a more thorough clean of your wooden furniture, you should use a wood cleaner, which removes marks like oil-based stains, water rings and more. It can also be used to wash tannic acid out of oak wood. Remember to treat the surface with neutral wood oil after using wood cleaner. Always remember to treat the underside of your furniture; otherwise, there is a risk that the wood will warp or crack. If the surface of the wood 'rises up' (becomes rough) after treatment, you can lightly sand it in the direction of the wood grain using fine sandpaper (minimum 200 grit). Never use steel wool!

Needed tools

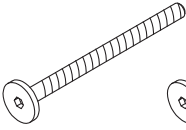


Phillips head screwdriver

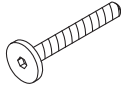


Rubber hammer

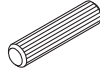
Box Content



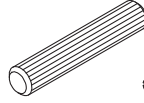
A x 3



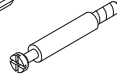
B x 5



C x 6



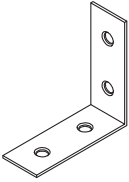
D x 4



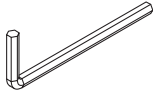
E x 2



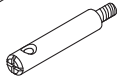
F x 2



G x 2



Allen key x 1



I x 1



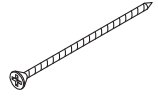
J x 1



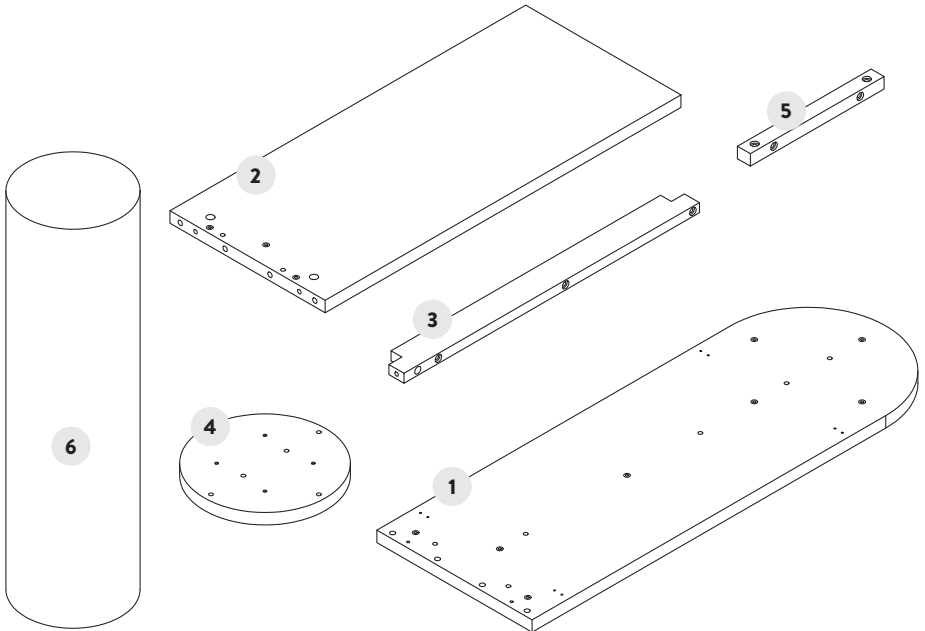
K x 1



L x 4

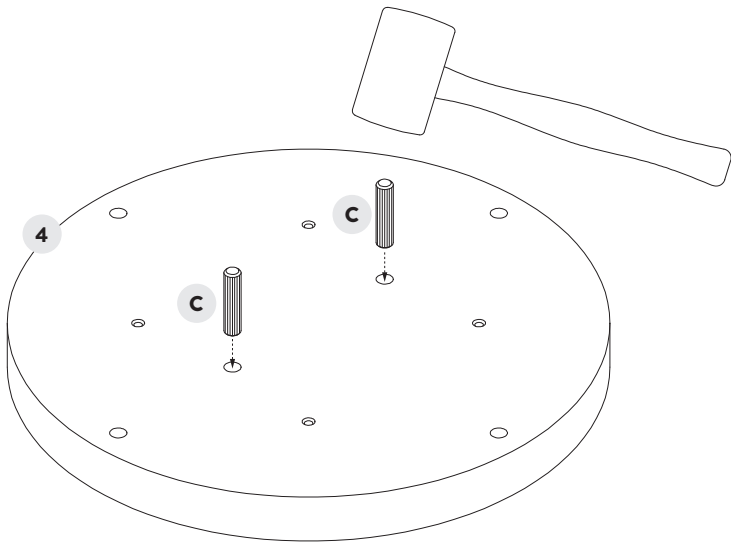


M x 4



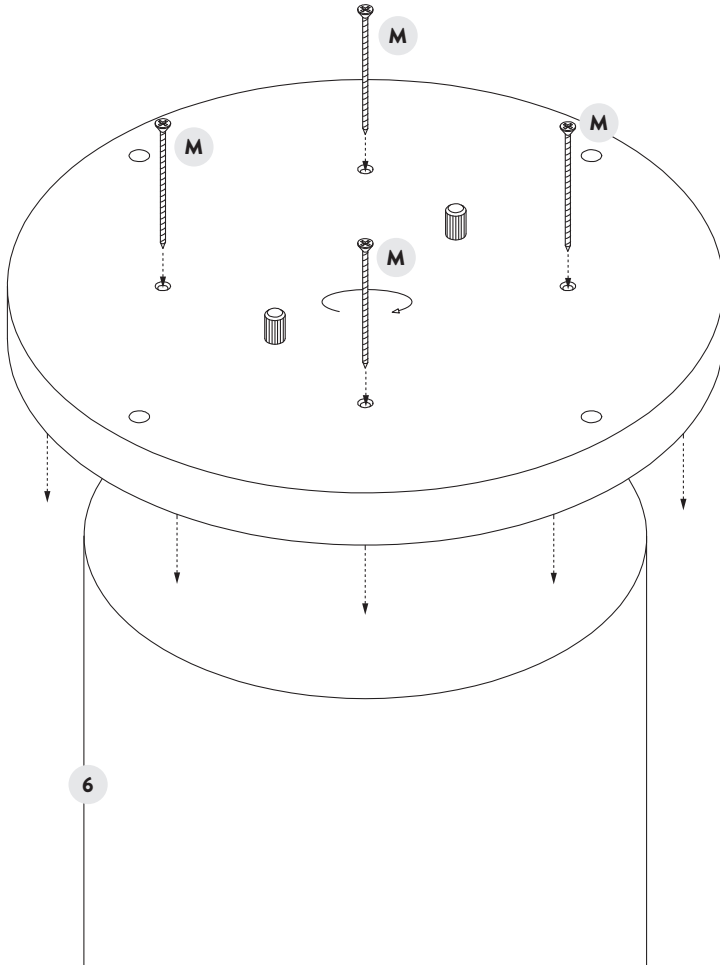
Assembly Process

1



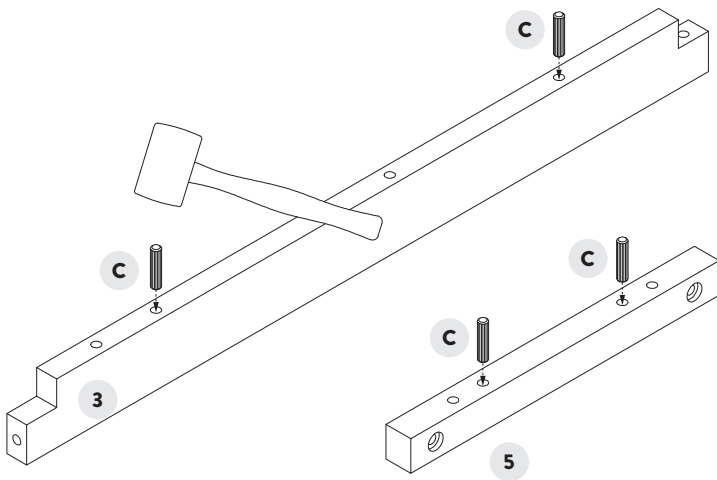
Assembly Process

2



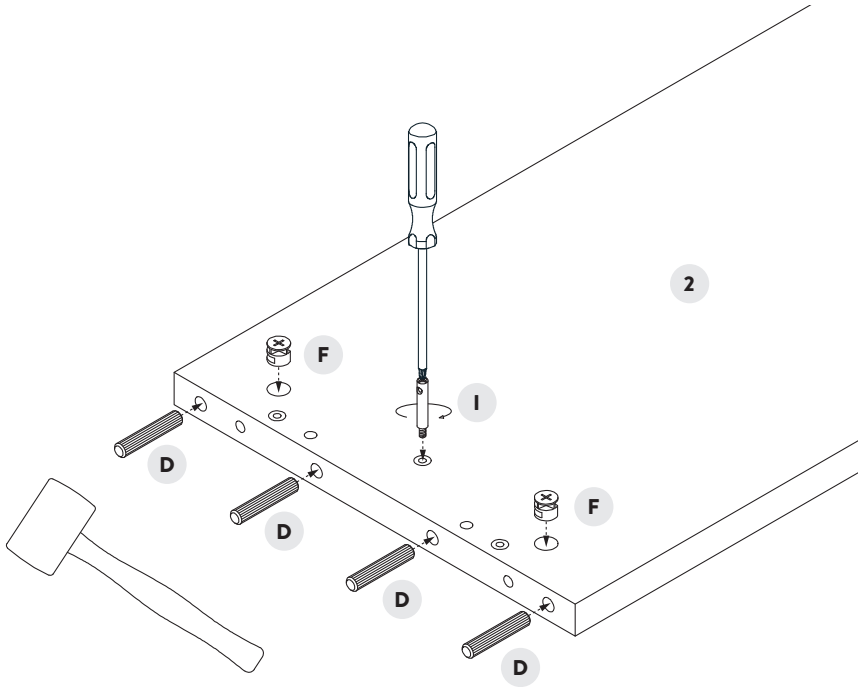
Assembly Process

3



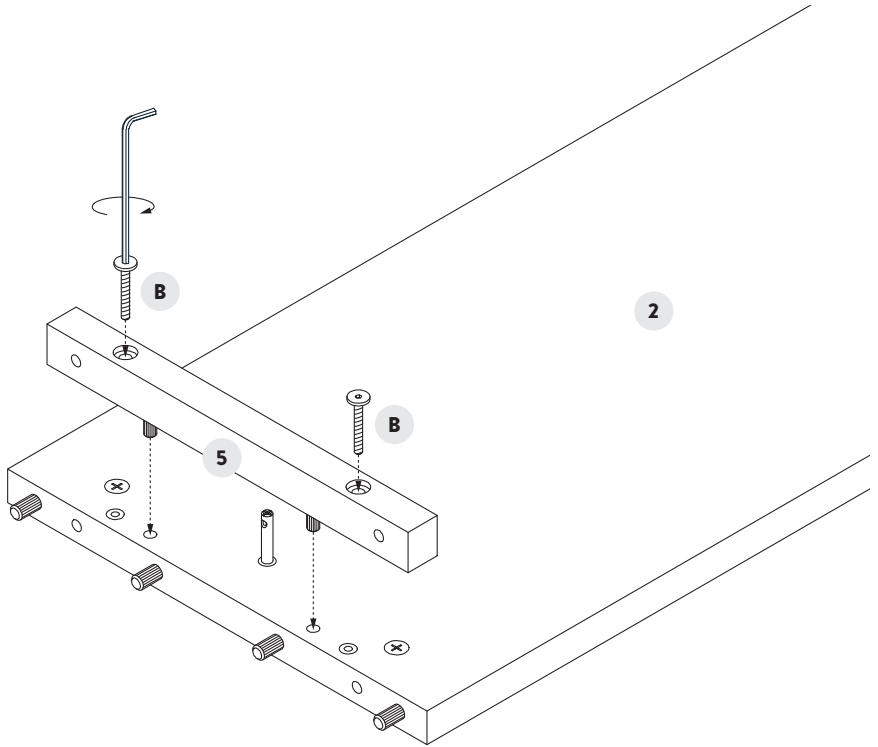
Assembly Process

4



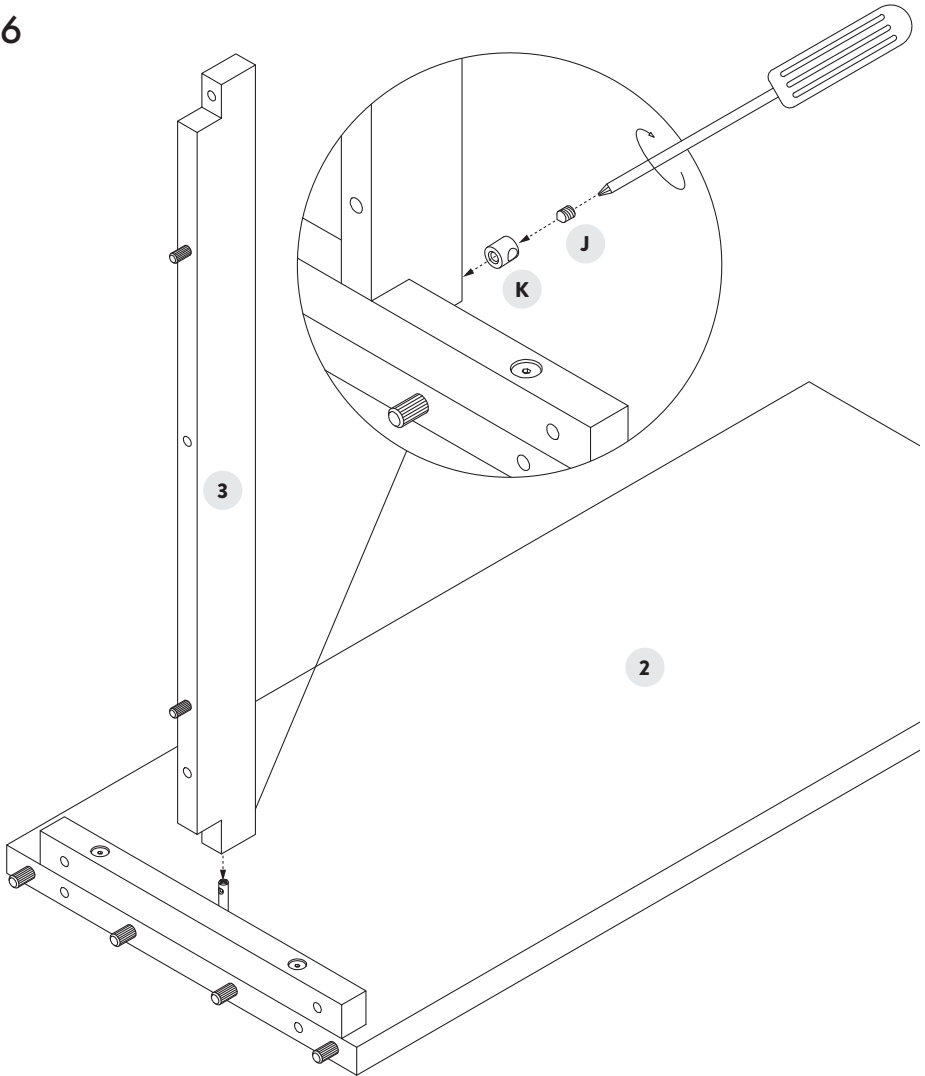
Assembly Process

5



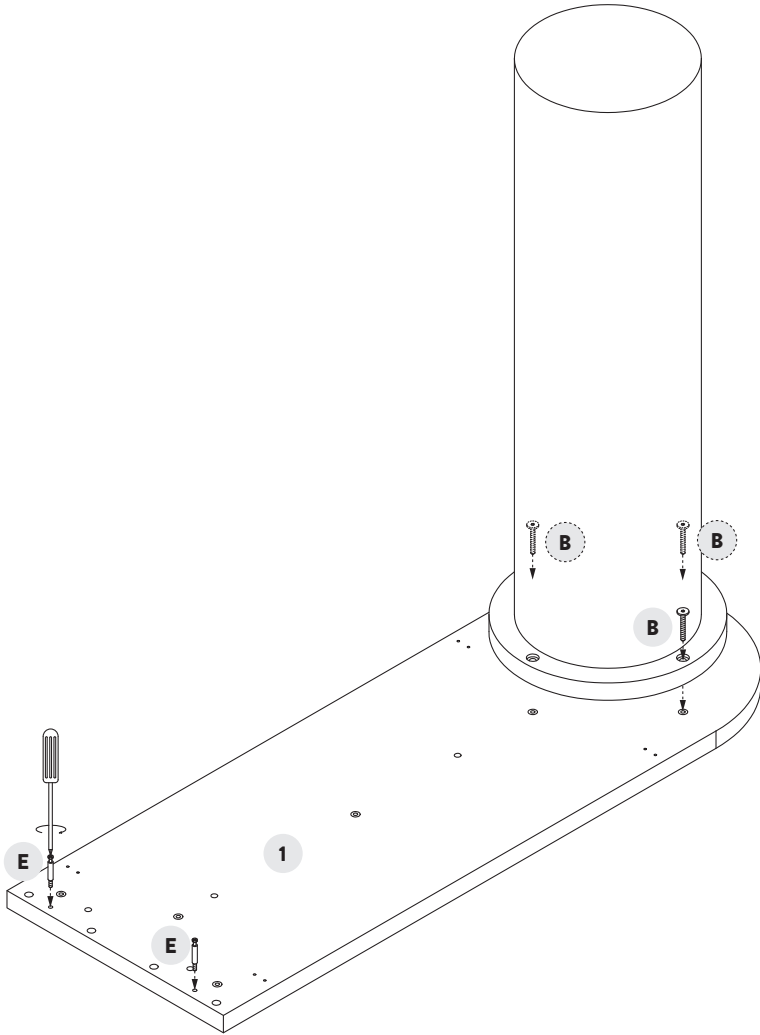
Assembly Process

6



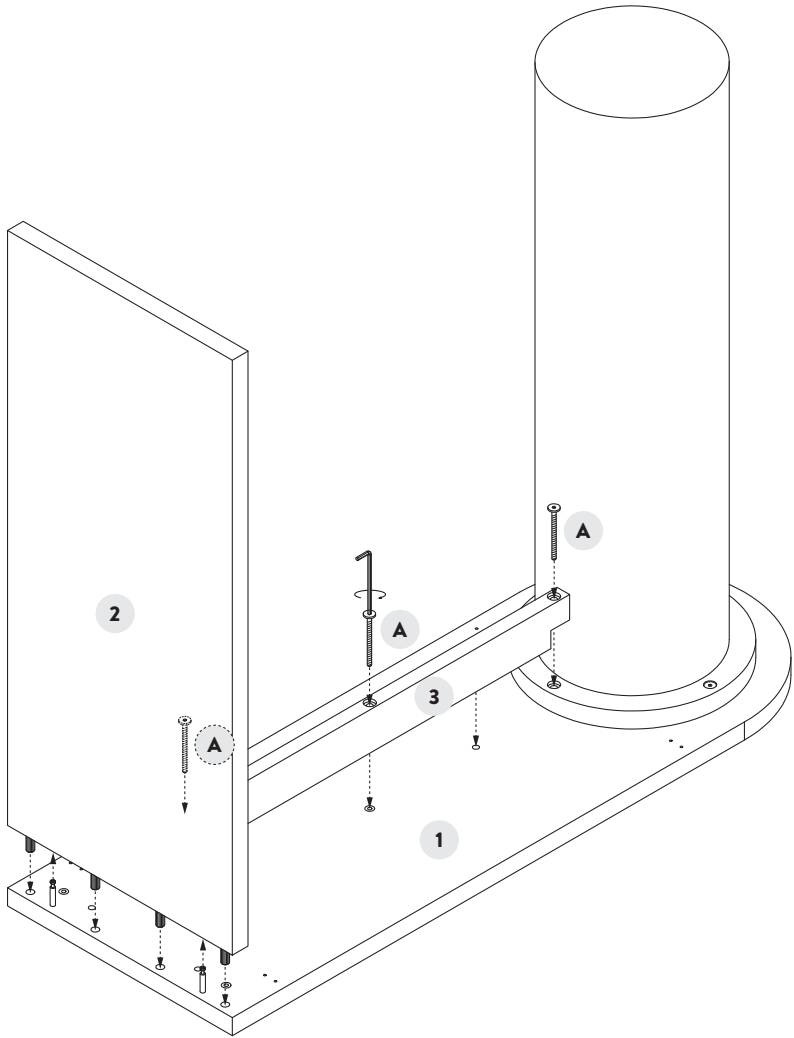
Assembly Process

7



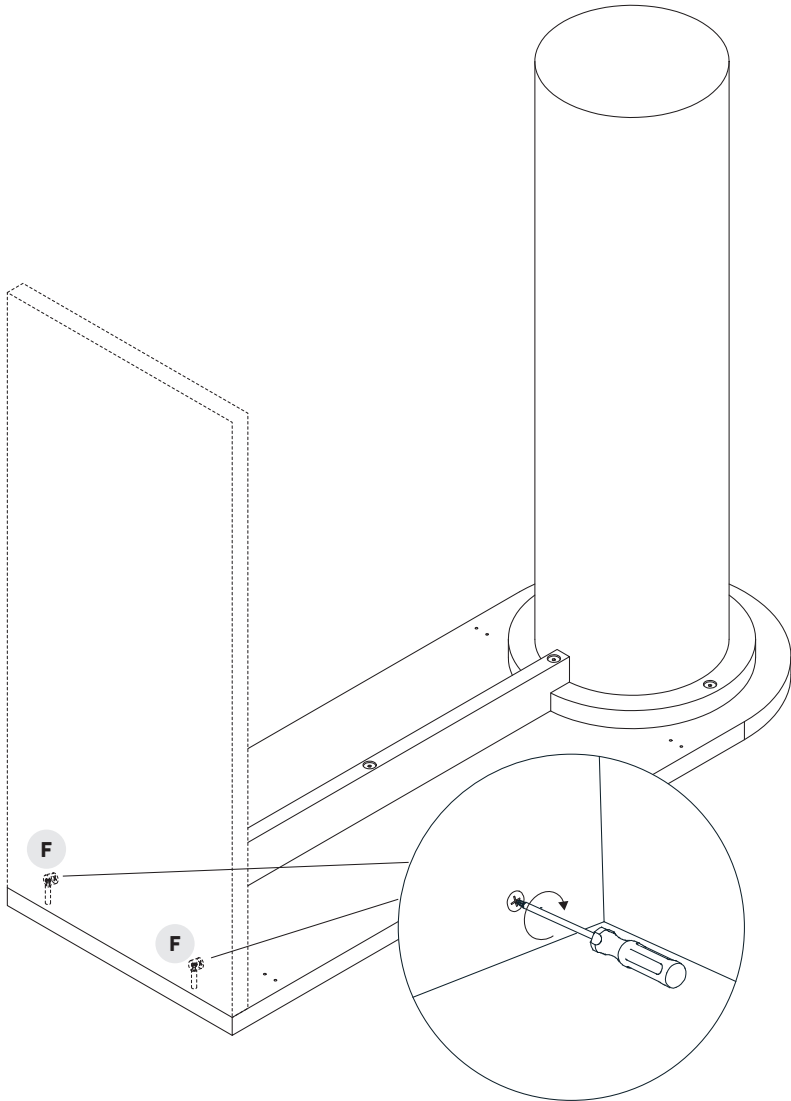
Assembly Process

8



Assembly Process

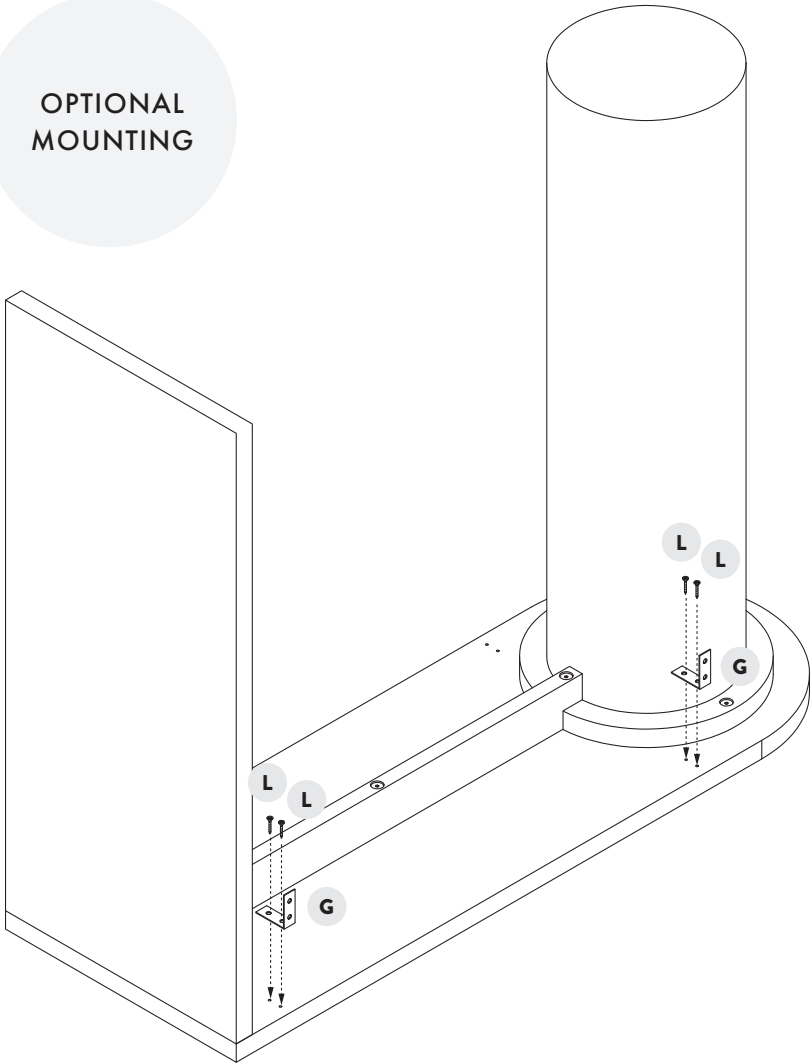
9



Assembly Process

10

OPTIONAL
MOUNTING

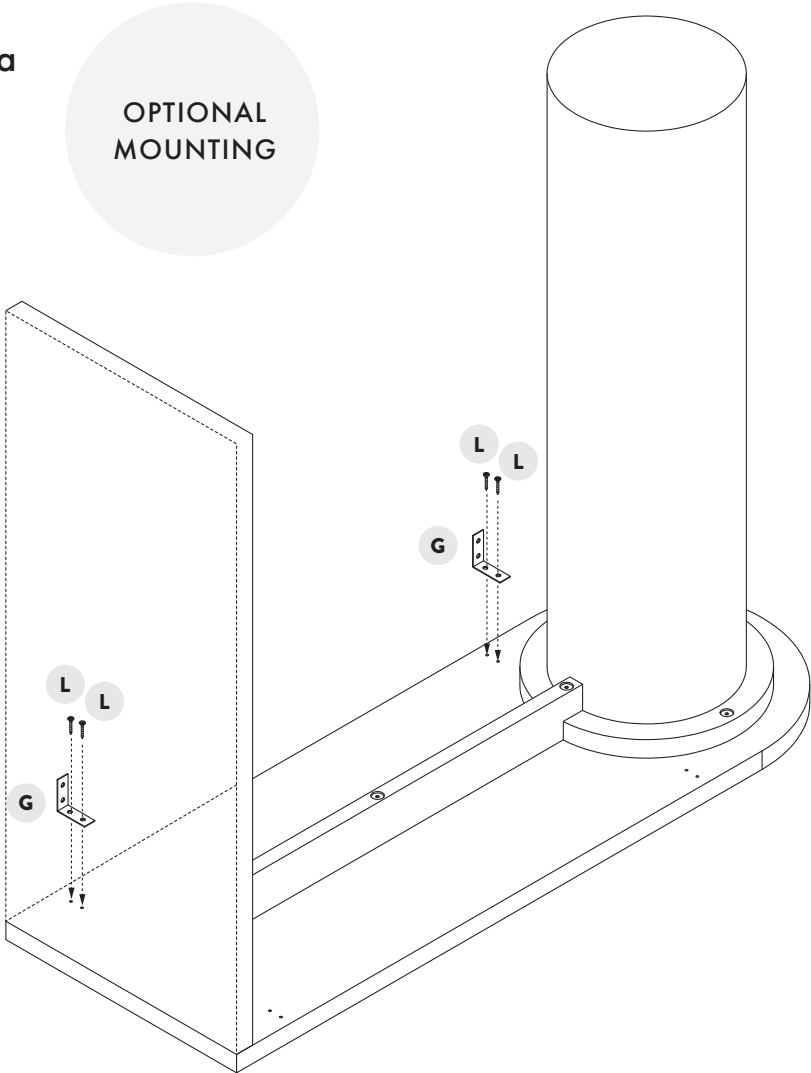


Install anti-tipping brackets and screw them to the wall. (Wall screws not included)

Assembly Process

10a

OPTIONAL
MOUNTING



fermliving.com