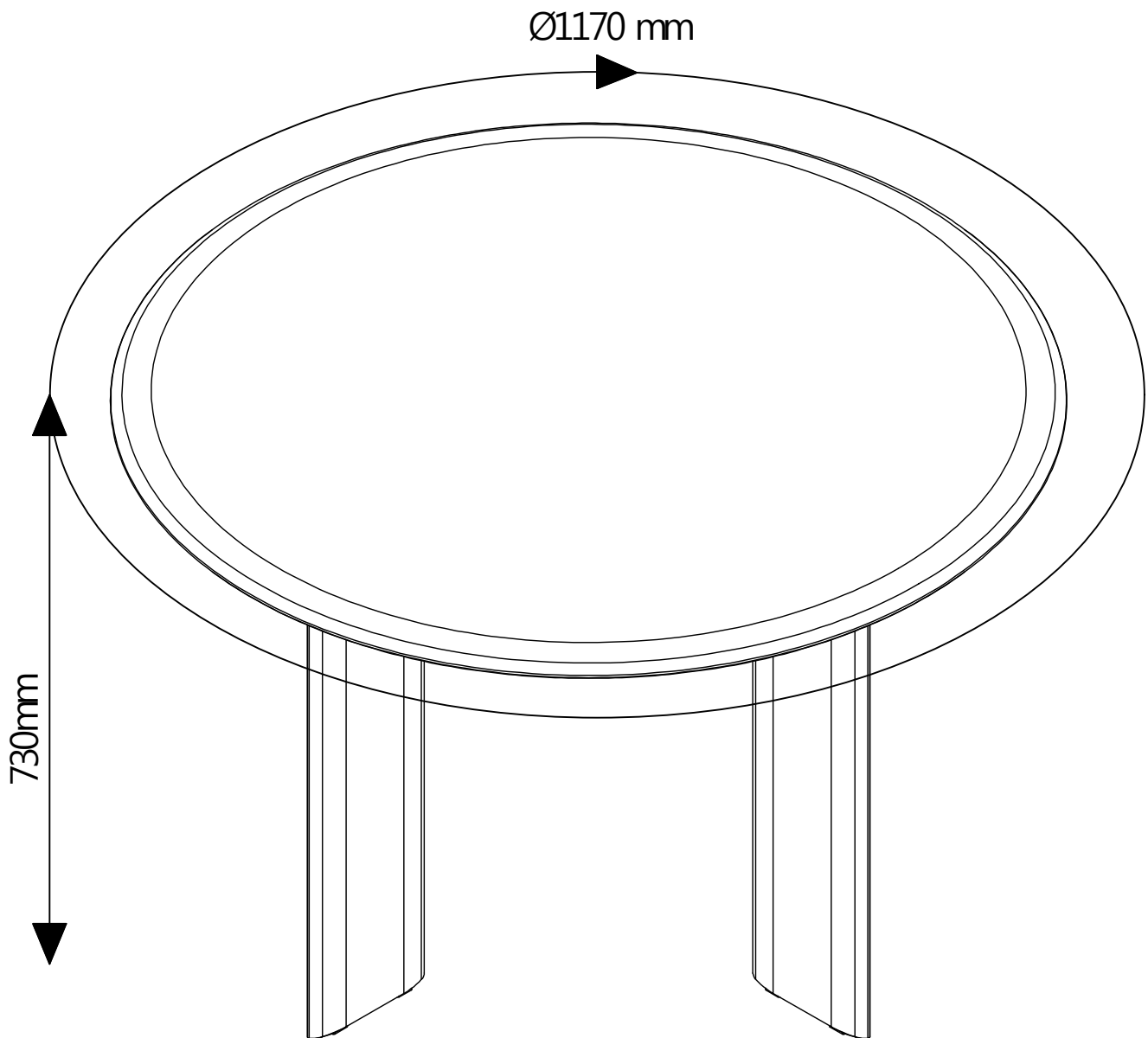
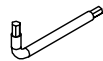


Bevel Table Round Ø117

ver.002 - January/2020

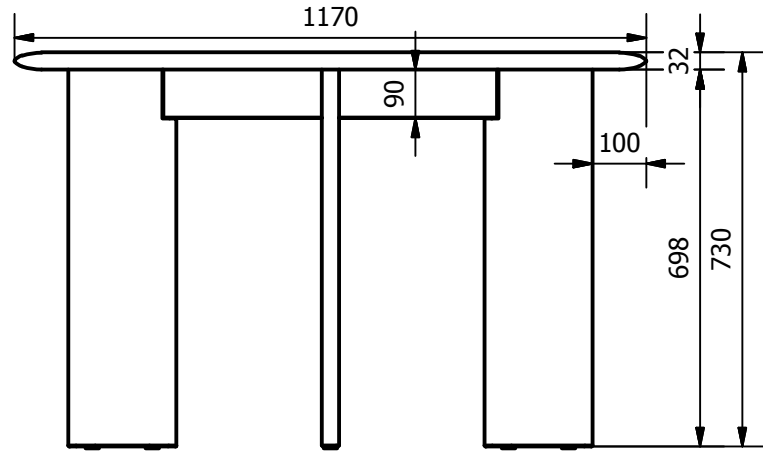


A  M8x70 mm = 8

C  = 1

B  M8/24 = 8

D  = 8



- | | |
|----------|----|
| 1 | 1x |
| 2 | 4x |

