

FEVE DESK

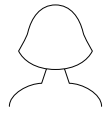
ASSEMBLY MANUAL

fermliving.com



ferm
L I V I N G

NEEDED FOR ASSEMBLING



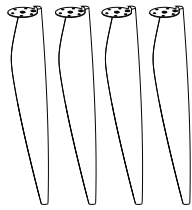
One person



16 x short screws



1 x Hex key

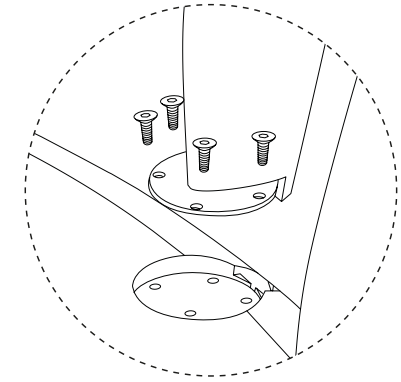


4 x legs

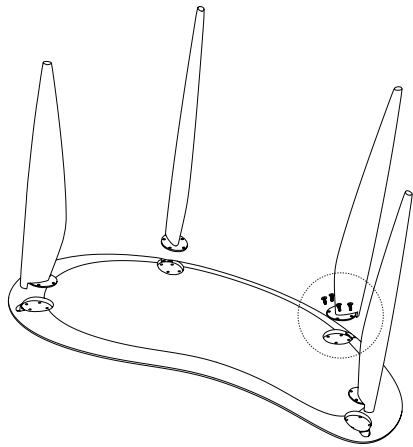


1 x desk top

Tip: Wait until all four screws are partially fixed to the table top before tightening them

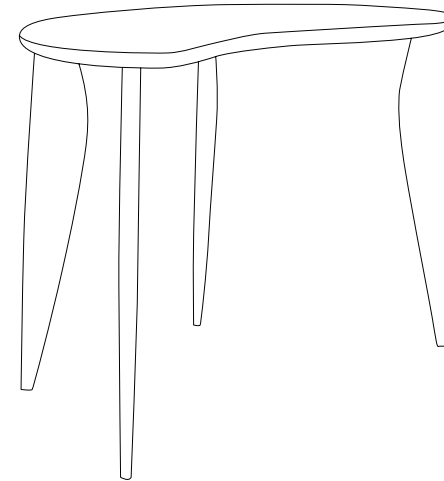


1.



1. Mount each leg to the table top using the short screws. You will need four short screws for each leg. Repeat the process until all four legs are fixed to the table top

2.



2. Flip the Feve Desk