



COOKING EQUIPMENT

SERVING THE FOOD INDUSTRY SINCE 1951

HOT DOG ROLLERS

Item: 44690 / 44691 / 44692

Model: CE-CN-0005-N / CE-CN-0007-N / CE-CN-0009-N



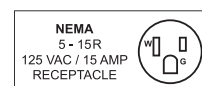
- Stainless steel rollers
- Heating indicator
- 0-250° Heat setting
- Separate front/back roller temperature zone control
- Easy setup & installation
- Quick heating allows faster service & energy efficiency
- Removable drip tray for excessive oil and food
- Non-skid rubber feet prevent sliding
- Easy to use and clean



Authorized Dealer



WARRANTY
PARTS AND LABOR

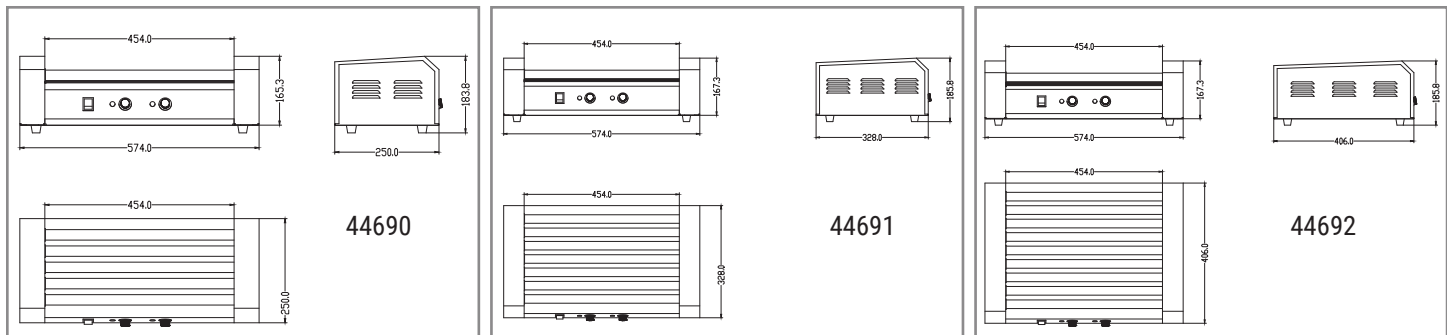


COOKING EQUIPMENT

HOT DOG ROLLERS



	5 ROLLERS	7 ROLLERS	9 ROLLERS
Item	44690	44691	44692
Model #	CE-CN-0005-N	CE-CN-0007-N	CE-CN-0009-N
Number Of Rollers	5	7	9
Length Of Rollers	17.9" 454 mm	17.9" 454 mm	17.9" 454 mm
Amps	5.4	7.6	9.75
Electrical (V/Hz/Ph)	120V / 60Hz / 1Ph	120V / 60Hz / 1Ph	120V / 60Hz / 1Ph
Power	650W 0.65kW	910W 0.91 kW	1170W 1.17 kW
Weight	6.3 kg 14 lbs.	8.1 kg 17.8 lbs.	10 kg 22 lbs.
Gross Weight	7.8 kg 17 lbs.	9.6 kg 21 lbs.	11.8 kg 26 lbs.
Dimensions (WDH)	22.6" x 9.8" x 7" 574 x 250 x 183.8 mm	22.6" x 13" x 7" 574 x 328 x 185.8 mm	22.6" x 16" x 7" 574 x 406 x 185.8 mm
Gross Dimensions	25" x 12" x 9" 640 x 315 x 230 mm	25" x 15" x 9" 640 x 385 x 230 mm	25" x 18" x 9" 640 x 465 x 230 mm
Optional Item	Sneeze Guard (Item 44152)	Sneeze Guard (Item 44153)	Sneeze Guard (Item 44154)



OMCAN INC.

Telephone: 1-800-465-0234

Fax: (905) 607-0234

E-mail: sales@omcan.com

Website: www.omcan.com



Follow us to keep up to date with the latest news and offers

