

GENERAL PUMP *A member of the Interpump Group*

DHRGH150

Garden Hose Reel



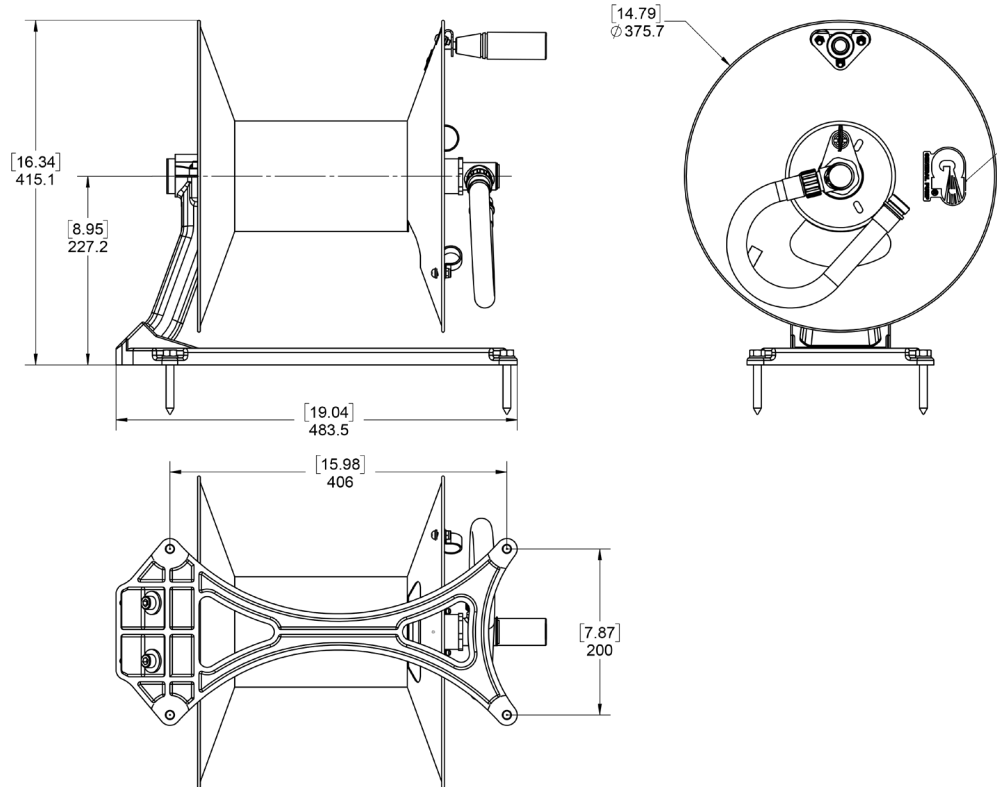
SPECIFICATIONS

PART NUMBER	DHRGH150
5/8" Hose Capacity (Low Pressure)	150 ft.
Max Pressure Rating	150 PSI
Inlet	3/4" GH-F
Outlet	3/4" GH-M
Ship Weight	22.0 lbs.
Materials	Aluminum, Steel, Brass, Rubber

FEATURES / BENEFITS

- Low pressure garden hose reel
- Durable gray high-gloss powder coated finish
- Can be set up for left- or right-hand orientation
- Can be mounted parallel or perpendicular to a wall
- Robust high flow brass swivel
- HD pedestal stand - mount on wall, workbench or pressure washer
- Includes 6', 5/8" connection hose, brass fittings, and mounting hardware.
- One-piece welded drum

DIMENSIONS (in/mm)



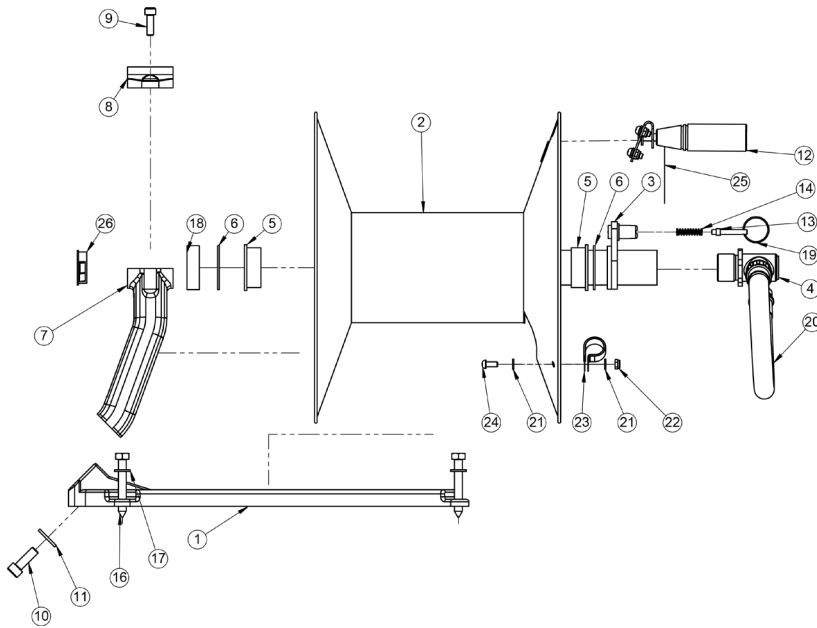
General Pump is a member of the Interpump Group



Ref 301079 Rev B
09-22



PARTS LIST



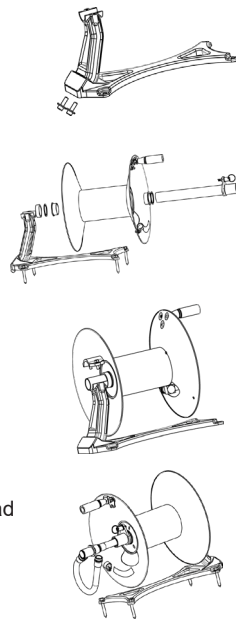
Item No.	Part No.	Description	Qty.
1	2450009	BASE	1
2	2103270	ASSY, FLANGE	1
3	2530119	TUBE, MOUNTING	1
4	2103081	SWIVEL	1
5	2530025	BUSHING	2
6	2203403	WASHER	2
7	2450013	STAND	1
8	2450010	CAP	1
9	2200054	SHCS	2
10	2200077	SHCS, M10 X 30	2
11	2200042	WASHER, M10, FLAT, SST	2
12	100056	HANDLE KIT	1
13	2530078	PIN, LOCK	1
14	2720004	SPRING	1
15	2103082	HOSE, ASSY, 6' (not shown)	1
16	2200078	BOLT, LAG	4
17	2200008	WASHER, FLAT, M10	4
18	2660199	SPACER	1
19	2200032	RING	1
20	2103096	ASSY, HOSE	1
21	2200018	WASHER, M6	2
22	2200026	NUT, NYLOK, M6	1
23	2202025	CLAMP, HOSE	1
24	2200083	BOLT, M6	1
25	2400004	DECAL, GP	1
26	2660440	LOCKING GROMMET, 38MM	1

ASSEMBLY INSTRUCTIONS

ASSEMBLY INSTRUCTIONS

Changing from right hand orientation to left

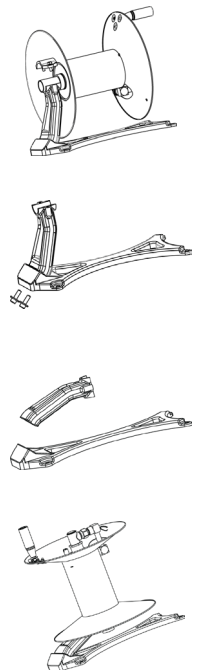
1. Attach stand (Item 7) to base (Item 1) with M8 SHCS (Item 10) and washers (Item 11).
2. Slide items 18, 6, 5, and 2 on to preassembled mounting tube.
3. Insert cap (Item 8) onto stand and tighten bolts (Items 9).
4. Attach hose (Item 15) to swivel (Item 4) and thread swivel into mounting tube. A little light oil or grease helps with threading.
5. Attach your garden hose to the swivel and you are ready to use your garden hose reel.



ASSEMBLY INSTRUCTIONS

Changing from Perpendicular Mount to Parallel Mount

1. Remove the mounting tube and hose reel assembly by removing the cap fastened by (2) M8 x 25 hex head bolts. This makes the switch easier.
2. Remove the (2) M10 SHCS holding the stand to the base.
3. Rotate the stand 180° and reattach to base.
4. Reassemble the hose reel assembly and mounting tube.



SAFTY PRECAUTIONS

1. Make sure incoming pressure does not exceed the rated pressure.
2. Use proper eye protection when assembling and using the hose reel.
3. Assemble the hose reel on a clean workbench free of debris and moisture.
4. Use soap and water when checking for air leaks.
5. Keep children away from work area.

WARNING!

Exposure of skin directly to pressurized air or fluids could result in severe bodily injury!