

EN

Original operating manual with spare parts list

High-pressure cleaner

Quickly



Original operating manual with spare parts list

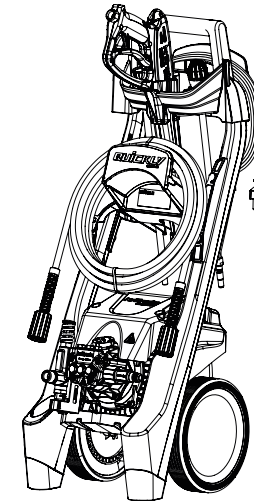
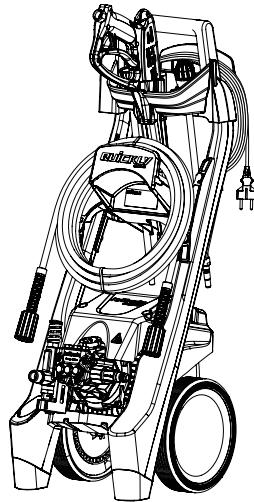
EN

High-pressure cleaner

Quickly

Operating manual with spare parts list!

Read and observe safety instructions before use!
Keep the booklet for later use or subsequent users.



Technische Daten	Quickly
Arbeitsdruck	130 bar / 13 MPa
Düsengröße	028
Max. zulässiger Überdruck	145 bar / 14,5 MPa
Wasserleistung	bei 2.800 U/min 6,3 l/min
max. Wasserzulaufdruck	10 bar / 1,0 MPa
Warmwasserzulauf	max. 40 °C
Hochdruckschlauch	8 m
Zusatzmittelansaugung	nein
Schlauchtrommel	nein
Totalstop-System (TS)	ja
Elektrischer Anschlußwert	230 V, 7,9 A, 50 Hz
Leistungsaufnahme	P 1: 1,8 kW
Leistungsabgabe	P 2: 1,35 kW
Gewicht	20 kg
Maße mit Fahrgriff in mm	420 x 285 x 900
Emmisions-Schalldruck am Arbeitsplatz* L _{pa}	77,5 dB (A)
Schalleistungspegel* L _{wa}	80 dB (A)
Rückstoß an Lanze	ca. 27 N
Vibration an Flachstrahl Lanze**	1,14 m/s ²
Messunsicherheit Flachstrahl**	0,40 m/s ²
Vibration an Schmutzkiller Lanze**	1,34 m/s ²
Messunsicherheit Schmutzkiller**	0,84 m/s ²
Art.-Nr.	497500

Technical data	Quickly
Operating press.	130 bar / 13 MPa/ 1885PSI
Nozzle size	028
Permissible overpressure	145 bar / 14,5 MPa/ 2103PSI
Water output	at 2.800 rpm 6,3 l/min
max. Water inlet pressure	10 bar / 1.0 MPa/ 145 PSI
Water inlet temperature	max. 40 °C
high-pressure hose	8 m
Detergent suction	no
Hose drum	no
Total stop system (TS)	yes
Connected load	230 V, 7,9 A, 50 Hz
Power input	P 1: 1.8 kW
Power output	P 2: 1.35 kW
Weight	20 kg
Dim. incl. pulling handle in mm	420 x 285 x 900
Emmisions sound pressure level at the workplace* L _{pa}	77,5 dB (A)
Sound power* L _{wa}	80 dB (A)
Recoil at lance	ca. 27 N
Vibration at Flat-Jet lance**	1,14 m/s ²
Measurement uncertainty Flat-Jet**	0,40 m/s ²
Vibration at Dirtkiller lance**	1,34 m/s ²
Measurement uncertainty Dirtkiller**	0,84 m/s ²
Item no.	497500

Zulässige Abweichung der Zahlenwerte ± 5 % nach VDMA Einheitsblatt 24411

*geprüft gemäß DIN EN ISO 3744 und DIN EN ISO 11203 (Entfernung 1m)

**geprüft gemäß DIN EN ISO 5349-1

Permissible tolerance for figures ± 5 % acc. to VDMA uniform sheet 24411

* tested according to DIN EN ISO 3744 and DIN EN ISO 11203 (distance 1m)

** tested according to DIN EN ISO 5349-1

Dear customer:

We would like to congratulate you on the purchase of your new high-pressure cleaner and thank you for your confidence in our products. Your choice has fallen on an absolute quality product!

Kränzle high-pressure cleaners are characterized by their convenient and compact design as well as their high suitability for everyday use. Highest precision and dimensional accuracy in addition to a technology package consisting of a multitude of details mark the difference when it comes to performance, safety and durability.

In order to facilitate handling of the high-pressure cleaner, the following pages are intended to further explain its use. The figures may be subject to deviation depending on the type of equipment or accessory purchased by you.

Technical data - Quickly	4
Contents	6
Explanatory symbols	7
Safety precautions	8
General rules	11
Description of high-pressure cleaner	12
Functional details	14
Putting into operation	18
Taking out of operation	22
Small repairs - do it yourself!	24
EU Declaration of Conformity	27
Warranty	28
Floor cleaner Round Cleaner UFO light	29
Kränzle accessories	36
Pipeline plan	38
Spare parts list	40

Symbols used in the operating instructions



Failure to observe this note may entail environmental damage.



Note on using the high-pressure cleaner. Failure to comply may lead to excessive wear or even total failure of the Quickly.



Warning! Failure to observe this note may result in serious injuries!

Explanatory symbols affixed to the high-pressure cleaner



In case of improper use, the high-pressure jets can be very dangerous. In case of improper use, the high-pressure jets can be very dangerous. Do not direct jet at persons, animals or active electrical equipment or the high-pressure cleaner itself.



Water supply: See page 12



Products marked with this symbol may contain constituents posing a risk to health or the environment if incorrectly disposed of. These products must never be disposed of as household waste.

Explanatory symbols used on packaging



This symbol denotes recyclable packaging materials which must not be disposed of as household waste. Information on proper disposal will be gathered from the recycling directives issued by your local authority.

Persons operating the machine should wear the necessary protective clothing, i.e. safety goggles, headwear etc. It must be ensured that the high-pressure cleaner is only operated in the presence of persons without sufficient protective clothing and at a sufficient distance.

Use of high-pressure cleaners may result in aerosols being generated. An aerosol is a mixture of floating solid or liquid particles in a gas. Inhaling aerosol particles may cause damage to health. As a preventive measure, we recommend wearing a respirator mask of class FFP 2 or higher.

Whenever the high-pressure cleaner is left unattended, the mains disconnect switch must always be switched off.

Asbestos and other materials containing hazardous substances must not be sprayed!

Never spray flammable liquids or liquids containing solvents such as paint thinners, petrol, oil or similar liquids! Explosion hazard due to spraying such materials!

Due to the high-pressure jet, damage may occur on the objects to be cleaned, e.g. car tires. Therefore, a minimum distance of 15 - 30 cm is to be kept!

Prior to putting the high-pressure cleaners into operation, check its components (HP hose, power supply cables, safety trigger gun) for any damage. Replace defect or damaged components!

Only use original Kränzle high-pressure hoses, couplings, fittings and spare parts. They guarantee the safety of the appliance.

If use is made of an extension cable, this must be suitable for outdoor use. In addition care needs to be taken to ensure that the cable is kept dry and that it is situated above the ground.

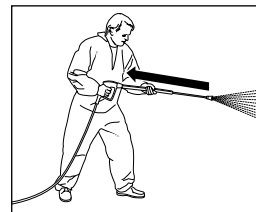
Replacement of the power supply cables is only permitted by use of an original power supply cable of the manufacturer and must be performed by a qualified electrician.

Safety devices serve to protect the user and must never be de-activated or their function bypassed.

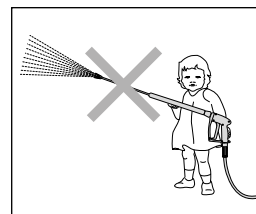
The high pressure cleaner is to be properly used. The user is required to adhere to local requirements and to watch out for any persons in the danger zone.

If used in elevated positions where there is a risk of the unit falling to the ground, it must be secured against rolling away or tipping over.

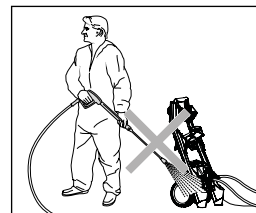
The high-pressure cleaner is not designed for use by persons with restricted physical, sensory or mental abilities (including children)!



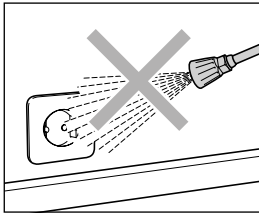
When using high-pressure water for cleaning, make sure that there is a clearly noticeable recoil effect on the lance. Therefore ensure a firm footing (see technical data).



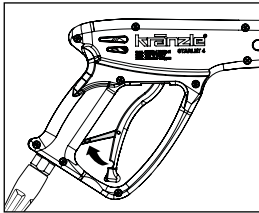
Never allow children or untrained persons to use the high-pressure cleaner or to play with it! Children must be kept under supervision to prevent them from playing with the equipment.



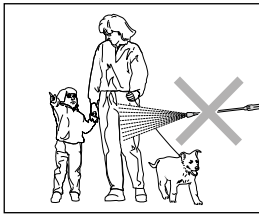
Never direct the water jet at the high pressure cleaner itself! The high pressure cleaner may not be placed within reach of the water jet spray mist!



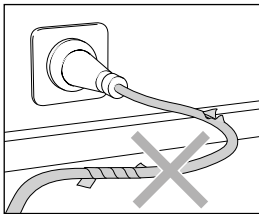
Do not direct the high-pressure jet at sockets or other electrical equipment! Within the working area, all live parts are to be protected from both water jet and spray mist.



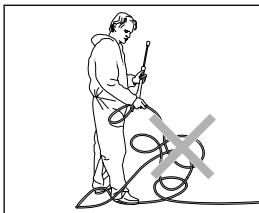
Apply the safety catch on the spray gun after each use in order to prevent unintentional spraying!



Do not direct the high-pressure jet at people or animals! Never direct the high-pressure jet at yourself or other persons, not even to clean clothing or shoes.



Only use a power supply cable in perfect working order! Do not damage or improperly repair the power cable (tearing, squeezing, running over, ...).



Never pull the high-pressure hose if it has formed kinks or "nooses"! Never pull the hose over sharp edges!

Intended Use

This high-pressure cleaner is to be used solely for high-pressure water jet cleaning applications without detergents or low-pressure cleaning work with detergents (e.g. with a foam lance or washing brush). It is solely designed for home users for typical applications around the house and garden (for cleaning facades, terraces, garden equipment, tools, vehicles and machinery as well as building structures). It is not intended for commercial use.



Environmental, refuse disposal and water protection regulations must be observed!

Inspections

Whenever necessary and at least once every 12 months, the high-pressure cleaner needs to be inspected by a qualified expert to ensure that it is still safe to operate.

Accident prevention

The high-pressure cleaner is designed for accidents to be impossible if used correctly. The user must be made aware of the risk of injury from hot machine parts and the high-pressure jet. The "Guidelines for Liquid Spray Devices" must be complied with.

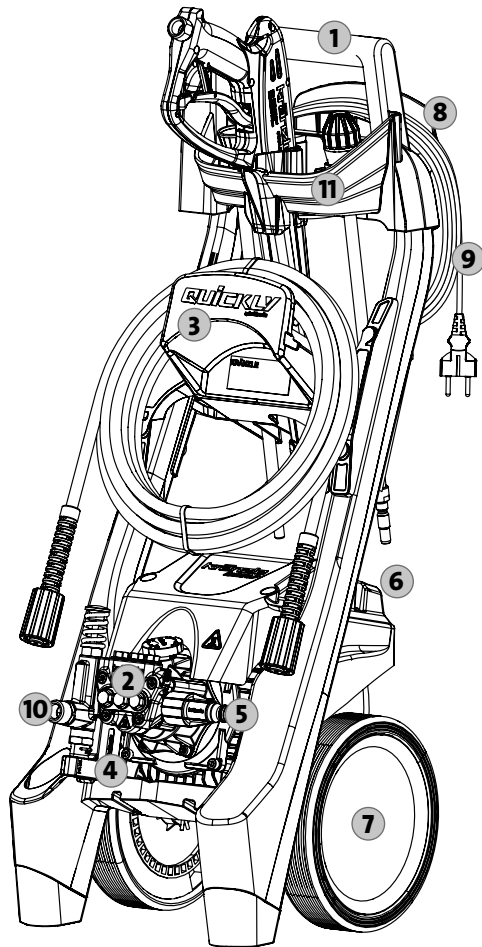


Oil leakage

If oil leaks contact your nearest after-sales service (dealer) at once. Failure to observe this instruction may cause damage to the environment and/or transmission gearbox.

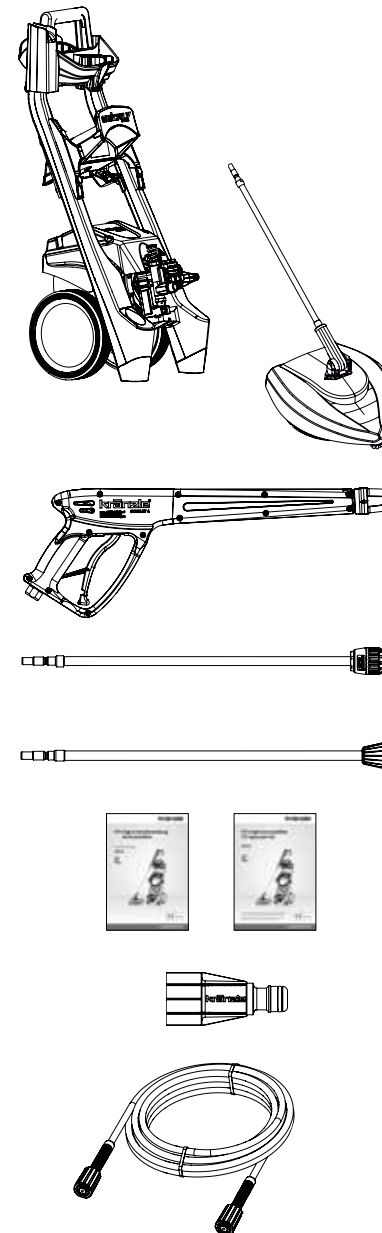
Structure: Quickly (with holder for 8 m high-pressure hose)

The Quickly is a mobile high-pressure cleaner with an advanced arrangement system. Please see construction scheme for more details.



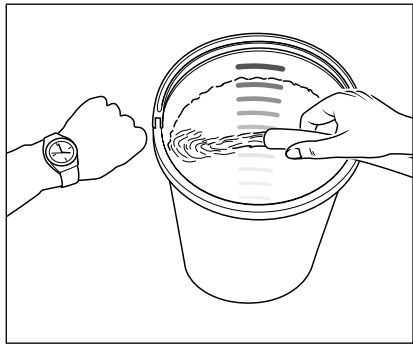
- 1 Ergonomically shaped handlebar
- 2 Pump head made of special brass
- 3 Holder for 8 m high-pressure hose
- 4 Totalstop
- 5 Supply water inlet sieve with filter
- 6 On/Off switch
- 7 Large stair climbing wheels
- 8 Cable reel for the power supply cable
- 9 Power supply cable with mains plug
- 10 Pump outlet / high-pressure hose connection
- 11 Accessory storage

This is what you have purchased



- 1. Kränzle high-pressure cleaner Quickly
- 2. Round Cleaner UFO
- 3. Trigger gun with safety catch with plug coupling
- 4. Dirtkiller lance with stainless steel pipe and plug-in nipple
- 5. Stainless steel lance with flat-jet nozzle and plug-in nipple
- 6. Operating manual
Spare parts list
- 7. Water inlet sieve, plug coupling with visible filter
- 8. High-pressure hose

Please note - important: Lack of water



Lack of water occurs more often than you probably believe. The more powerful a high-cleaner is the greater is the danger that a lack of water occurs. If there is only an insufficient amount of water available, cavitation (water-gas mixture) arises inside the pump, which is normally noticed too late or even not at all.

The high-pressure pump will be destroyed. Please check the available quantity of water. There must be at least 8 l/min in the inlet.

Required minimum quantity of water (see technical data).



If the metered quantity of water is too small, you have to use a different water connection, guaranteeing the necessary output. Lack of water leads to an accelerated wear of the joints (guarantee void).



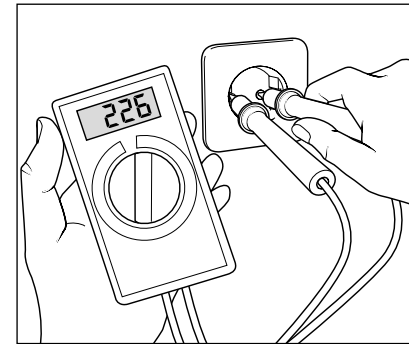
Never let the high-pressure pump run dry for more than 60 seconds.

Water supply



Please pay attention to the regulations of your waterworks company! In accordance with DIN EN 61770, the high-pressure cleaner may not be directly connected to the public drinking water supply lines. A brief connection however is permissible according to DVGW (German Association for Gas and Water Affairs) if a non-return valve with tube ventilator is built into the water supply. **Once the water has passed through the non-return valve it is no longer considered as drinking water.** Also indirect connection to the public drinking water supply lines is permissible by way of free emission in accordance with EN 61 770; e.g. by using a reservoir with a float valve. Direct connection to a non-drinking water supply line is permissible.

Insufficient quantity of electricity



If there are too many collectors in your proximity connected to the network at the same time, the available voltage and the current intensity may decline. Consequently the motor of the high-pressure cleaner does not start or even blows. The power supply may also be insufficient if the power cable is too long or too thin. If extension cables are too long, this may lead to a voltage drop causing malfunctions or start-up difficulties.



Check the line fusing and have the voltage and the available current intensity checked by an expert in case of uncertainty (see technical data).

Electrical connection

The machine is supplied with a 5 meter electrical power cable with plug. The mains plug must be fitted to a standard grounded socket with a 30mA residual current operated device. Connection up to the mains must be carried out by a properly trained electrician and must comply with the requirements of IEC60364-1. The socket must be protected with a 16A delay action fuse on the mains side. When using an extension cable, this must have an earthed lead which is properly connected to the socket. The conductors in the extension cable must have a minimum cross section of 1.5 mm². Plug connections must be of a spray-proof design, and may not be located on a wet floor. When using a cable drum, always keep the cable wound as far as possible. **The cable must not be longer than 20 m.**

Water and cleaning system

The water must be supplied to the high-pressure pump under line pressure. Then, the water is sucked by the high-pressure pump and supplied to the safety jet pipe under pressure. The high-pressure jet is formed by the nozzle at the end of the safety jet pipe.



Environmental, refuse disposal and water protection regulations must be observed!

Safety jet pipe with safety deactivation trigger gun

The high-pressure cleaner can only be operated when the trigger of the safety deactivation trigger gun's trigger is actuated. When the trigger is pulled, the safety deactivation trigger gun opens. The liquid is then transported to the nozzle. The spray pressure increases and quickly reaches the operating pressure. When the trigger is released, the safety deactivation trigger gun closes and any further spraying of liquid from the safety jet pipe is prevented. The pressure thrust serves to close the start/stop system, thus interrupting the energy supply to the motor. Pressing the trigger closes the start-stop system, the motor is automatically switched on again and the high-pressure pump delivers the water to the nozzle, where the high-pressure jet is formed.



The trigger gun with safety catch is a safety device. Repairs should only be performed by qualified persons. Should replacement parts be required, use only components authorized by the manufacturer.



Replacements, repairs, new adjustments and sealing should only be performed by qualified persons.



Prior to putting the machine into operation make sure that all safety instructions be observed.

Motor protection switch

Motor is protected against overload by means of a motor protection switch. If the motor is overloaded or blocked, the high-pressure cleaner switches off. If the motor switches off repeatedly, eliminate the cause of the fault.



Replacements and inspection work should only be performed by qualified persons when the machine is disconnected from the power supply, i.e. with plug pulled out from the electrical socket.

Total stop system

The Quickly is equipped with a total stop system. If the main switch is switched on, the motor is started via a pressure switch when opening the trigger gun with safety catch. When closing the safety trigger gun the motor is switched off immediately.

high-pressure hose and spray device

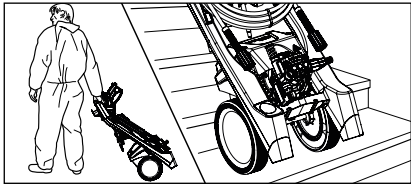
The high-pressure hose and spray device which are part of the Quickly equipment, are made of high-quality material and engineered to conform with the operating conditions of the high-pressure cleaner and are duly labelled.



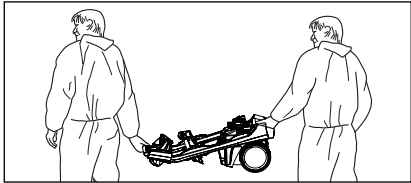
If replacement parts are required, only such genuine spare parts that are authorised by the manufacturer may be used. The warranty is automatically void if spare parts of third-party providers are used! The high-pressure hose and spray device must be connected in a pressure-tight manner (without leakage).



The high-pressure hose may not be driven over, pulled excessively, or twisted. The high-pressure hose may under no circumstances be pulled over sharp edges. Defective high-pressure hoses must not be repaired (acc. to DIN 20022) but must be replaced by new hoses approved by the Kränzle.



1. Move high-pressure cleaner to the job site. The Quickly is a movable high-pressure cleaner with sturdy trolleys ideally suited for difficult terrain.

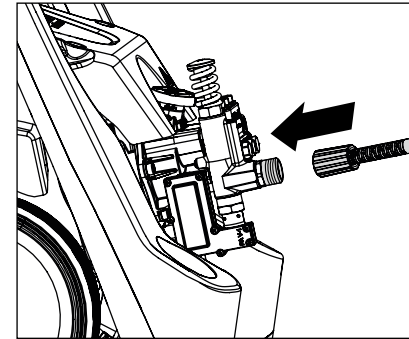


2. Owing to its light weight and handy size, the Quickly can be easily carried by two persons.

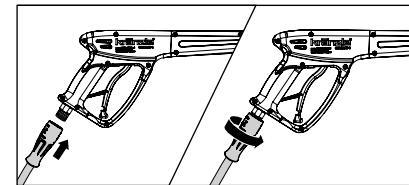
Weight 20 Kg



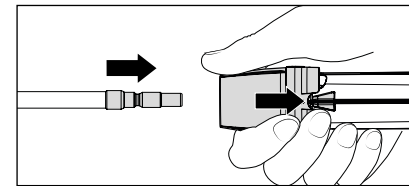
Neither set up or operate the Quickly in rooms where there is a risk of fire or explosion nor put it into puddles. Do not use the high-pressure cleaner under water. If, none the less, the high-pressure cleaner is operated in a hazardous area, the applicable safety regulations are to be observed.



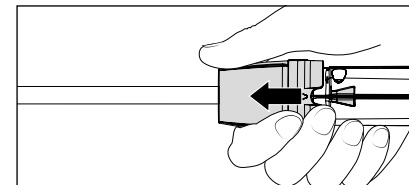
3. For high-pressure cleaners without hose drum the high-pressure hose included in the scope of delivery must be screwed onto the pump outlet by hand to make it pressure-tight. Unwind high-pressure hose straight and without nooses.



4. Tightly screw together high-pressure hose and trigger gun with safety catch.



5. First pull back the retaining sleeve of the trigger gun with safety catch, then insert lance into the plug coupling connection of the gun.



6. After insertion of the lance, release retaining sleeve and make sure that the lance is in a secure position. **Lubricate the plug nipple regularly with grease.**



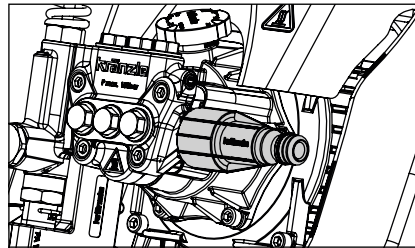
The plug coupling must not be actuated/handled during operation! High risk of injury!



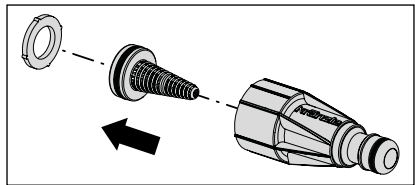
Check the plug-in coupling and plug nipple for cleanliness (sand, dirt, ...) before inserting, clean with clear water if necessary. Contamination can damage the seal in the plug-in coupling.

! When extending the high-pressure hose please consider the maximum length of 20 m!

! Accessories may only be connected to a Kränzle-approved trigger gun with safety catch.

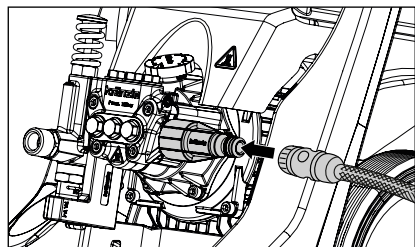


7. Check water sieve filter for cleanliness prior to putting the machine into operation. When inside filter is contaminated, remove filter and follow step 7.1. If the screen is dirty, no water can run through and no pressure can build up.



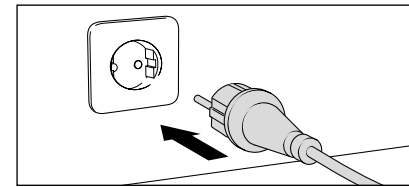
7.1 If contaminated, remove the filter and thoroughly rinse it with clear water and clean it with the other parts.

! Check the water inlet sieve for damage. Do not operate the high-pressure cleaner without or with a damaged filter.



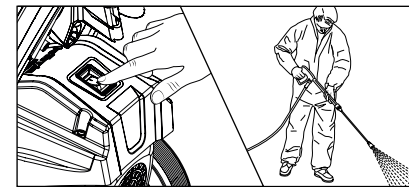
8. Connect the water hose to water inlet sieve (minimum requirements: 5 m hose length, cross-section 3/4", 10 bar). The high-pressure cleaner may be connected to a water mains (1-10 bar pre-pressure) with either cold or hot water (up to 40°C).

! **Be careful when using hot water!** When running your high-pressure cleaner with hot water of 40° C raised temperatures occur. Do not touch the metal parts of the high-pressure cleaner without safety gloves!

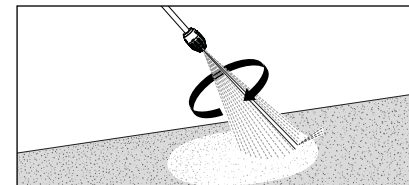


9. Connect to circuit (see technical data).

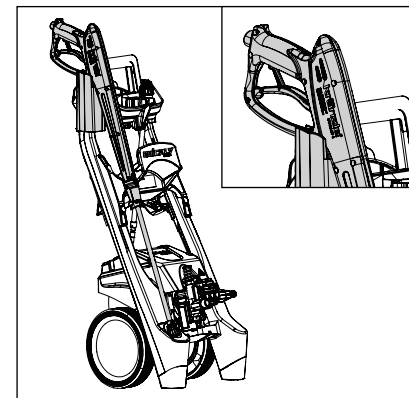
! Do not touch the mains plug or any live parts with wet or moist hands.



10. Switch on high pressure cleaner with opened trigger gun with safety catch (trigger pulled). Bleeding of the HP cleaner: Pull and release trigger of trigger gun with safety catch several times. Start with cleaning process.



11. When using the Dirtkiller, ensure that the lance is pointing down for start-up. **Best cleaning performance is achieved at a distance of 12 - 15 cm (dirtkiller and flat-jet nozzle)**



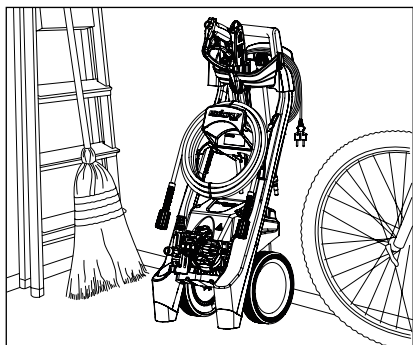
12. The Quickly features a holder for holding the trigger gun with safety catch and lance during work breaks.

! It is imperative that safety instructions be observed during use of the high-pressure cleaner.

1. Switch off the high-pressure cleaner
2. Cut off the water supply
3. Open the trigger gun with safety catch briefly until the pressure is released
4. Apply safety catch on the trigger gun
5. Unscrew the high-pressure hose from the trigger gun with safety catch
6. Emptying high-pressure pump: Hold high-pressure hose and switch motor on until water jet stops escaping at the outlet.
7. Pull out the mains plug
8. Clean high-pressure hose and wind up without loops
9. Clean and wind up the power supply cable
10. Clean the water inlet sieve
11. Store high-pressure cleaners in frost-free rooms in winter

Frost protection

For protecting the high-pressure cleaner against frost please empty it completely. Separate high-pressure cleaner from water supply and switch it on. By opening the trigger gun with safety catch the high-pressure pump presses water out of the high-pressure cleaner. **However, do not allow the device to operate without water for more than one minute.**



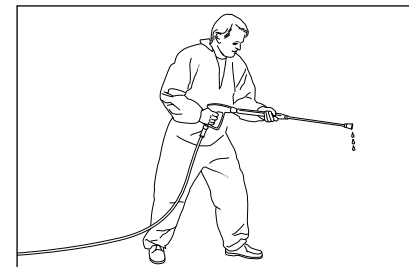
Due to their small base, the compact and mobile Kränzle the high pressure cleaners are easy to store.

Problem

No water from nozzle although the high-pressure cleaner is running.

Cause

Most likely the nozzle is blocked.



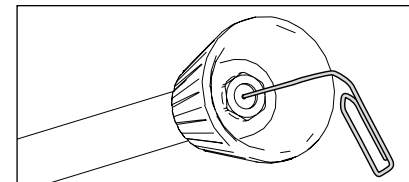
No or very little water from the lance.

Proceeding:

Switch off the cleaner. Pull plug from the socket. Operate trigger gun with safety catch several times to decrease the pressure.

Unscrew trigger gun and lance first, then rinse high pressure gun to remove possible soiling.

Check water inlet sieve for soiling.



If the problem still exists, take wire (paper clip) and push through nozzle opening. If this procedure is not successful, the nozzle has to be dismantled and cleaned or even replaced, if necessary.



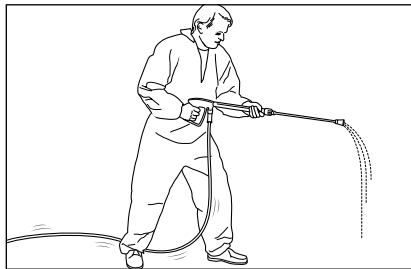
Pull plug from socket prior to starting any repair work!

Problem

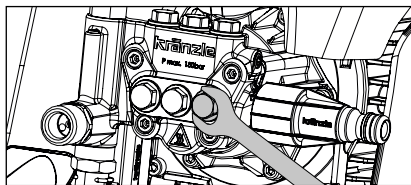
An irregular jet comes out of the nozzle.

Cause

Most likely the valves are soiled or sticky.

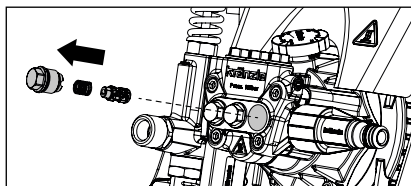


The water from the lance comes in squirts. The high-pressure hose vibrates.

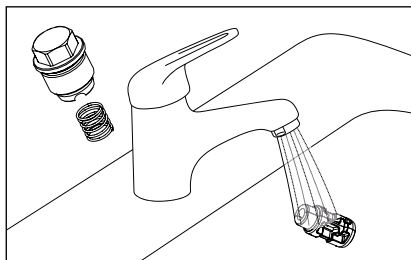


Proceeding:

Unscrew all 6 valves, one after the other (hexagonal brass screws, 3 in a row, vertically and horizontally).



Remove the screw with valve body and spring. Check the valve body for damage. If damaged, the valve body must be replaced.



Clean the valves under running water.

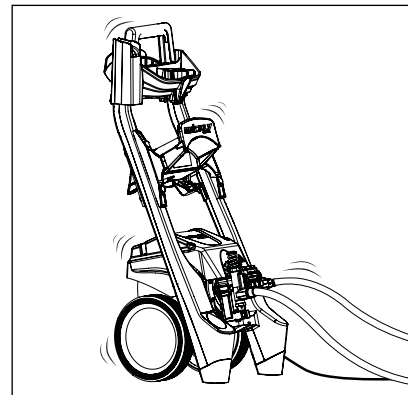
Do not forget the O-ring during reassembly!

Problem

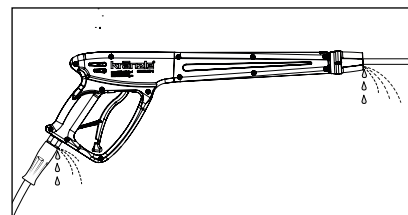
After closing of the trigger gun with safety catch the high pressure cleaner keeps switching on and off.

Possible cause no.1:

Leakage.

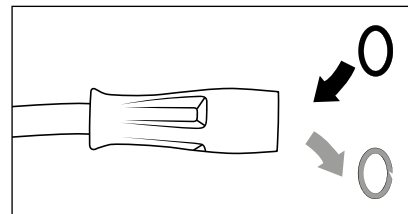


Having closed the trigger gun with safety catch, the high-pressure cleaner must shut down. Failure to shut down may be caused by leakage in the high-pressure pump, the switch, the high pressure hose, the trigger gun with safety catch or the lance.



Proceeding:

Check connections from the HP cleaner to the high pressure hose and from the hose to the trigger gun and also the connection between lance and trigger gun for tightness.



Switch off the cleaner. Shortly press the trigger of the trigger gun with safety catch to decrease the pressure. Remove high-pressure hose, trigger gun with safety catch and lance and check the O-rings. If the O-rings are damaged they have to be replaced.



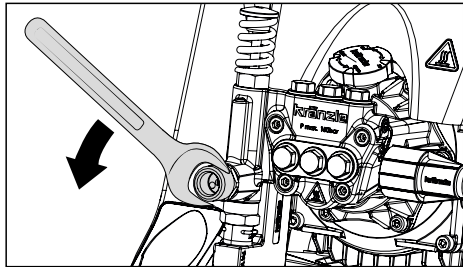
In case of a leakage there is no guarantee for possible consequential damages.

Problem

After closing of the trigger gun with safety catch the high pressure cleaner keeps switching on and off.

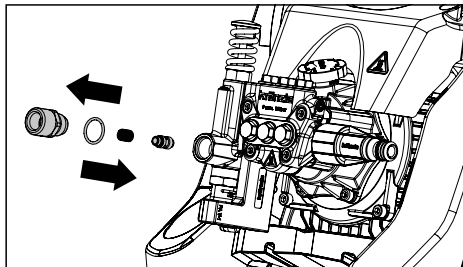
Possible cause no. 2:

The non-return valve is defective.

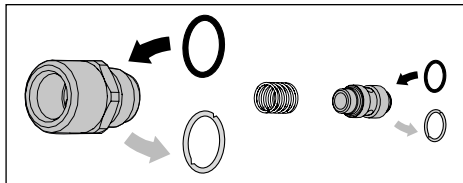


Proceeding:

Switch off the high-pressure cleaner and pull plug from socket. Cut off the water supply. Shortly press the trigger of the trigger gun with safety catch to decrease the pressure. Unscrew pump outlet.



Take out check ball and check O-ring for soiling or damage. Also check stainless steel seat of ball inside the pump housing for soiling or damage.



If the O-rings are damaged they have to be replaced. Check the valve tappet for damage to the sealing seat.



There is no guarantee if the high-pressure pump is damaged by defective O-rings due to air induction or lack of water (cavitation).

We hereby declare that the design of the high pressure cleaners:

Quickly

Nominal flow: **378 l/h**

technical specifications available from:

**Josef Kränzle GmbH & Co. KG
Manfred Bauer
Rudolf-Diesel-Str. 20, 89257 Illertissen**

comply with the following guidelines and their amendments for high pressure cleaners:

**Machinery directive 2006/42/EU
EMC-directive 2014/30/EU
ROHS-directive 2011/65/EU
Outdoor directive 2000/14/EC**

Sound level measured: **77,5 dB (A)**
Sound level guaranteed: **80 dB (A)**

Applied conformity assessment procedure:

Annex V, outdoor directive 2000/14/EC

Applied specifications and standards:

**EN 60335-1: 2012/A13: 2017
EN 60335-2-79: 2012
EN 62233: 2008
EN 55014-1: 2006+A1: 2009+A2: 2011
EN 55014-2: 2015
EN 61000-3-2: 2014
EN 61000-3-3: 2013**

Josef Kränzle GmbH & Co. KG
Rudolf-Diesel-Straße 20
89257 Illertissen (Germany)

Josef Kränzle
(Managing director)

Illertissen, 2023-11-20

Dieser Kränzle Hochdruckreiniger ist nur für die ausschließliche und typische Anwendung des Privatanwenders rund um Haus und Garten (zum Reinigen von Fassaden, Terrassen, Gartengeräten, Werkzeugen, Fahrzeuge und Maschinen sowie Bauwerken) konzipiert und nicht für den gewerblichen Einsatz bestimmt.

Die Gewährleistungspflicht der Josef Kränzle GmbH & Co. KG gegenüber dem Händler, von dem Sie diesen Kränzle Hochdruckreiniger (=Produkt) erworben haben, gilt ausschließlich für Sachmängel, wie Material- und Herstellungsfehler.

Mängel, die auf langen und häufigen Gebrauch des Produkts zurückzuführen sind und damit für Alter und Nutzungsintensität des Hochdruckreinigers typisch sind, gehen auf Verschleiß der entsprechenden Produktkomponenten zurück und stellen damit keinen Mangel des Produkts dar. Solche Mängel führen nicht zu Mängelrechten des Käufers. Insbesondere Manometer, Düse, Ventile, Dichtungsmanschetten, Hochdruckschlauch und Spritzeinrichtung sind Verschleißteile.

Das Produkt muss gemäß dieser Betriebsanleitung betrieben werden. Die Betriebsanleitung ist Teil der Gewährleistungsbestimmungen.

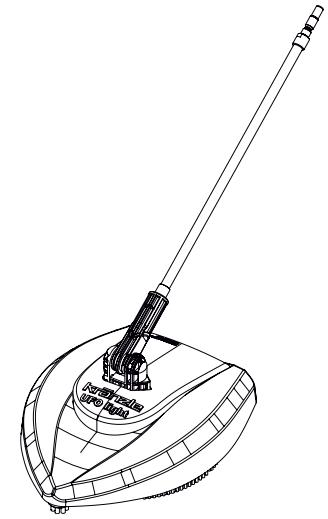
Veränderungen an den Sicherheitseinrichtungen des Produkts sowie Fehlbedienungen, wie etwa die Überschreitung der Temperatur- und Drehzahlgrenze wie auch Unterspannung, Wassermangel und Schmutzwasser, sowie der nicht bestimmungsgemäße Einsatz des Produkts können zu Schäden am Produkt führen, die keinen Sachmangel darstellen.

Ist die Verwendung von anderen als Original Kränzle Zubehörteilen und Original Kränzle Ersatzteilen ursächlich für einen Mangel unseres Produktes, kann dies zum völligen Verlust von Gewährleistungsansprüchen führen. Nur die Verwendung von Original Kränzle Zubehörteilen und Original Kränzle Ersatzteilen, die auf den jeweiligen Kränzle Hochdruckreiniger abgestimmt sind, bietet die Gewähr für einen sicheren und störungsfreien Betrieb des Kränzle Hochdruckreinigers.

Es gelten die für das jeweilige Land gesetzlich festgelegten Verjährungsfristen für gesetzliche Mängelansprüche.

In Gewährleistungsfällen wie auch beim Auftreten eines sonstigen Mangels wenden Sie sich bitte mit Zubehör und Kaufbeleg an Ihren Händler oder die nächste autorisierte Kundendienststelle. Diese finden Sie auch im Internet unter www.kraenzle.com.

Floor cleaner Round Cleaner UFO light



Round Cleaner UFO light

Operating pressure, max.	160 bar
Flow rate, max.	10 l/min
nozzle system	03
Temperature max.	40 °C
Weight	1,25 kg
Order no.	41870

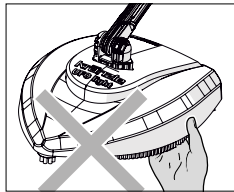
Permissible tolerance for figures $\pm 5\%$ in acc. with VDMA uniform sheet 24411

Explanatory symbols used on the accessories

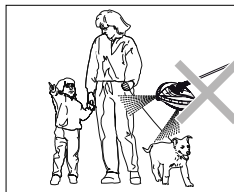


Read and observe safety instructions in the operating manual before use!
 There is a risk of injury from the rotating arm of the Round Cleaner light.
 Never reach under the Round Cleaner light when the high-pressure cleaner is running.

After switching off the high-pressure cleaner, the rotating arm continues to rotate for a few seconds. After switching off the high-pressure cleaner, wait until the rotating arm stops and then unplug the high-pressure cleaner from the mains before working on the Round Cleaner light.



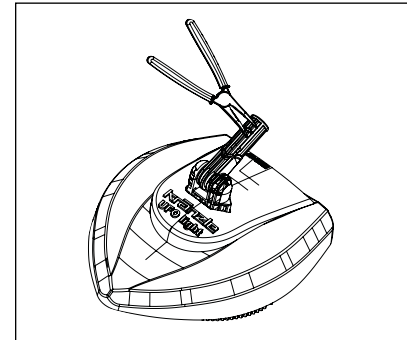
Never touch the bottom of this appliance if it is connected and ready for operation! Never touch the rotating rotor!



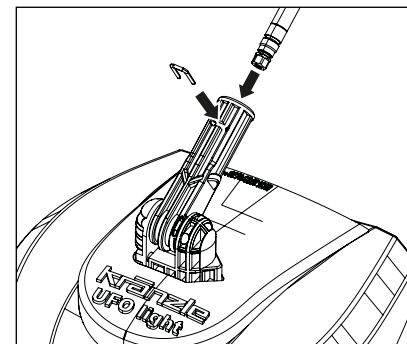
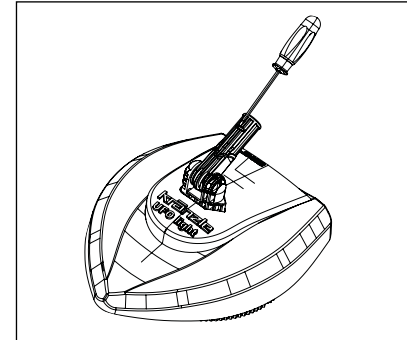
Never direct the high-pressure jet at people or animals!
 Never direct the high-pressure jet at yourself or other persons, not even to clean clothing or shoes.



Never allow children or untrained persons to use the Round Cleaner INOX or to play with it! Children must be kept under supervision to prevent them from playing with the equipment.



Pull out the clip with needle-nose pliers or alternatively lever out the clip with a screwdriver.



Then insert the stainless steel tube from above and then reinsert the clamp. Inserting the clamp requires some force, as it must be firmly connected to both components to ensure a firm hold.

Floor cleaning

The Round Cleaner is particularly suitable for cleaning plane surfaces like carriage gateways, terraces etc.

Mount the Round Cleaner instead of the spray lance to the high-pressure gun of your HP-cleaner. Place the Round Cleaner to a non-sensitive surface, e.g. asphalt.

When cleaning sensitive surfaces try out the Round Cleaner on a barely visible spot first. **Do not exceed max. pressure** (see technical data)



max. angle 45°

Taking out of operation

1. Switch off the high pressure cleaner
2. Cut off the water supply
3. Open the trigger gun with safety catch briefly until the pressure is released
4. Apply safety catch on the trigger gun
5. Remove Kränzle Round Cleaner
6. Check if the rotor is tangled with threads etc.
7. Use a paper clip to check if the nozzles are clogged (siehe kleine Reparaturen selbstgemacht)

Cleaning and care

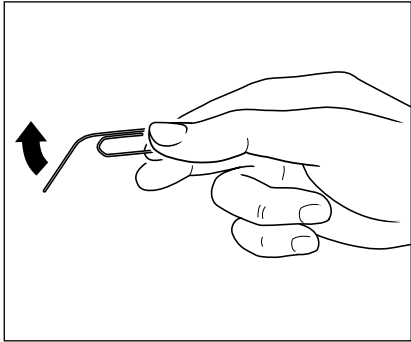
Put the Round Cleaner on to the floor in such a way that the splash protection brush cannot be deformed due to rough ground.

Problem

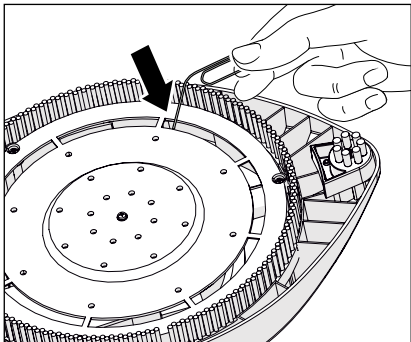
No water comes from the nozzle but the pressure gauge shows full pressure.

Cause

Most probably the nozzle is clogged.



Straighten a paper clip.



Clean the nozzle with the straightened paper clip.

Rinse the high-pressure hose.
And you can proceed with the high-pressure cleaning as before!

Warranty

Our warranty obligation is understood to exclusively cover material and manufacturing defects, wear is not covered by warranty.

The machine is to be operated in conformity with this Operating manual. The operating manual is deemed to be part of the warranty provisions. This warranty shall only apply on condition of proper use of original-Kraenzle component parts and original-Kraenzle replacement parts.

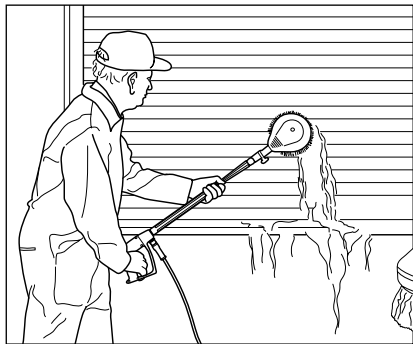
With regard to legal warranty claims, the limitation periods of the respective countries shall apply.

In the event of any warranty claims, please have your accessories and purchase voucher ready before contacting your local dealer or the nearest authorized customer service point, which you can also find in the internet under **www.kraenzle.com**.

The machine is designed for private purposes only; no warranty shall be provided in case of industrial use.

In case of any modifications on the safety installations or in case of exceeding the temperature and speed limit, any warranty claims shall become invalid - this shall also apply to use of wastewater as well as any other faulty or inappropriate operation of the machine.

Pressure gauge, nozzle, valves, sleeves, high pressure hose and spray equipment are wear parts and are not covered by the warranty obligation.



Rotating washing brush

- 210 mm
- Stainless steel extension
- Brush head Ø 180 mm
- Nozzle size 2,5 mm

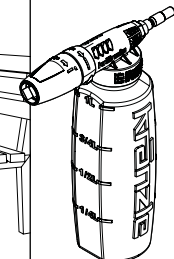
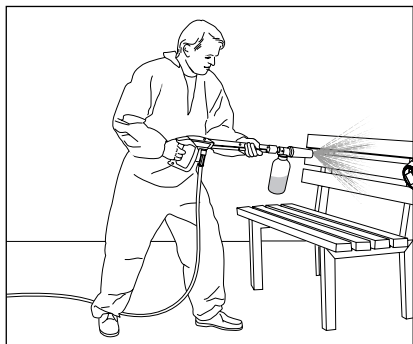
Art. no.: 12800



Splash guard

- L: 280 mm x W: 190 mm
- For all washing lances

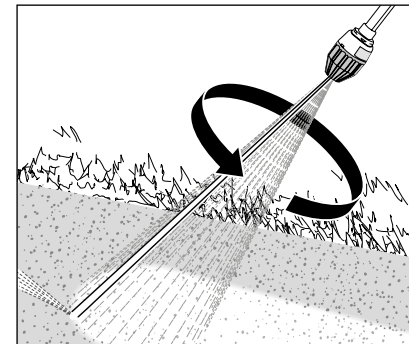
Art. no.: 132600



Foam lance

- with container

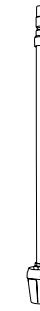
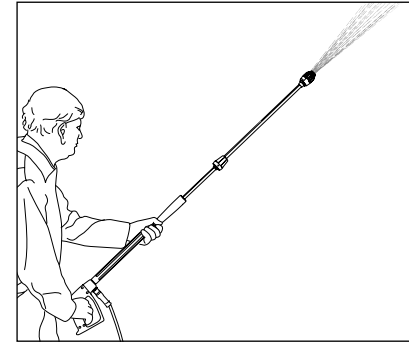
1 liter Art. no.: 135302
2 liters Art. no.: 135312



Dirtkiller lance

- 400 mm
- Nozzle system 028

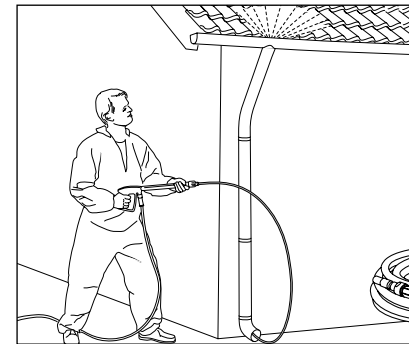
Art. no.: 42403-028



Lance extension

- 400 mm

Art. no.: 12870



Pipe cleaning hose

- 10 m length

Art. no.: 12850



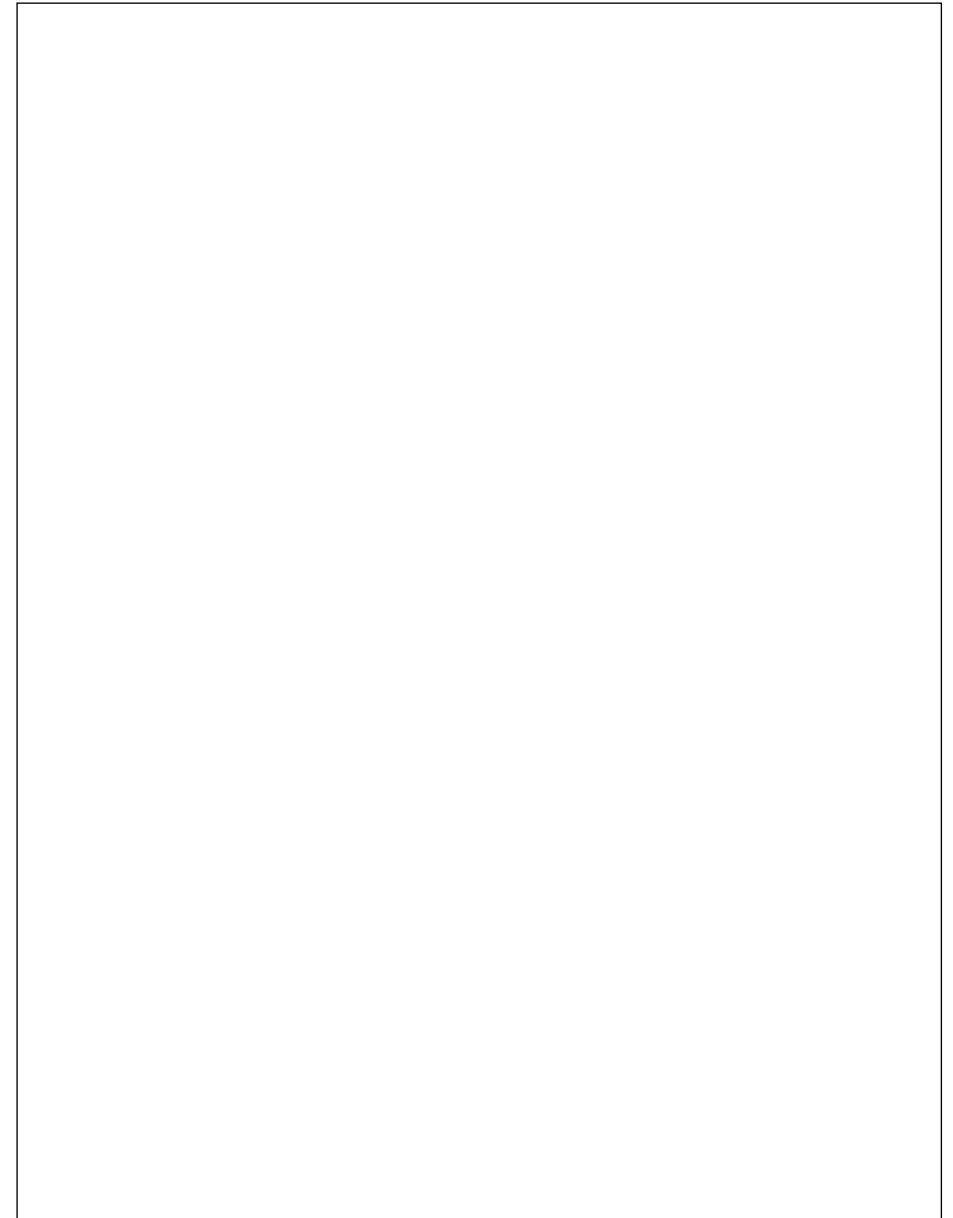
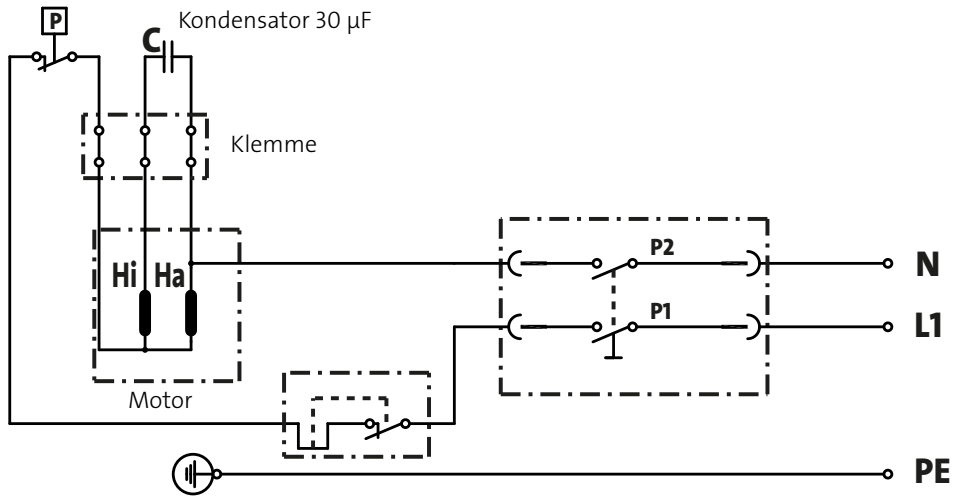
The high-pressure cleaner accessories are safety components!
Any warranty will be void if parts not authorised by Kränzle are used.

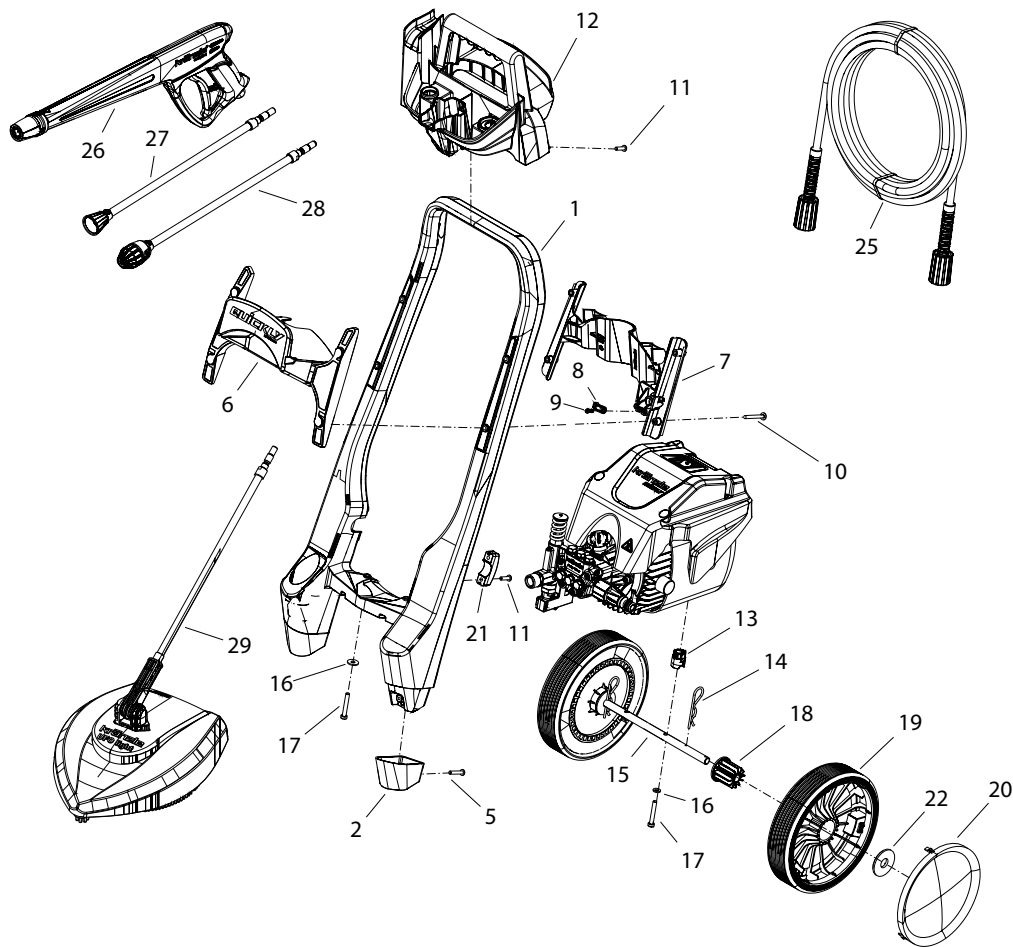


Please indicate the technical data of the high-pressure cleaner (device type) when placing your order.

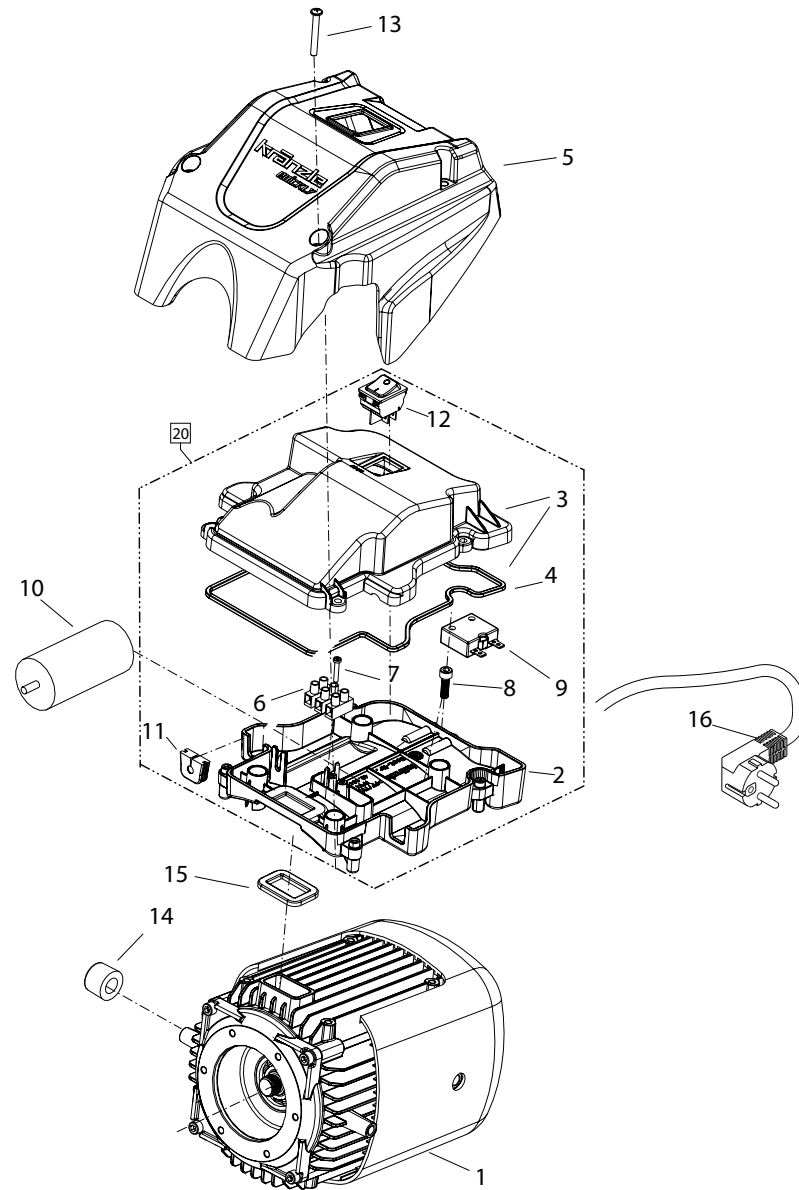
Schaltplan Quickly

230 V 1~/50 Hz

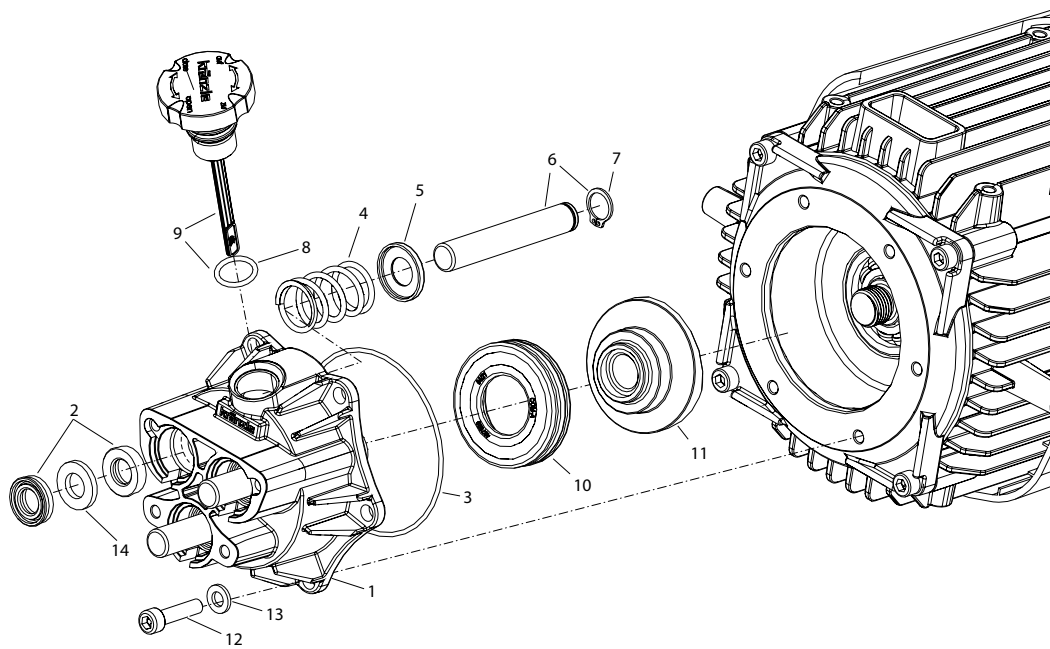




Position No	Bezeichnung Description	Stck. Qty.	Bestell-Nr. Item no.
1	Holm kpl.	1	497000
2	Standfuss links + rechts	1	497005
5	Kunststoffschraube 5,0 x 30	2	43418
6	Schlauchhalter	1	497007
7	Gegenhalter Schlauchhalterung	1	497008
8	Kabelklemme Netzanschlusskabel	1	43431
9	Kunststoffschraube 3,5 x 14	2	44525
10	Kunststoffschraube 5,0 x 65	4	414113
11	Kunststoffschraube 5,0 x 20	6	43018
12	Zubehörcorb	1	497014
13	Distanzstück Achse	2	497009
14	Federstecker 3mm	4	401151
15	Radachse	1	497067
16	Unterlegscheibe 6,4 DIN 125	4	50189
17	Innensechskantschraube M6 x 40	4	46025
18	Buchse Rad	2	497066
19	Rad Ø210 mm	2	44538
20	Radkappe für Rad 210mm	2	46011
21	Halteschelle Motorlager	2	497045
22	Unterlegscheibe Kunststoff 13mm x 37 x 3	2	497018
25	HD-Schlauch NW6 8m	1	497070
26	Pistole Starlet 4 D10	1	12520
27	Lanze mit Flachstrahldüse	1	12900-028
28	Lanze mit Schmutzkillerdüse	1	42403-028
29	Roundcleaner UFO light	1	41870



Position No	Bezeichnung Description	Stck. Qty.	Bestell-Nr. Item no.
1	Motor 230V / 50 Hz komplett ohne Elektrik	1	497040
2	Schaltkasten Unterteil	1	491041
3	Deckel Schaltkasten	1	49105
4	Dichtung für Deckel	1	49113
5	Haube Quickly	1	497065
6	Lüsterklemme 3-pol.	1	43326
7	Schraube 3,5 x 20	2	43415
8	Innensechskantschraube M6 x 20	4	420121
9	Überstromauslöser 1-polig 14 A	1	491250
10	Kondensator 30µF	1	497041
11	Kabeldurchführung	2	49115
12	Schalter EIN/AUS	1	491121
13	Kunststoffschraube 5,0 x 40	4	416101
14	Gummilagerung Motor	2	49285
15	Gummidichtung	1	49287
16	Netzanschlusskabel 5,5m 3x1,0mm ²	1	497042
20	Schaltkasten kpl. ohne Netzanschlusskabel, ohne Kondensator		497080



Oil change

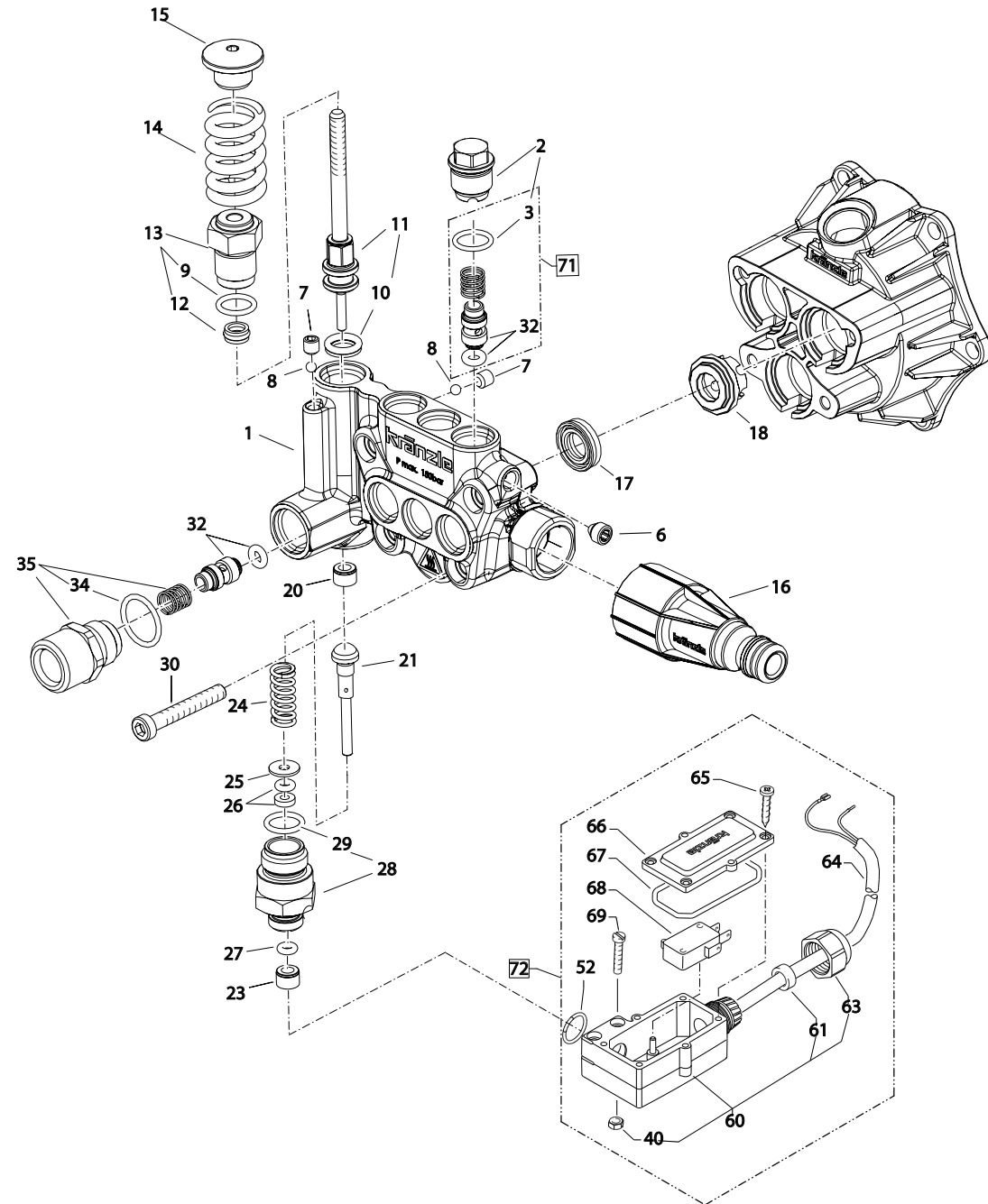
If oil needs to be changed during repair, the high-pressure cleaner must be turned 180 °C from a horizontal position so that the dipstick is pointing towards the ground. The oil is to be captured in a container and subsequently properly disposed of. Then screw oil plug back on again over a container. Use small funnel when refilling with fresh oil.

Fresh oil: 0.1 l - Kränzle Gear Oil or 15W-40

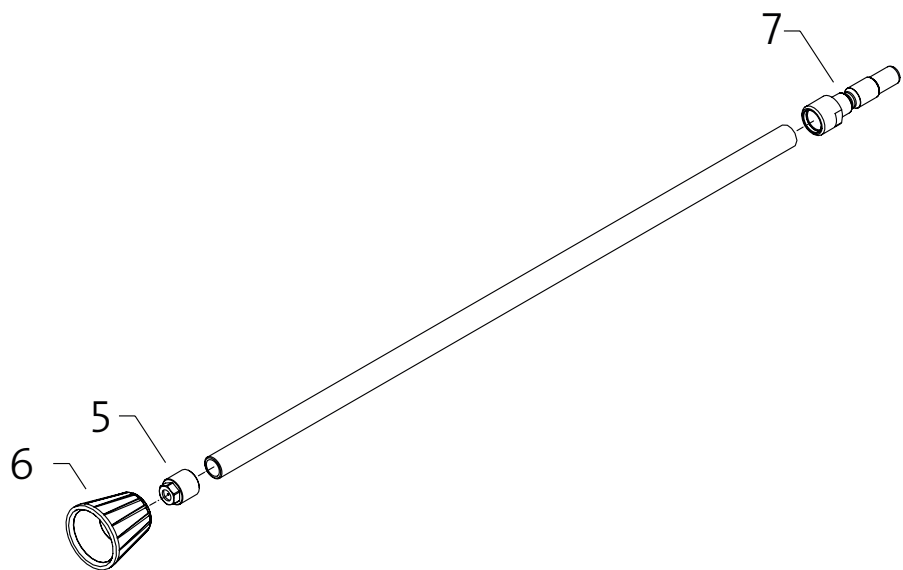
0,25 liter Kränzle Gear Oil (art. no.: 400931)

1 liter Kränzle Gear Oil (art. no.: 400932)

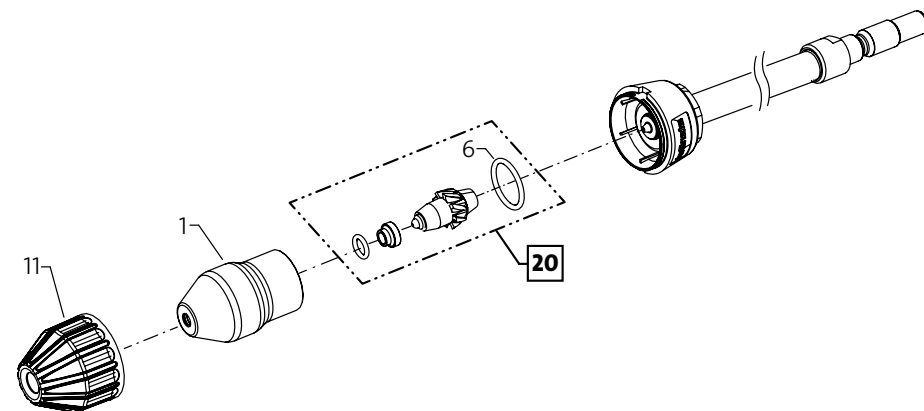
Position No	Bezeichnung Description	Stck. Qty.	Bestell-Nr. Item no.
1	Gehäuseplatte (inkl. Pos 2, Pos 3, Pos 14)	1	497030
2	Öldichtung 12 x 20 x 5	6	43081
3	O-Ring 75,92 x 1,78	1	492011
4	Plungerfeder	3	49203
5	Federdruckscheibe Ø12mm	3	49219
6	Plunger 12 mm AC mit Wellensicherungsring	3	49209
7	Wellensicherungsring Ø12mm	3	49230
8	O-Ring 14 x 2	1	43445
9	Ölmessstab	1	49009
10	Axial-Rillenkugellager 3-teilig	1	497020
11	Taumelscheibe 10,85°	1	497025-10,85
12	Innensechskantschraube M6 x 25	6	44234
13	Unterlegscheibe 6,4 DIN 125	6	50189
14	Backring 12 x 20 x 2,0	3	497061



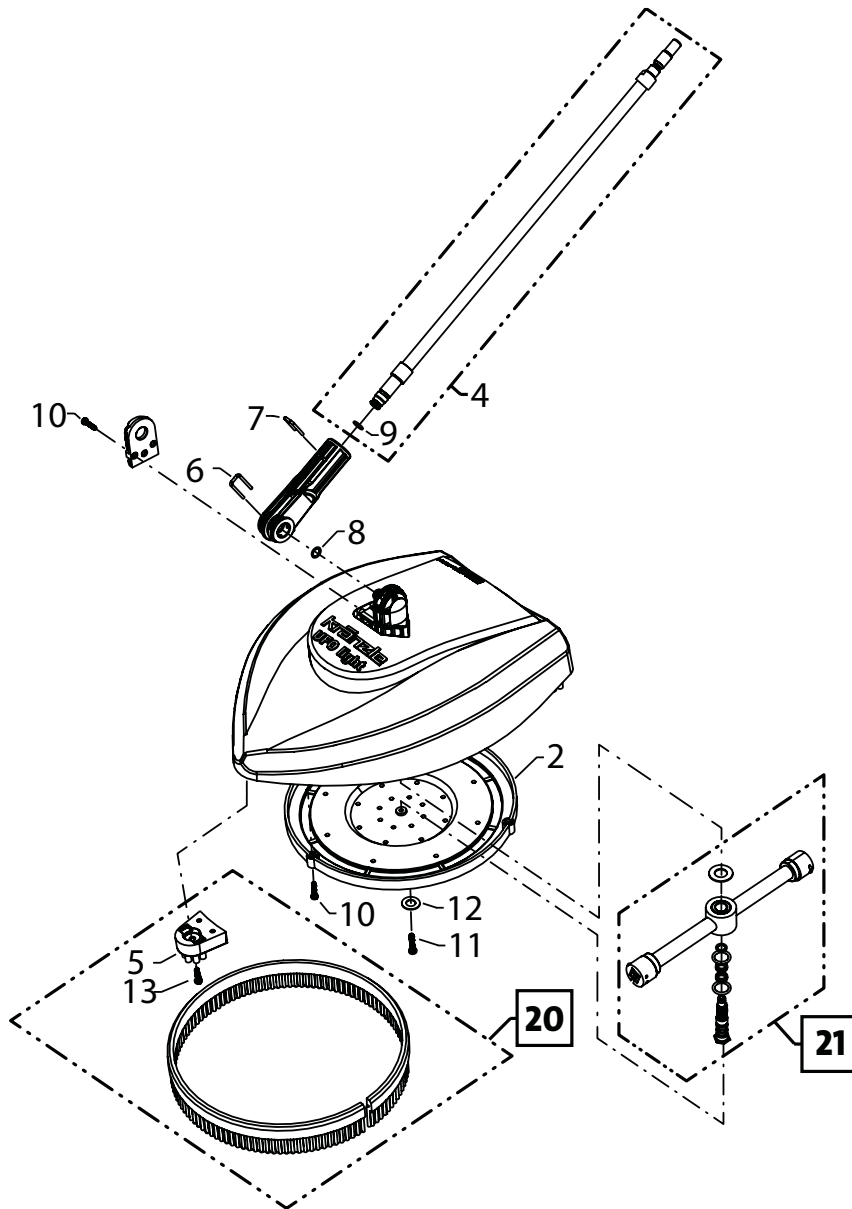
Position No	Bezeichnung Description	Stck. Qty.	Bestell-Nr. Item no.
1	Ventilgehäuse 12mm	1	497060
2	Ventilstopfen M16x1,5 AG	6	497013
3	O-Ring 12 x 1,5	6	43058
6	Dichtstopfen M8 x 1	1	13158
7	Gewindestift M6 x 6 DIN913-A2	2	497015
8	Kugel 4,0 mm DIN5401 Edelstahl	2	13472
9	O-Ring 12 x 2	1	150051
10	Parbaks für 14mm Bohrung	1	141231
11	Steuerkolben	1	497012
12	Parbaks für Spindel 6 mm	1	141232
13	Kolbenführung 6 mm	1	496024
14	Druckfeder grau	1	14124
15	Federdruckmutter	1	492430
16	Wasserfilter klarsicht mit Filter	1	13311
17	Hochdruckdichtung 12 x 20 x 5,2mm	3	49226
18	Distanzring 12 mm Quickly mit Abstüzung	3	497011
20	Messinghülse mit Teflonsitz	1	12127
21	Steuerkolben Motorabschaltung	1	497029
23	Stopfen M10x1 (durchgebohrt)	1	133851
24	Druckfeder 1,0 x 8,6 x 30	1	40520
25	Stützscheibe	1	150151
26	O-Ring 3,3 x 2,4 grün, inkl Parbak 3,56 x 2,18	1	121362
27	O-Ring 3,3 x 2,4	1	12136
28	Führungsteil Steuerstößel	1	497027
29	O-Ring 14 x 2	1	43445
30	Innensechskantschraube M6 x 40 DIN6912-8.8	4	46025
32	Ventilstößel / Rückschlagventil	7	497022
34	O-Ring 18 x 2	1	40016
35	Ausgangsstück M22 x 1,5 ohne Injektor	1	497016
40	Sechskant - Mutter M4	2	12138
52	O-Ring 13 x 2,6	1	15017
60	Gehäuse Elektroschalter	1	15204
61	Gummimanschette	1	15202
63	Überwurfmutter PG 11	1	15203
64	Kabel 2x 1,5 mm ²	1	150191
65	Blechschaube 2,9 x 19	6	15024
66	Deckel Elektroschalter	1	15201
67	O-Ring 44 x 2,5	1	15023
68	Mikroschalter	1	15018
69	Zylinderschraube M 4 x 22	2	15025
71	Rep-Satz Ventile	1	497051
72	Druckschalter kpl.	1	497035
73	Ventilgehäuse kpl. (Pos.1-Pos.35)	1	497059
74	Rep-Satz Manschetten (3x Pos 17)	1	497064



Position No	Bezeichnung Description	Stck. Qty.	Bestell-Nr. Item no.
5	Jet-Düse 028	1	26020-028
6	Düsenschutz Jet-Düse	1	26021
7	Nippel für Steckkupplung DN10; M 12 x 1 IG	1	13440



Position No	Bezeichnung Description	Stck. Qty.	Bestell-Nr. Item no.
1	Sprühkörper	1	41950
6	O-Ring 16 x 2	1	13150
11	Schutzkappe	1	41952
12	Kappe hinten für Schmutzkiller	1	41953
20	Reparatursatz Schmutzkiller 028	1	41955-028



Position No	Bezeichnung Description	Stck. Qty.	Bestell-Nr. Item no.
2	Schutzscheibe	1	13.860
4	Anschlussrohr	1	13.861 5
5	Bürstengleiter	3	13.816
6	Halteklammer Gelenk	1	13.862
7	Halteklammer Anschlussrohr	1	13.863
8	O-Ring 8 x 1,5	1	13.864
9	O-Ring 7,65 x 1,78	1	13.867
10	Schraube 3,9 x 13	6	41.078
11	Schraube M3 x 15	1	13.865
12	Scheibe ø3,2	1	12.252 1
13	Schraube 3,9 x 16	3	12.150
20	Reparatursatz Bürsten		13.870
21	Rotor komplett		13.871



Josef Kränzle GmbH & Co. KG

Rudolf-Diesel-Straße 20
89257 Illertissen (Germany)

sales@kraenzle.com

© Kranzle 18.07.2024 / Ord. no.: 306830 / Subject to technical modifications and errors.

■ **Made**
■ **in**
■ **Germany**