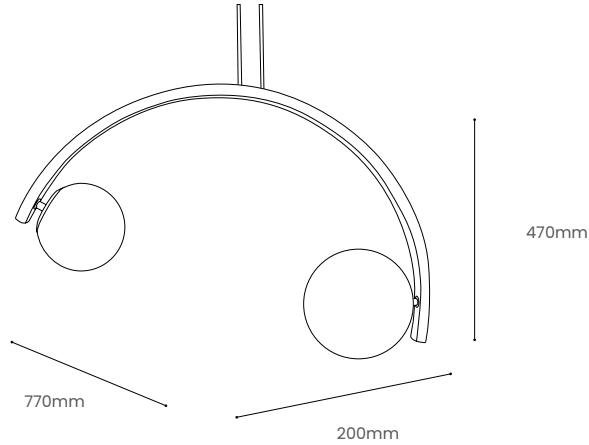


# LOER CRESCENT PENDANT

## Product Specification

Tom Raffield



Loer Crescent Pendant



Inspired by the elliptical orbits of the planets and moons that line the inner edges of our vast solar system, the Loer Lighting Range brings weightless illumination to any space it reaches. Combining a beautiful translucent glass sphere, sustainable steam bent ash wood and brushed metallic brass, the Loer showcases minimal, nature-inspired design at its finest.

Meaning 'Moon' in Cornish, the Loer Crescent Pendant showcases clouded bands of warm celestial white light, suspended upon a sleek arc of supple ash wood. Soaring at varying heights, two translucent glass orbs are held in place by brass detailed fixings that reflect the soft illustrious glow of the spherical globes when illuminated. This statement, wooden ceiling pendant is thoughtfully crafted to create the perfect balance, and its unique design looks equally eye-catching when switched off.

Illuminate space. Seek the extraordinary.

Product Type : Pendant	SKU	Wood types	Dimensions L x W x H (mm)		Weight (kg)	
			Unboxed	Boxed	Unboxed	Boxed
Loer Crescent Pendant	TR-LOER-CRES-P-A	Ash	770 x 200 x 470	One 820 x 600 x 65 Two 457 x 457 x 305	1.7	One 2.25 Two 3.9
Materials	Ash		Other materials			
Finish	Non-toxic, hard wearing water based varnish - satin					
Ceiling kit options	Brushed brass ceiling rose and bulb holder		Ceiling kit Ceiling rose: Ø100mm E27 (240v)	Flex Flex colour: gold Flex length: 2m (Adjustable)	Recommended light bulb Max 9.5W LED	
Care information	Dusting your light regularly and with a light feather duster should keep your light looking clean, otherwise wipe with a damp cloth and remove any moisture with a dry cloth. Gentle furniture polishes can also be used.					
Additional information	<ul style="list-style-type: none"> <li>Suitable for use on 240v circuits.</li> <li>Installation instructions included.</li> </ul>					