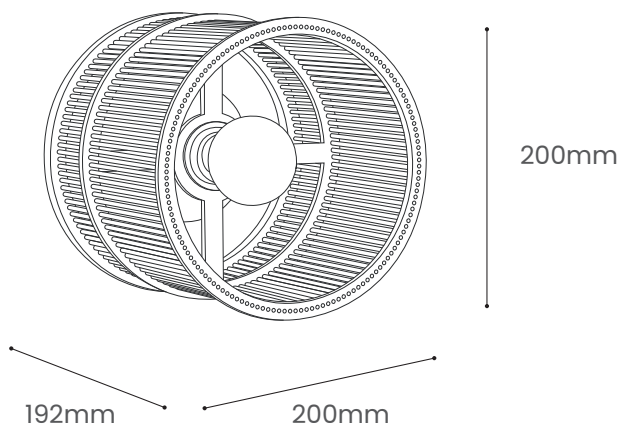


ARTUS WALL LIGHT

Product Specification

Tom Raffield

Artus Wall Light



A fine birch dowel cage contains its blown-glass bulb within. Daring yet delicate, the Artus Lighting Range diffracts a mesmerising pattern of shadows, dramatising your space.

Ethereal dowels are slotted into a complex birch plywood frame that shrouds an exposed filament bulb. Intricately placed, each illuminated pillar distributes kaleidoscopic, vertical shadows that delights the eye of the beholder. Handcrafted from sustainably sourced wood, this wooden wall light provides eccentric beauty to any bedroom, hallway, or living space alike.

Illuminate. Delight. Draw the eye.

Product Type : Wall Light	SKU	Wood types	Dimensions L x W x H (mm)		Weight (kg)	
			Unboxed	Boxed	Unboxed	Boxed
Artus Wall Light	TR-ART-WL-B	Birch	200 x 200 x 192	260 x 260 x 260	0.2	1.2
Materials	Birch				Other materials	
					-	
Wall kit options	Brushed steel rose and bulb holder	Rose: Ø100mm E27 (240v)	Brushed brass rose and bulb holder	Rose: Ø100mm E27 (240v)	Recommended light bulb	
					Max 25W LED	
Care information	Dusting your light regularly and with a light feather duster should keep your light looking clean, otherwise wipe with a damp cloth and remove any moisture with a dry cloth. Gentle furniture polishes can also be used.					
Additional information	<ul style="list-style-type: none"> Suitable for use on 240v circuits. Installation instructions and fixings included. This product must be installed by a qualified electrician. 					