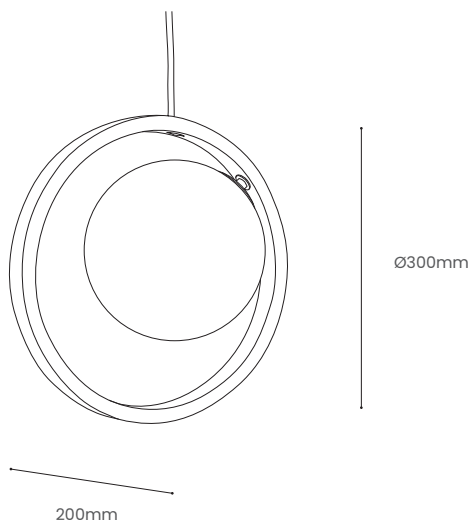


NOCTIS LOER PENDANT

Product Specification

Tom Raffield




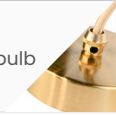

Noctis Loer Pendant



Bold, ebonised design and our sought-after wooden aesthetic, merged. Combining beautiful translucent glass, sustainable steam bent wood and brushed metallic brass, the Noctis Loer Lighting Range showcases minimal, nature-inspired design at its finest.

Modern. Refined. Enticing. Our Noctis Loer Pendant puts the lustre back in illumination and brings sophistication into any space. The modern pendant design showcases a translucent glass orb with clouded bands of warm celestial white light which suspends within a sleek halo of supple wood. Held in place by brass detailed fixings that reflect the soft illustrious glow of the spherical globe when illuminated, the opulent Noctis Loer Pendant looks equally as eye-catching when switched off. This contemporary wooden globe light is suited to an array of interiors and property styles and looks particularly striking suspended in self-curated clusters.

Illuminate space. Seek the extraordinary.

Product Type : Pendant Light	SKU	Wood types	Dimensions L x W x H (mm)		Weight (kg)	
			Unboxed	Boxed	Unboxed	Boxed
Noctis Loer Pendant	TR-NCT-LOER-P	Ebonised Wood	Ø300 x 200	265 x 265 x 265	1.17	3.2
Materials	Ebonised Wood 				Other materials Glass diffuser  Brass bulb holder 	
Finish	Non-toxic, hard wearing water based varnish - satin					
Ceiling kit options	Brushed brass ceiling rose and bulb holder 	Ceiling kit Ceiling rose: Ø100mm E27 (240v)	Flex Flex colour: gold  Flex length: 1.8m (Adjustable)	Recommended light bulb Max 9.5W LED		
Care information	Dusting your light regularly and with a light feather duster should keep your light looking clean, otherwise wipe with a damp cloth and remove any moisture with a dry cloth. Gentle furniture polishes can also be used.					
Additional information	<ul style="list-style-type: none"> Suitable for use on 240v circuits. Installation instructions included. 					