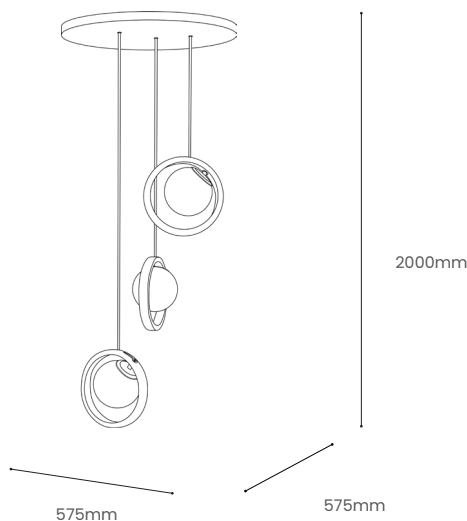


# NOCTIS LOER PENDANT SMALL – TRIO CLUSTER

Tom Raffield

## Product Specification

Noctis Loer Pendant Small – Trio Cluster








Bold, ebonised design and our sought-after wooden aesthetic, merged. Combining beautiful translucent glass, sustainable steam bent wood and brushed metallic brass, the Noctis Loer Lighting Range showcases minimal, nature-inspired design at its finest.

Modern. Refined. Enticing. Meaning ‘Moon’ in Cornish, the Loer showcases a translucent glass orb with clouded bands of warm celestial white light which suspends within a sleek halo of supple ash wood. Three Noctis Loer Pendant Small, each held in place by brass detailed fixings, reflect the soft illustrious glow of the spherical globe when illuminated. This statement wooden cluster light is well suited to making a grand entranceway, or as a delightful dining room light.

Designed to ignite your creative flair, our Cluster Lighting Range invites you to make your own mark and curate a truly unique, statement lighting piece tailored to suit your space.

Illuminate space. Seek the extraordinary.

Product Type : Pendant Cluster	SKU	Wood types	Dimensions L x W x H (mm)		Weight (kg)	
			Unboxed	Boxed	Unboxed	Boxed
Noctis Loer Pendant Small – Trio Cluster	TR-NCT-LOER-P-SML-CLS	Ebonised Wood	≈575 x 575 x 2000	450 x 450 x 450	4.2	6.25
Materials	Ebonised Wood 				Other materials Glass diffuser  Brass bulb holder 	
Finish	Non-toxic, hard wearing water based varnish – satin					
Ceiling kit options	Brushed brass ceiling plate, bulb holder and cord grips. 	Ceiling kit Ceiling plate: Ø300mm E27 (240v)	Flex Flex colour: gold  Flex length: 2m (Adjustable)	Recommended light bulb Max 9.5W LED		
Care information	Dusting your light regularly and with a light feather duster should keep your light looking clean, otherwise wipe with a damp cloth and remove any moisture with a dry cloth. Gentle furniture polishes can also be used.					
Additional information	<ul style="list-style-type: none"> <li>Suitable for use on 240v circuits.</li> <li>Installation instructions included.</li> </ul>					