

Height: 14.7" Width: 9.1" Depth: 11.9"
(37.3cm) (23.1cm) (30.2cm)

- Vacuum insulated to keep coffee hot for hours
- Brew-through design with flip lid cover
- Soft-grip bail handle for easy transportation
- Integrated sight gauge assembly allows for easy cleaning
- Sturdy aluminum faucet guard keeps faucet area clean and protected
- Fast flow faucet
- Ideal for use with Twin or Single Infusion Series Brewers



Agency:

Specifications

Product #: 44050.6250

Lid Color: Black

Handle: Bail Handle

Liner: Stainless Steel

Dispense: Lever Action

Additional Features

Holding Capacity

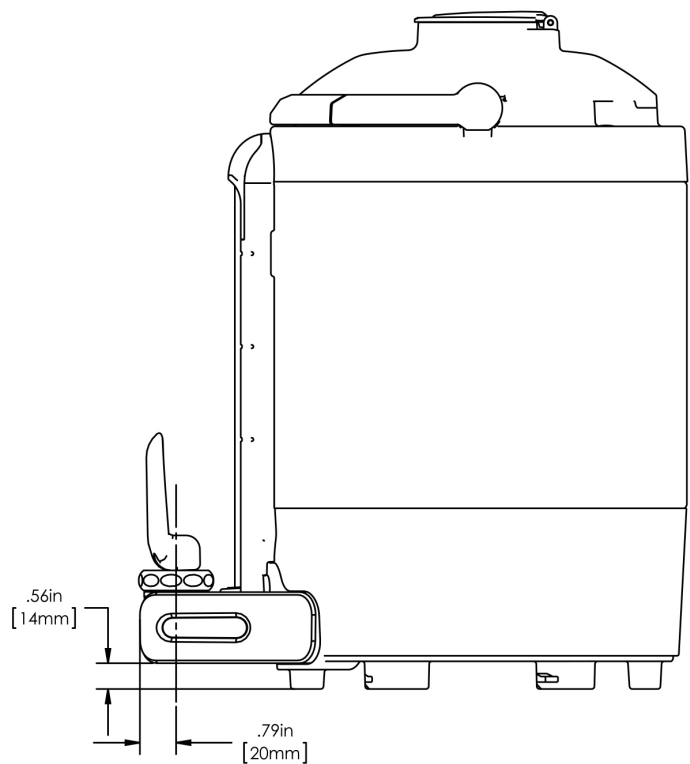
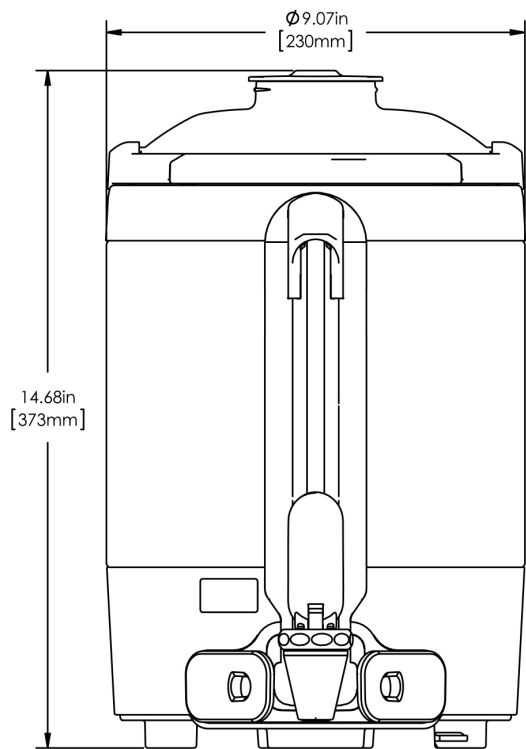
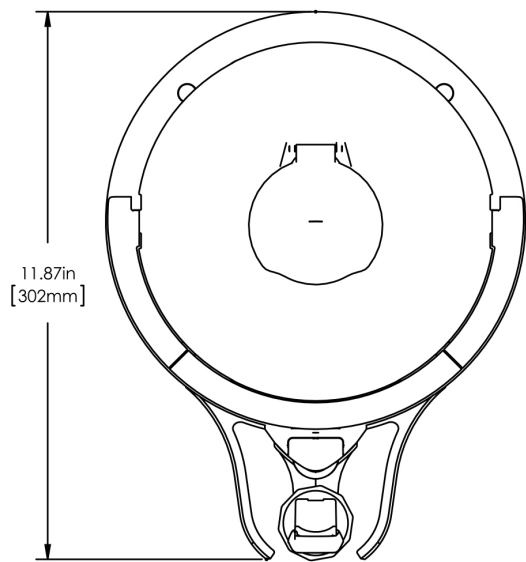
English	Metric
192 oz.	5.7 L

WARNING:



BUNN® reserves the right to change specifications and product design without notice. Such revisions do not entitle the buyer to corresponding changes, improvements, additions or replacements for previously purchased equipment. For most current specifications and other info visit bunn.com.

Last Updated:
01/26/2022



	Unit			Shipping				
	Height	Width	Depth	Height	Width	Depth	Weight	Volume
English	14.7 in.	9.1 in.	11.9 in.	-	-	-	-	-
Metric	37.3 cm	23.1 cm	30.2 cm	-	-	-	-	-



BUNN® reserves the right to change specifications and product design without notice. Such revisions do not entitle the buyer to corresponding changes, improvements, additions or replacements for previously purchased equipment. For most current specifications and other info visit bunn.com.

Last Updated:
01/26/2022

Related Products & Accessories:(44050.6250)

HANDLE, FAUCET 3.0
SHORT ORANGE

Product #: 51315.0003

HOLDER, SIGN TF-
SERVER

Product #: 53683.0004



STAND ASSY KIT, TF
SERVER

Product #: 54473.1000



BUNN® reserves the right to change specifications and product design without notice. Such revisions do not entitle the buyer to corresponding changes, improvements, additions or replacements for previously purchased equipment. For most current specifications and other info visit bunn.com.

Last Updated:
01/26/2022

Model Compatibility:(44050.6250)

Serving and Holding selections are currently unavailable. Please contact your sales representative to find out more information.



BUNN® reserves the right to change specifications and product design without notice. Such revisions do not entitle the buyer to corresponding changes, improvements, additions or replacements for previously purchased equipment. For most current specifications and other info visit bunn.com.

Last Updated:
01/26/2022