

M @MASSPRODUCTIONS

M GRIDLOCK
AI-0200

M MASSPRODUCTIONS.SE

M ASSEMBLY INSTRUCTIONS

M MASSPRODUCTIONS

M MASSPRODUCTIONS



Recommended 1-2 people are required to assemble this shelf

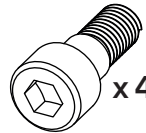


Components included can cause a potential choking hazard



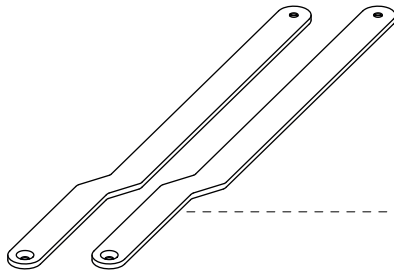
Questions? Contact info@massproductions.se

Included shelf components:

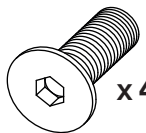


x 4 (+ spare) ----- M4 shelf screws

Included desk components:



----- Desk supports



x 4 ----- Countersunk M4 screws

9

USE & CLEANING



Clean surfaces with a neutral detergent, a clean microfibre cloth and lukewarm water.

Wipe surface dry with a separate dry, clean microfibre cloth.

CAUTION!

Do not climb on the shelf.
Do not sit on the desk.

Recommended max weight load on shelves and desk:
10 kg.

Avoid bleach, ammonia, solvents and abrasive pastes on the surfaces.

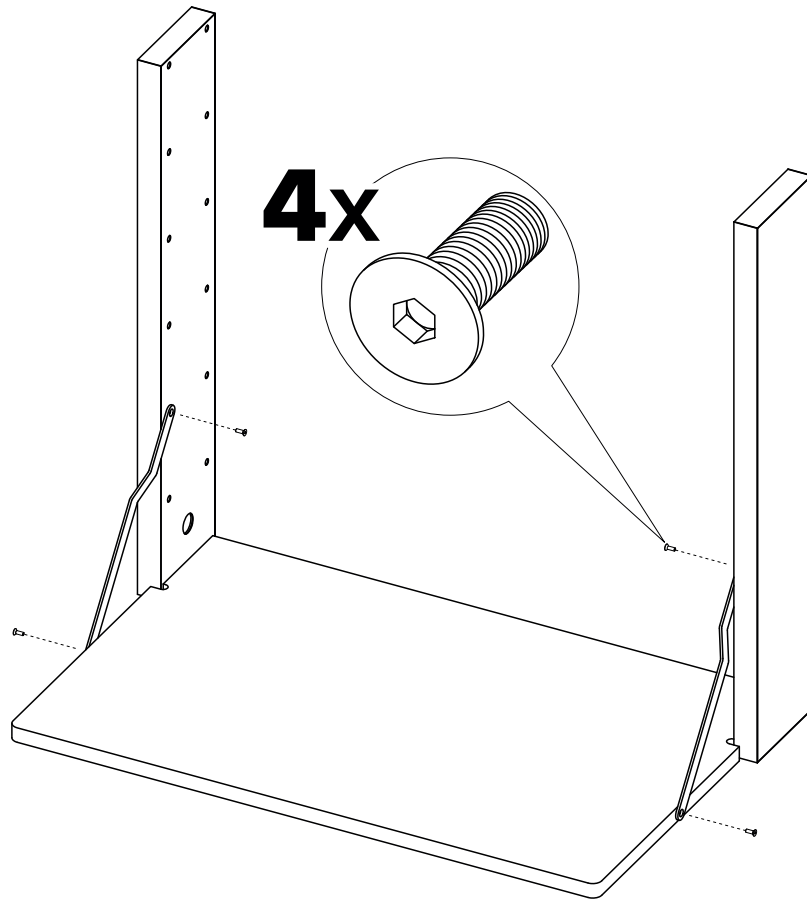
Enjoy your new Massproductions shelf!

8

The desk is mounted in the same way as a shelf but it requires 2 additional supports (included).

Begin by mounting the desk, then attach the desk supports by first screwing them on to the desk using the included countersunk M4 screws.

Then align the supports to the corresponding threaded inserts on the vertical panels and secure them with the screws.

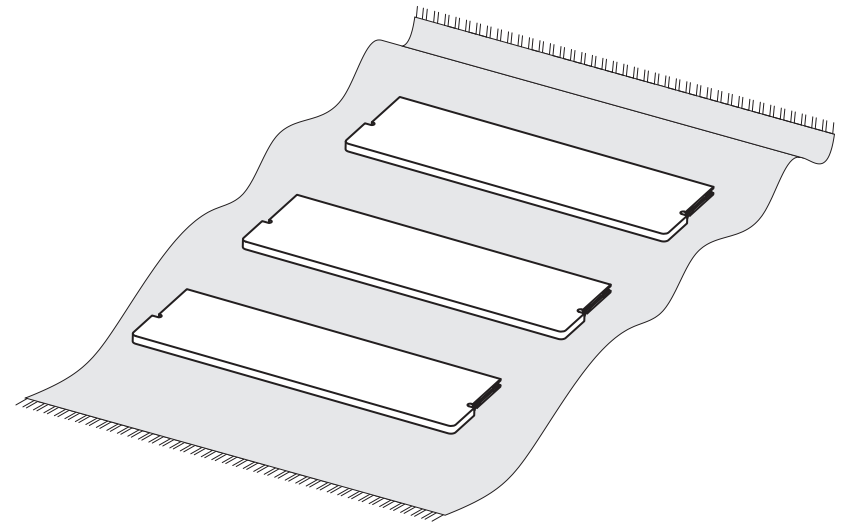


M

1

Unpack the included components and place them on a soft clean surface to avoid scratches.

The included screws are located in one of the corners of the box.



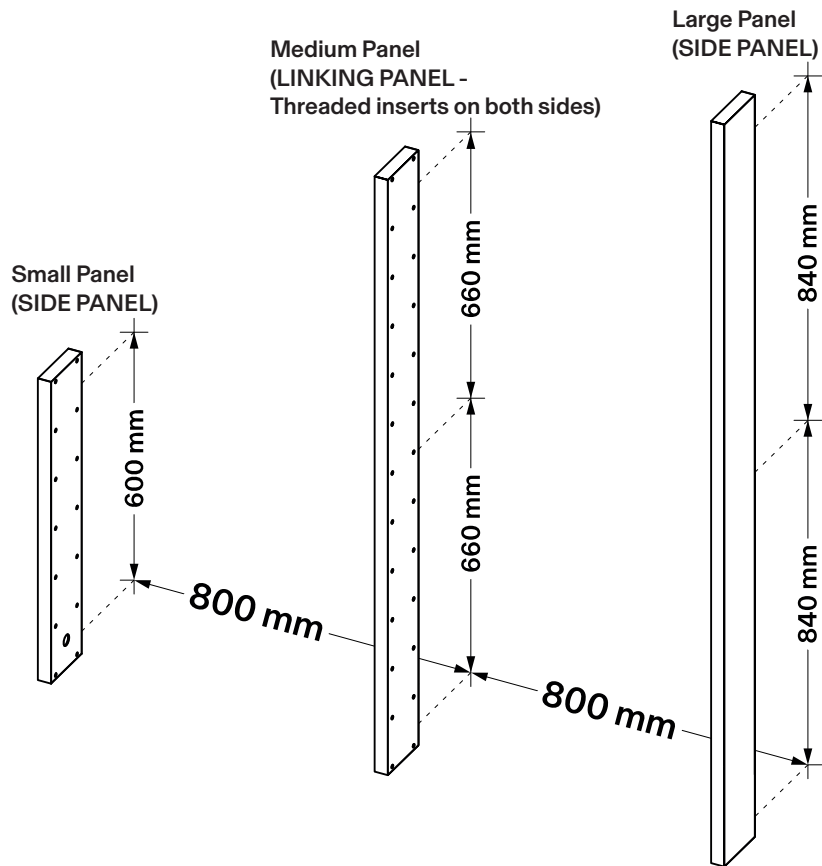
M

2

Mark the positions for the screws on the wall.
The horizontal distance between each vertical panel should be 800 mm.

Please note the vertical distance between screws varies according to panel size.

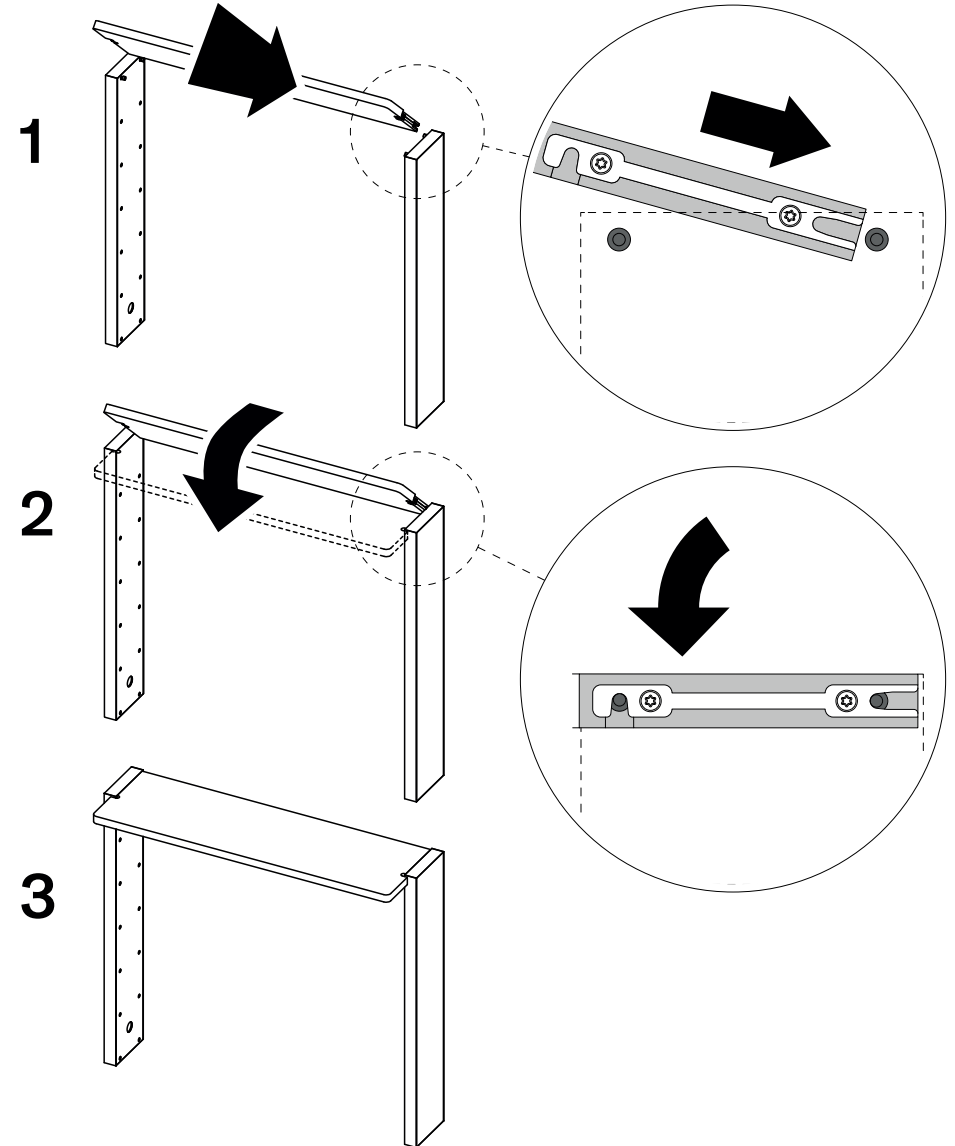
The configuration below shows the required measurements between the screws to mount the different panel sizes.



M

7

Lock in a shelf by first inserting it into the inner screws on the vertical panels. Take caution not to scratch any surfaces as it could be a tight fit
Then, lower it down onto the outer screws to click into place.

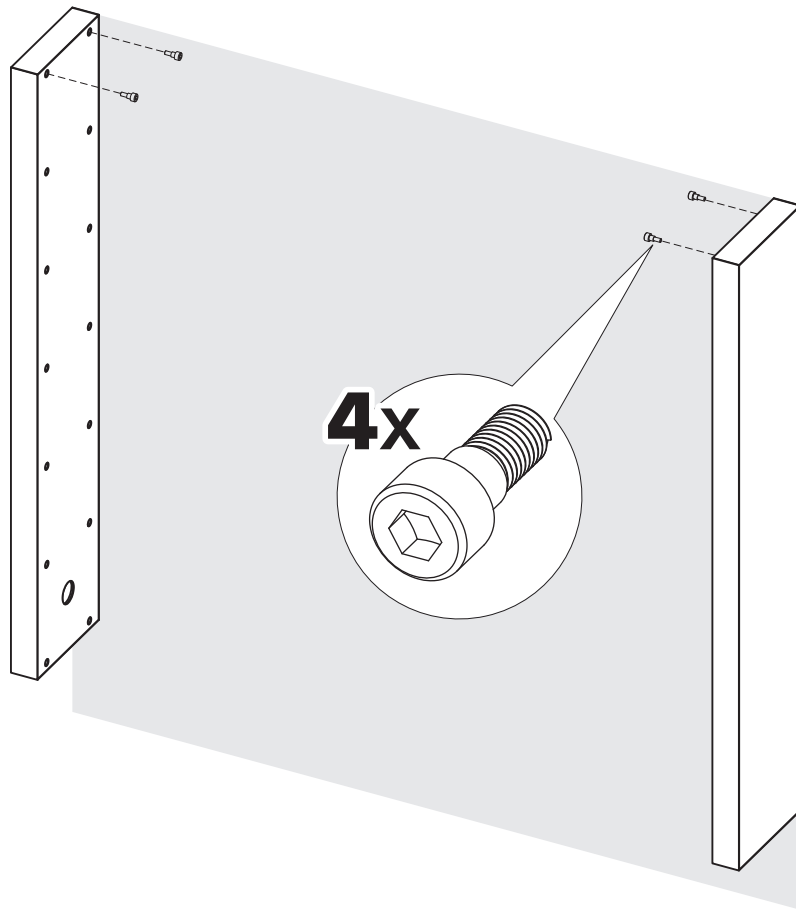


M

6

Attach the included M4 screws into the threaded inserts where you want your shelves to be placed.

There should be 4 screws per shelf, 2 on each side.

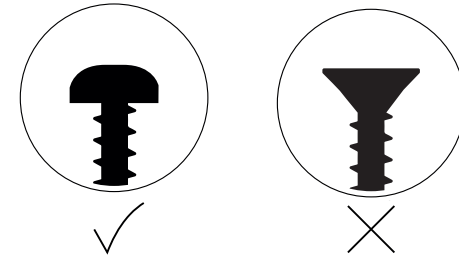


M

3

NOTE !

The screws required for mounting the vertical panels need to have a rounded or domed head that fits the keyhole hangers.



NOTE !

Make sure to select the appropriate screws for your type of wall (concrete, bricks, gypsum plasterboard, fibreboard, wooden panels...).

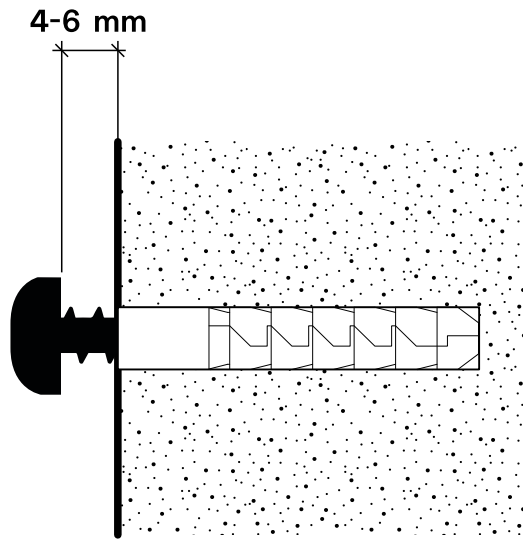
Attach the screws using appropriate methods, some walls will require using rawlplugs.

M

4

Attach the screws to the wall in the marked positions.

Make sure that the screw head protrudes from the wall as shown below:

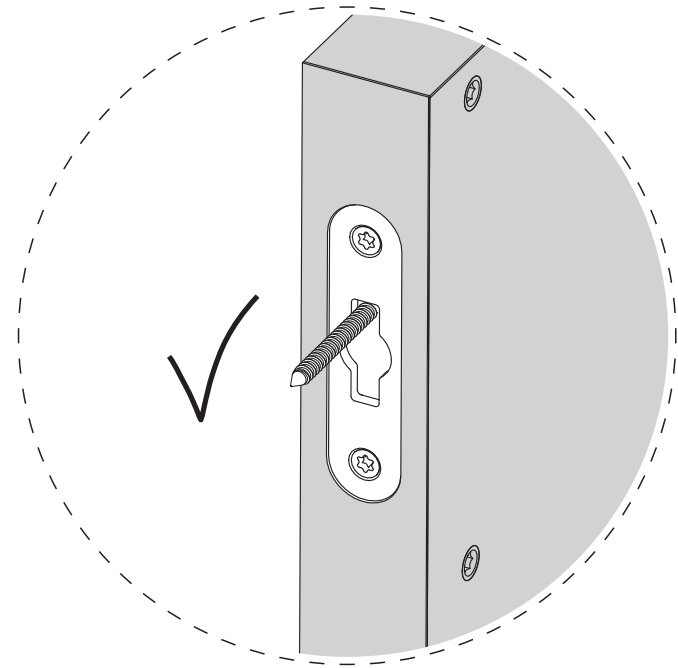


Depending on how straight your wall is, this gap can be adjusted

M

5

Mount the vertical panels by hanging them on the screws with the keyhole hangers.



M