



ro'

COLLECTION
DENMARK

SALON FIXED TABLE

USER GUIDE

ro'

C O L L E C T I O N

D E N M A R K

QUALITY

Long-lasting products and natural materials

ORIGINALITY

Genuine Danish design

CRAFTSMANSHIP

We prioritize European craftsmen and artisans

Congratulations on your new piece of furniture

At Ro Collection, we work to contribute to the renewal of the Danish design tradition, together with a new generation of designers and craftsmen.

We work with nature's own materials and strive for the timeless rather than time specific, in contrast to the fast and constantly changing world we live in.

We create furniture and objects that can last for many years to come - maybe even across generations.

We hope you will enjoy your new piece of furniture and greatly appreciate your choosing of Ro Collection.

Visit us at rocollection.dk and experience our collections of furniture and home accessories.

INDEX

<u>INTRODUCTION TO YOUR NEW FURNITURE</u>	5
<u>ASSEMBLY</u>	6
<u>MAINTENANCE GUIDE</u>	8

INTRODUCTION TO YOUR TABLE

You have invested in a piece of furniture made of solid wood and with the right care and maintenance can be preserved for generations.

Wood is a natural material that changes over time and adapts to humidity, sunlight and the change of seasons.

The furniture is surface-treated when you receive it, but we recommend that you after a few days of acclimatisation finish with a new surface treatment. In order to maintain the furniture over time, we recommend that it be cared for as needed.

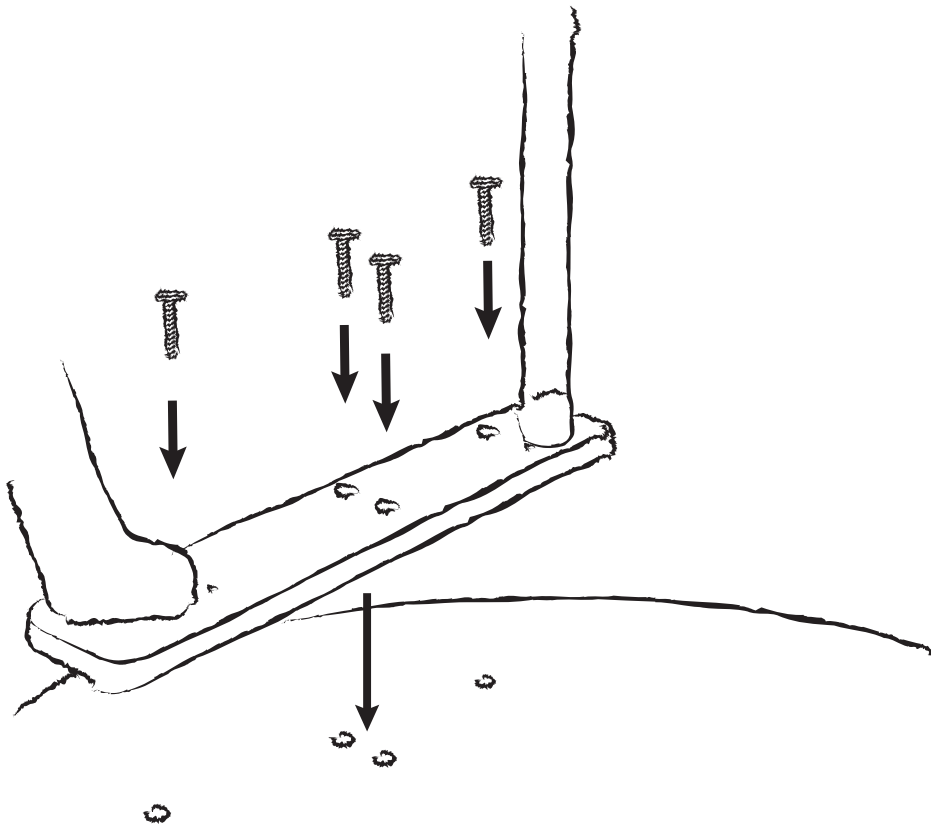
IMPORTANT KNOWLEDGE ABOUT WOOD:

- On receipt and 14 days ahead, we recommend that you avoid leaving objects in the same place on the furniture. Sunlight will patina the area around these and leave a mark.
- Always use a coaster when placing hot objects on your furniture.
- If you place vases containing water on your furniture, we recommend that you use a coaster to avoid marks.
- Do not use chemical cleaners or bleach unless you are sure they can be used on solid wood.
- Remember that direct exposure to sunlight accelerates the patination of wood and increases the need for maintenance
- Be careful about placing your wooden furniture next to a direct heat source. Wood exposed to prolonged direct exposure to radiant heat will dry out and cracks may occur.

For centuries, wood has been the preferred material of many cultures for the making of furniture. Wood as a material is very forgiving. It is easy to restore it to its original condition and repair damage or wear. This is why we also value wood as the primary material in our designs at Ro Collection.

ASSEMBLY

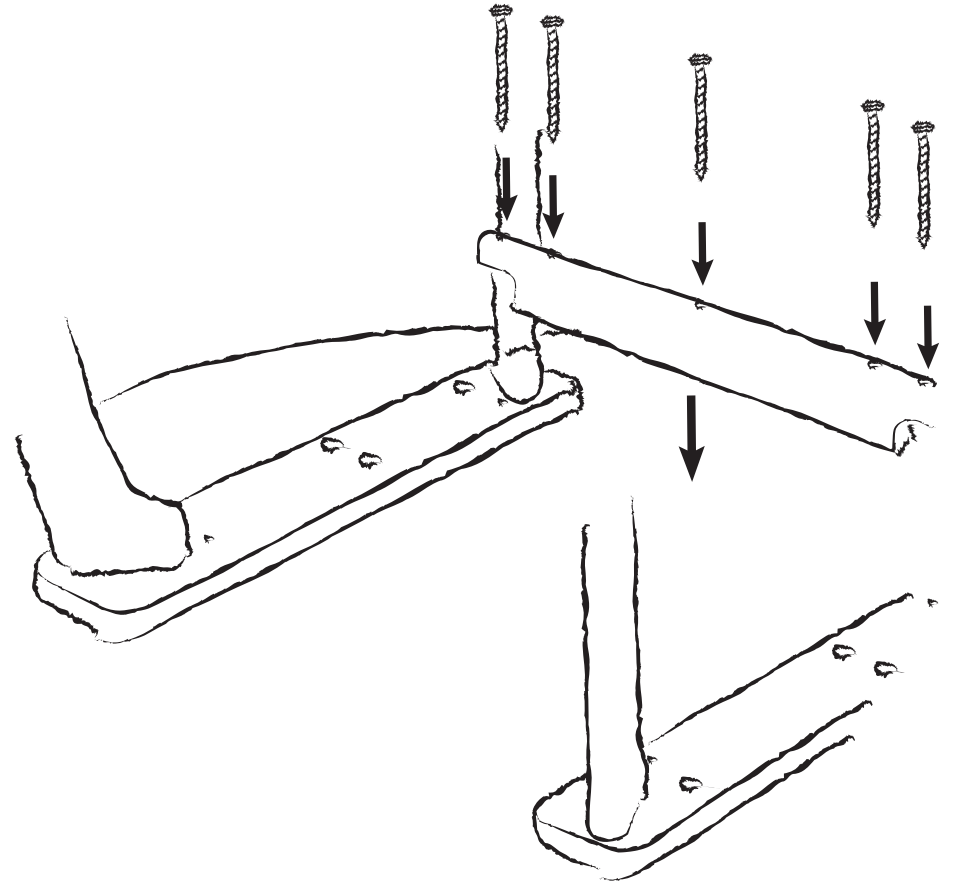
The table is assembled by mounting the leg ends first. 8 machine screws are also included, which are screwed in loosely with an Allen key.



6

After this, the slats are placed between the leg ends and the end screws, which pass through both the leg end and the slat, are inserted without screwing them in.

The leg gables are then tightened with an Allen key, after which the edges are mounted with the included self-tapping screws. Remember to tighten as needed.



7

MAINTENANCE GUIDE

OIL-TREATED SURFACES

For daily cleaning of oil-treated surfaces use a hard-wrung cloth with warm water. On a dirtier surface use a ph-neutral soap - again using a hard-wrung cloth. Always wipe afterwards with a dry cloth.

For maintenance and surface treatment, a high-quality furniture oil is used to protect the surface and avoid drying out.

Always follow the instructions that come with your oil. Always clean the surface of the furniture before starting the treatment.

Apply the oil to a cloth or sponge and distribute the oil along the grain of the wood. Let it sit for 10 minutes and wipe the entire surface with a lint-free cloth until it looks smooth. The treatment is repeated 1-2 times a year or as needed.

Be sure to comply with the drying time written on the product and never pour the oil directly onto the surface. Always wipe off any excess product within 60 minutes of application, as it may otherwise leave marks.

Warning: cloths with leftover oil can spontaneously combust. After use, destroy the cloth by rinsing it in cold water and placing it in an airtight container or a sealed plastic bag.

MAINTENANCE OF SMOKED OAK

General maintenance takes place according to the same method as with other oil-treated surfaces. If your furniture has damage/traces of wear that penetrate the smoky (dark) surface, these can be repaired by treating the entire surface with a smoked oil.

SOAPED OAK

Soap treatment gives wood a stain-resistant surface that helps prevent spills and stains from soaking in. However, if moisture is left on the surface for a long time, it will leave marks.

For daily cleaning, wipe the surface with a hard-wrung cloth. When cleaning stubborn stains, add ¼ dl soap shavings to 3 liters of water. As an extension of the daily cleaning, soap-treated wood should be treated 1-2 times a year or when necessary according to the instructions below.

In order to maintain your soap-treated wooden furniture, it is essential only to use natural/white soap shavings or a pre-mixed product. To maintain the best result, you should dissolve the soap shavings in boiled water, stir carefully and then let it cool down to room temperature. Use ¼ dl of soap shavings for 1 liter of water. Dip a clean, soft sponge into what is left of the soapy water and wipe all surfaces in the direction of the grain. Afterwards, wipe all surfaces with a soft, dry cloth. Let the wooden furniture dry for approx. 2 hours before it is put to use. During treatments with soapy water, the wood's fibers can rise. Lightly sand with a sanding sponge in grit 240 - always sand in the direction of the grain.