

Furrion Standard Air Distribution Box with Manual Control

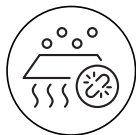


Cool, Calm and Collected

Designed for RV campers and travel trailers with a roof thickness of 3-6" and roof opening of 14", the Furrion air distribution box, (ADB) with manual control is compatible with the Furrion Chill air conditioning system.



Three fan speeds



Detachable filter

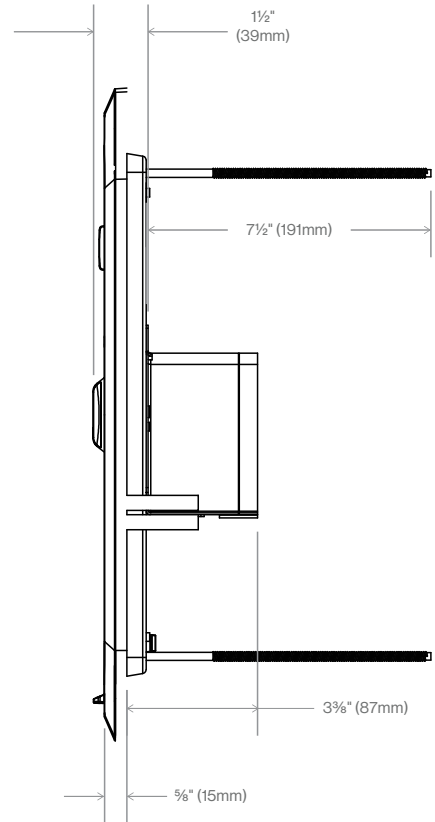
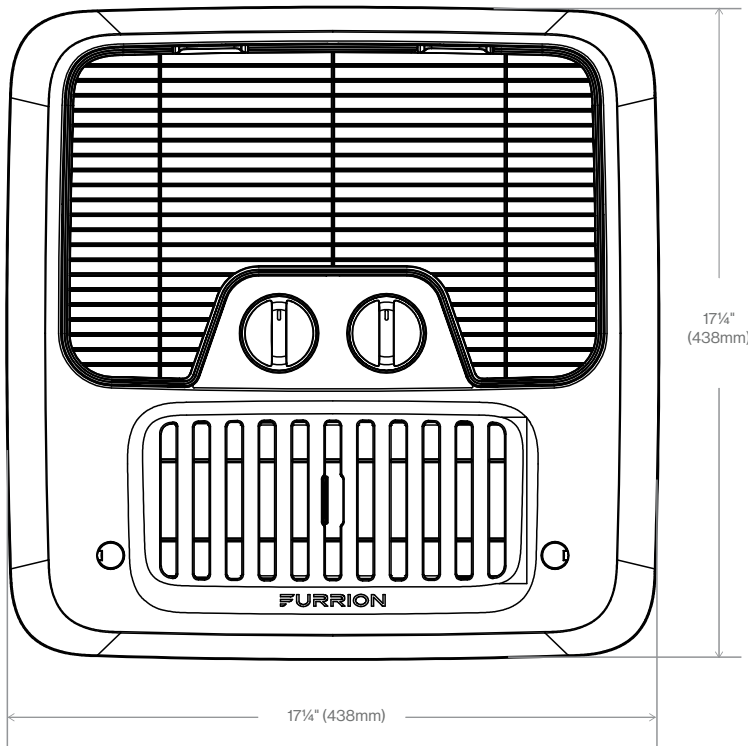


Easy Installation

Features

- Temperature control
- Compatible with ducted and non-ducted systems
- Use with a rooftop AC system
- Compatible with optional heat strip
- For 3-6" roof thickness and 14" roof opening
- Two-way airflow

Furrion Standard Air Distribution Box with Manual Control (FACT11CA-PS)



Specifications

Mechanical Control	8 positions
Fast Cool	√
Indoor Sound Pressure Level	60dB
Operating Temperature Range	0°F to 122°F / -17°C to 50°C
Voltage	AC 115V
Frequency for AC	60Hz (AC)
Compatible with	Rooftop AC Unit Heat Strip

Dimensions and Weight

Product Dimension (WxHxD)	17 1/4 x 4 3/8 x 17 1/4" (438 x 112 x 438mm)
Packaging Dimension (LxWxH)	18 1/4 x 5 3/8 x 18" (463 x 138 x 458mm)
Net Weight (lbs/kg)	5.3lbs/2.4kg
Gross Weight (lbs/kg)	6.6lbs/3.0kg

* Note: "√"=Equipped