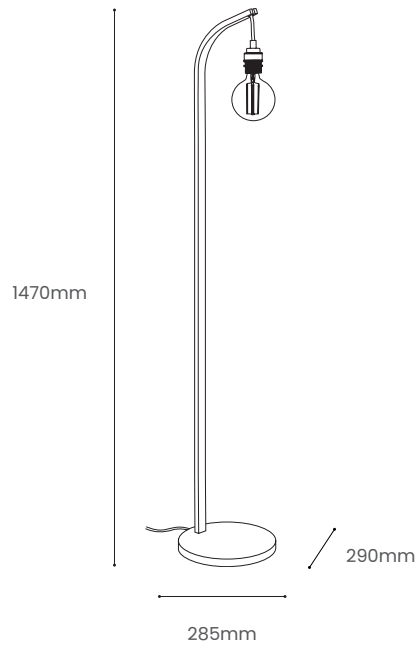


NOCTIS MOORING FLOOR LIGHT

Tom Raffield

Product Specification

Noctis Mooring Floor Light



Modern. Refined. Enticing. An arching curve of steam bent, black ebonised oak towers up from a robust circular base, to showcase an exposed bulb which casts a boundless glow. Use the statement Noctis Mooring Floor Light to add a calming glow to reading nooks, bedrooms, and hallways. This minimalist wooden floor light puts the lustre back in illumination and brings sophistication into any space.

Product Type : Floor Light	SKU	Wood types	Dimensions L x W x H (mm)		Weight (kg)	
			Unboxed	Boxed	Unboxed	Boxed
Noctis Mooring Floor Light	TR-NCT-MRG-FLR	Ebonised Wood	285 x 290 x 1470	315 x 1550 x 315	2.30	7.8
Materials	Ebonised Wood	Other materials				
		Brass Brackets		Birch ply frame		
Finish	Wooden floor stand - Finished with a blend of natural wax oils to give a protective, hardwearing and beautiful finish. Shade - Non-toxic, hard wearing water based varnish - satin					
Wiring kit options	Brass bulb holder with black inline dimmer switch and plug	Wiring kit	Flex		Recommended light bulb	
		Plastic inline foot switch	Flex colour: grey fabric			
		E27 (240v)	Cable length: 240cm from switch to bulb holder. 115cm from switch to plug.		Max 25W LED	
Care information	Dusting your light regularly and with a light feather duster should keep your light looking clean, otherwise wipe with a damp cloth and remove any moisture with a dry cloth. Gentle furniture polishes can also be used.					
Additional information	<ul style="list-style-type: none"> Suitable for use on 240v circuits. This product can be plugged straight into a 240v outlet. Assembly instructions and fixings included. 					