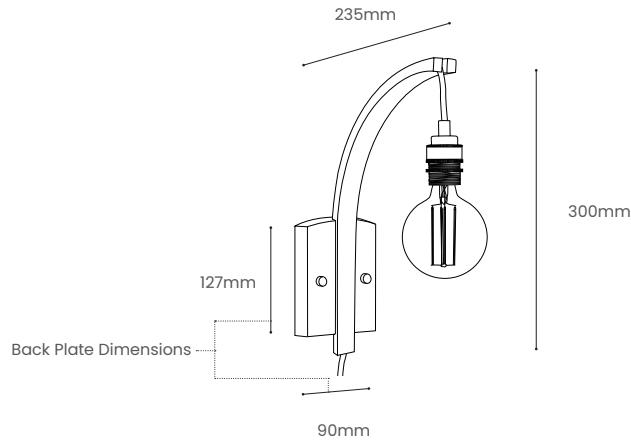


NOCTIS HANTER WALL LIGHT





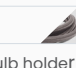
Tom Raffield

Product Specification

Noctis Hanter Wall Light



Modern. Refined. Enticing. An arching curve of steam bent, black ebonised oak arches from its roots to showcase an exposed bulb which casts a boundless glow. Use the statement Noctis Hanter Wall Light to restore calm within bustling kitchens, hallways or living spaces. This minimalist wooden wall light puts the lustre back in illumination and brings sophistication into any space.

Product Type : Wall Light	SKU	Wood types	Dimensions L x W x H (mm)		Weight (kg)	
			Unboxed	Boxed	Unboxed	Boxed
Noctis Hanter Wall Light : Hardwired	TR-NCT-HAN-WL	Ebonised Wood	90 x 300 x 235	540 x 165 x 312	0.65	1.45
Noctis Hanter Wall Light : Plug and switch	TR-NCT-HAN-WL-PLG	Ebonised Wood				
Materials	Ebonised Wood 				Other materials	
Finish	Finished with a blend of natural wax oils to give a protective, hardwearing and beautiful finish.					
Wiring kit option : 1 Hardwired	Brass bulb holder with electrical connection block 	Wiring kit option 1 connection block included E27 (240v)	Flex Flex colour: grey fabric 	Recommended light bulb Max 25W LED		
Wiring kit option : 2 Plug and switch	Brass bulb holder with black inline switch and plug 	Wiring kit option 2 Plastic inline switch E27 (240v)	Flex Flex colour: grey fabric  Cable length: 228cm from plug to bulb holder	Recommended light bulb Max 25W LED		
Care information	Dusting your light regularly and with a light feather duster should keep your light looking clean, otherwise wipe with a damp cloth and remove any moisture with a dry cloth. Gentle furniture polishes can also be used.					
Additional information	<ul style="list-style-type: none"> Suitable for use on 240v circuits. Installation instructions and fixings included. This product can be plugged straight into a 240v outlet. If hardwiring into the main supply, this product must be installed by a qualified electrician. 					

Tom Raffield Ltd, F3 Church View Business Park, Bickland Water Rd, Falmouth TR11 4FZ, UK
tomraffield.com contact@tomraffield.com +44 (0) 1326 722725 #tomraffield @tomraffield

Due to the character of handcrafted natural products, all dimensions are approximate. Wood colour may slightly vary.
All products, prices and leadtimes are correct at time of print and are subject to change without notice.