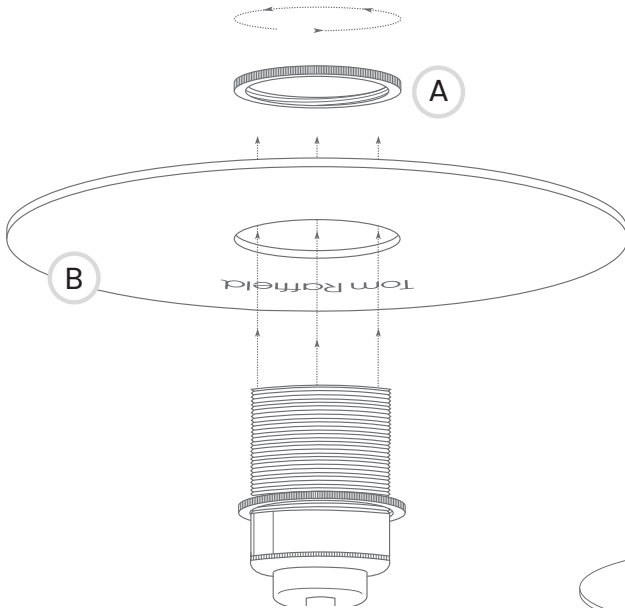
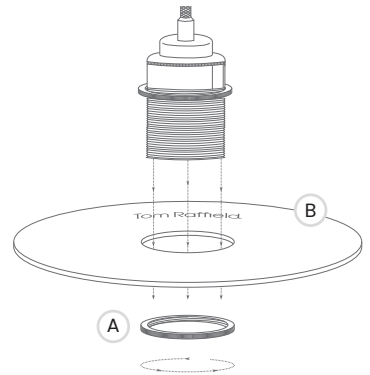


# Lampshade Fitting Instructions



**Drawing 2**



1. To fit the lampshade to the bulb holder, unscrew the shade ring (A) exposing the thread of the lamp holder. Sandwich the wooden disk (B) of the lampshade between the lamp holder and shade ring and tighten to ensure the shade is held securely.
2. Screw in your chosen light bulb. All of our lampshades have been designed to work with an **LED** bulb, up to a maximum of **25 Watts**.
3. Turn the power supply on to complete installation.

*For some lights, the bulb holder will be the opposite way up (drawing 2) however the same instructions still apply.*

\*\*\* If the external flexible cable or cord of this luminaire is damaged, it shall be exclusively replaced by the manufacturer or his service agent or a similar qualified person in order to avoid a hazard. \*\*\*

For more information on the assembly of your product: [contact@tomraffield.com](mailto:contact@tomraffield.com) +44 (0)1326 722725