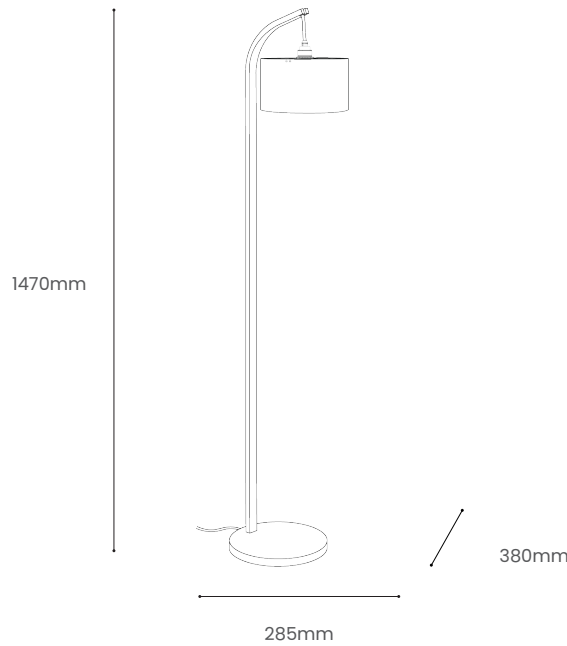


STEM FLOOR LIGHT






Product Specification

Tom Raffield

Stem Floor Light



Handcrafted in sustainably sourced solid oak, the Stem's steam bent curve arches from its roots to showcase our sleek Kanna lampshade, which creates a glowing spotlight. Use the wooden Stem Floor Light to create ambience in your living space or accentuate your reading nook. Radiating light where you need it most; this statement wooden floor light is the ultimate balance between form and function.

Product Type : Floor Light	SKU	Wood types	Dimensions L x W x H (mm)		Weight (kg)	
			Unboxed	Boxed	Unboxed	Boxed
Stem Floor Light	TR-STM-FLR-O	Oak	285 x 380 x 1470	Shade 457 x 457 x 305	2.45	Shade - 2.3 Stand - 7.8
				Stand 315 x 315 x 1550		
Materials	Oak		Other materials			
			Brass Brackets		Birch ply frame	
Finish	Wooden floor stand - Finished with a blend of natural wax oils to give a protective, hardwearing and beautiful finish. Shade - Non-toxic, hard wearing water based varnish - satin					
Wiring kit options	Brass bulb holder with black inline dimmer switch and plug 	Wiring kit	Flex	Recommended light bulb		
		Plastic inline foot switch E27 (240v)	Flex colour: grey fabric  Cable length: 240cm from switch to bulb holder. 115cm from switch to plug.	Max 25W LED		
Care information	Dusting your light regularly and with a light feather duster should keep your light looking clean, otherwise wipe with a damp cloth and remove any moisture with a dry cloth. Gentle furniture polishes can also be used.					
Additional information	<ul style="list-style-type: none"> Suitable for use on 240v circuits. This product can be plugged straight into a 240v outlet. Assembly instructions and fixings included. 					